



30

YEARS OF  
BEAUTY & INNOVATION

THE DOOR OF BEAUTY & INNOVATION



# TABLE OF CONTENTS

---

<b>INTRODUCTION</b>	<b>1-5</b>	<b>WHITE OAK SERIES</b>	<b>164-175</b>
Introduction	2-3	Door Specs	165-171
Plastpro's Quality	4	Sidelite Specs	172-174
Door Specifications	5		
<b>LIMITED SERIES</b>	<b>6-9</b>	<b>ONELITE SERIES</b>	<b>176-183</b>
Door Specs	7-8	Door Specs	177-182
		Sidelite Specs	183
<b>MODERN SERIES</b>	<b>10-17</b>	<b>NOVA SERIES</b>	<b>184-199</b>
Door Specs	11-17	Door Specs	185-190
		Sidelite Specs	191-194
<b>CRAFTSMAN SERIES</b>	<b>18-45</b>	Accessory Specs	195-199
Door Specs	19-30		
Sidelite Specs	31-38	<b>DOORLITE SERIES</b>	<b>200-204</b>
Accessory Specs	39-44	Glass Sizes & Cutout Codes	201
		Glass Size Charts	202-203
<b>RUSTIC SERIES</b>	<b>46-63</b>	Solution Doorlite Series	204
Door Specs	47-58		
Sidelite Specs	59	<b>TESTING RESULTS</b>	<b>205</b>
Accessory Specs	60-63		
<b>MAHOGANY SERIES</b>	<b>64-73</b>		
Door Specs	65-69		
Sidelite Specs	70-72		
<b>OAK SERIES</b>	<b>74-113</b>		
Door Specs	75-100		
Sidelite Specs	101-112		
Accessory Specs	113		
<b>SMOOTH SERIES</b>	<b>114-163</b>		
Door Specs	115-148		
Sidelite Specs	149-160		
Accessory Specs	161-162		



## ABOUT PLASTPRO

Doors are often chosen for their aesthetic qualities; however, their purposes strive beyond simply adding a cohesive look to our homes. They reflect our style, grant privacy, and offer protection for the people we value most in our lives. Our front doors are the gateway for welcoming guests, loved ones, and friends. From ushering us into the start of the day and later welcoming us back, doors are an essential and inviting piece to every house. We want you to choose a door that guarantees security, accommodates your needs, and most importantly, best represents you.

Since 1994, Plastpro has always believed in providing a superior product with the best value, technology and commitment to our customers. We know how important it is to provide quality service and valuable resources to those in the industry. Wood and steel doors were historically preferred in the industry, but both come with long-term problems. Wood doors are susceptible to rot, warp, mildew and weather damage which require extensive maintenance to prevent these issues. Steel doors can be cost effective, but can easily damage, dent, ding, and rust requiring the steel door to be replaced more frequently negating any initial savings. Fortunately, Plastpro's fiberglass doors have become the best modernized solution for these longevity issues. They withstand weather damage, require minimal maintenance, and offer higher performance ratings. Our exclusive HydroShield Technology protects our doors against moisture and humidity infiltration by creating a fully composite barrier that encases and protects the door on all six sides. Plastpro doors' internal polyurethane foam serves as a strong insulation from the outdoor elements of cold and heat. We are the first company to introduce our signature fiberglass doors with composite stiles and rails, which have twice the screw-holding strength of wood. Plastpro doors feature a full length LVL (Laminated Veneer Lumber) block that provides stronger structural integrity and allows a range of door locks and hardware to be installed for increased security. We also offer our uniquely formulated PF (Polyfiber) Frames as a structurally sound and longer-lasting alternative to traditional door jambs. With both a Plastpro door and PF Frame, you create an impenetrable entryway. Plastpro products have the durability and design to protect any home.

From the beginning, we've been dedicated to providing superior products and supporting the lower income infrastructures of our society. We believe in making a difference in the world by creating authentic, positive change for our employees, customers and communities. We've continuously partnered with Habitat for Humanity to create affordable, green houses for low-income families across the nation. More than 500 doors have been donated from Plastpro to various chapters of Habitat for Humanity and other non-profit organizations. When you buy from Plastpro, not only do you acquire a quality door, you also aid us in giving back to others.

## WARRANTY

We are proud to offer one of the best warranties in the industry. Plastpro products are held to high standards. We stand behind our products and guarantee the best quality to meet your performance expectations.

## TECHNOLOGY

Plastpro brings the latest technological advancements to the industry to meet the needs of our customers. Our commitment to quality is backed by extensive research and vertical integration, ensuring consistently innovative products. Through vertical integration, we control each stage of development, prioritizing improvement from raw materials to the finished product. Since the opening of our Ashtabula, Ohio plant in 2005, Plastpro has achieved even greater quality control, as well as the flexibility to create new products to better react to market need and demand. We're able to offer homeowners the widest possible choice of product designs and sizes. From our design process, to the assembly and delivery of our products, Plastpro ensures everything we do meets our rigorous standards. We have built a reputation for offering the best quality and innovative products through extensive research and technological developments.

## SUSTAINABILITY

Plastpro also does our part to preserve the environment by creating sustainable products. For us, sustainability means balancing our environmental, economic, and social goals. Fiberglass is a natural choice for consumers seeking green, sustainable building materials.

Our fiberglass doors are a great, green alternative because they are durable, have a longer lifespan, are energy efficient, and environmentally friendly. We are especially proud of our proprietary foam core- not only does it provide superior insulation, it is compliant with the Environmental Protection Agency's SNAP 20 regulations for cleaner air, contains no Volatile Organic Compounds, and makes use of more sustainable alternatives for foam blowing agents when possible- both zero-ozone-depleting blowing agents and low Global Warming Potential (GWP) blowing agents.

And we can't leave out our fiberglass itself: the material is designed to last for decades and is impervious to time, temperature, and corrosive agents, leading to less waste. The longer lifecycle of the fiberglass material also makes Plastpro doors more cost effective and reduces the amount of resources needed for manufacturing. Plastpro doors require less maintenance than traditional wood doors, which consumes a large part of a building's budget. Over a building's lifetime, maintenance can easily exceed the original construction costs.

## ENERGY EFFICIENT

Plastpro is committed to providing sustainable products for our customers while maintaining the integrity and balance of natural resources. Choosing a Plastpro door means selecting the best value for you, while minimizing your long-term environmental impact.

Fiberglass doors are one of the most energy-efficient building products available on the market. Our fiberglass doors maximize insulation with high-density, polyurethane foam cores. Thorough insulation is one of the best ways to reduce energy consumption and building operation costs by sealing out the elements. Therefore, our ENERGY STAR Qualified Doors offer homeowners savings by conserving electricity and lowering bills, while also improving comfort and helping protect the environment.

## SECURITY

As a door company, one of our most important goals is providing families with safe homes, which is why the anatomy of our fiberglass doors has been thoughtfully designed to provide one of the most secure doors on the market. Fiberglass doors are much less likely to be dented or damaged by impact compared to their wood counterparts. Plastpro's door skins are manufactured with SMC skin technology, a glass fiber reinforced polyester material that is even stronger than standard fiberglass- making our doors extremely resistant against outside force. Meanwhile, the inside of a Plastpro door is filled with high-density foam that provides firm structural support due to its rigid, tight packing.

Plastpro's doors are also equipped with a full-length lockblock made of laminated veneer lumber (LVL). Most other fiberglass doors have lockblocks that only surround the immediate 18- 20" vicinity of the lock, and the rest of the space above and below is filled in with foam. However, our lumber runs the full vertical length of the door, providing additional rigidity that prevents the door from being kicked in by an intruder or blown in by severe weather. Additionally, the LVL material will absorb bendable stress without snapping, unlike a wood material. Of course, the extended lockblock length also adds holding strength for the lock and can easily accommodate any lock or additional hardware you choose.

# PLASTPRO'S QUALITY

## PATENTED HYDROSHIELD™ TECHNOLOGY

Our exclusive HydroShield Technology protects our doors against moisture and humidity infiltration by creating a fully composite barrier that encases and protects the door on all six sides. It prevents warping, delamination, corrosion, rotting, and the buildup of mold and mildew. When paired with our PF (Polyfiber) Door Frames, our doors with HydroShield Technology create an impenetrable entryway.



### 1 FIBERGLASS REINFORCED DOOR SKIN

Our exclusive formula is measured precisely to ensure each skin is produced to the highest quality. We offer many design options, including customizable panel configurations. The skins require little maintenance and will not splinter, dent, warp, rot, or rust. Choose a door skin from a variety of grains that can be painted or stained.

### 2 FULL-LENGTH COMPOSITE STILES

Our full-length, composite stiles protect the door from external moisture to prevent warping or rotting. They have twice the screw-holding strength of wood.

### 3 COMPOSITE TOP & BOTTOM RAILS

High-strength, composite top and bottom rails prevent moisture from seeping into the door and prevent the buildup of mold.

### 4 EXTENDED LOCKBLOCK

Plastpro's full-length LVL allows any type of lock to be placed for increased security. Our 8/0 doors have a steel bar in addition to the LVL to help increase the structure's rigidity.

### 5 POLYURETHANE FOAM CORE

Our advanced, CFC-free, high-density, polyurethane foam core enhances the door's soundproofing capabilities and provides insulation up to six times greater than wood doors.



## BACKED BY WARRANTY

We are proud to offer one of the best warranties in the industry. Plastpro products are held to high standards. We stand behind our products and guarantee the best quality to meet your performance expectations.

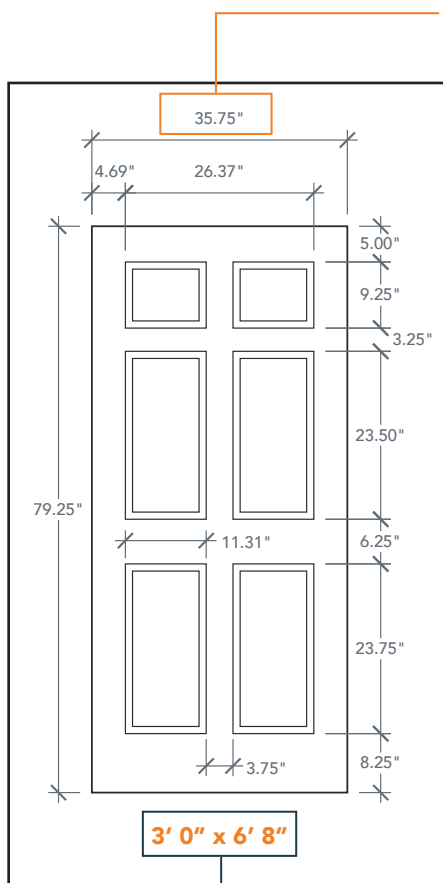
# DOOR SPECIFICATIONS

PLASTPRO DOOR SIZES				
WIDTH		X	HEIGHT	
2' 0"	23 ¾"		X	6' 8"
2' 4"	27 ¾"	7' 0"		83 ¼"
2' 6"	29 ¾"	8' 0"		95 ¼"
2' 8"	31 ¾"			
2' 10"	33 ¾"			
3' 0"	35 ¾"			
3' 6"	41 ¾"			

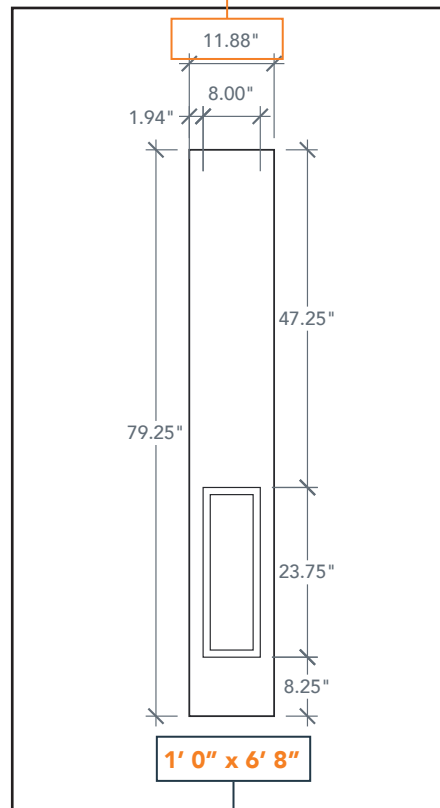
- Nominal Size
  - Actual Size
- Door Thickness: 1 ¾"

PLASTPRO SIDELITE SIZES				
WIDTH		X	HEIGHT	
1' 0"	11 ⅞"		X	6' 8"
1' 2"	13 ⅞"	7' 0"		83 ¼"
		8' 0"		95 ¼"

- Nominal Size
  - Actual Size
- Sidelite Thickness: 1 ¾"



ACTUAL SIZE



NOMINAL SIZE

## LIMITED SERIES

Luxury and richness are the perfect words that come to mind when describing Plastpro's Limited Series graining. This line adds a whole new meaning to beauty, especially with our Knotty Adler model, which features a rich, grain patterned with knots. Additionally, our Teak model, has earned a spot in being a worldwide favorite for its divine, straight yet occasionally wavy or interlocked grain patterns. Selecting a door that gives a natural luster and deluxe feeling will be effortless and, in turn, you'll be walking away with an entryway you'd have to see to believe.

**PG 6 - 9**

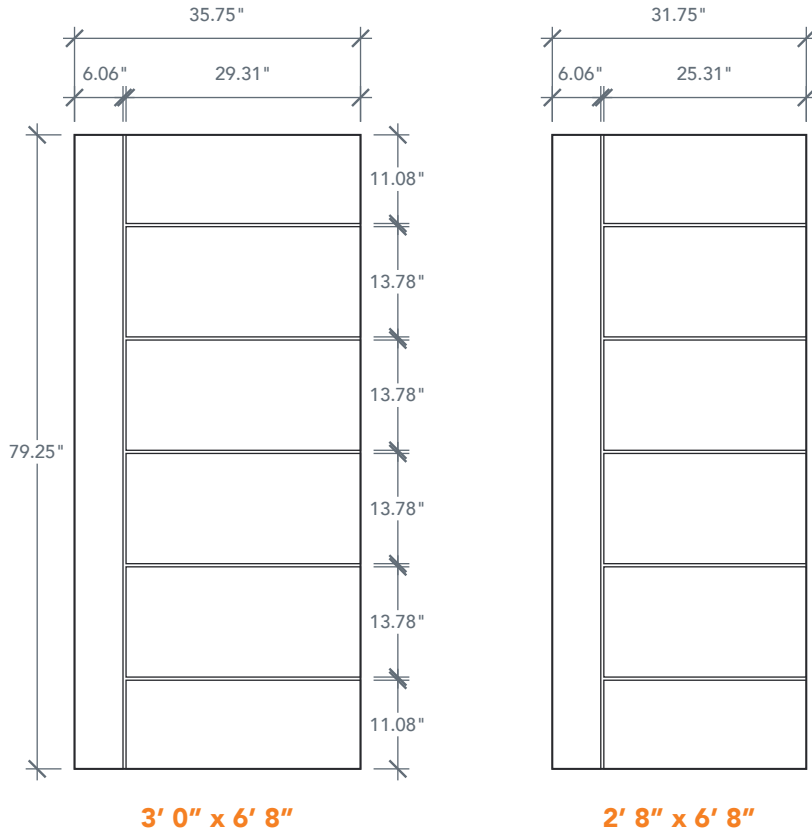


# 6'8" DMT51 MILAN DOOR

TEAK GRAIN

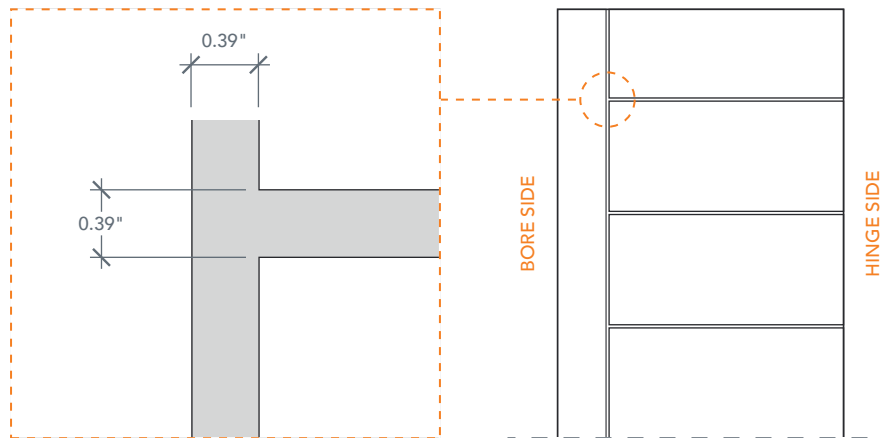
## AVAILABLE SIZING

ARTWORK SCALE: 1/2"=1'



NOTE: BY REQUEST, DOOR HEIGHT COMES IN VARYING DIMENSIONS TO A MINIMUM OF 79". EXCESS WILL BE TAKEN FROM BOTTOM RAIL. ALL OTHER DIMENSIONS WILL REMAIN THE SAME.

## CARVING DETAIL CLOSE UP



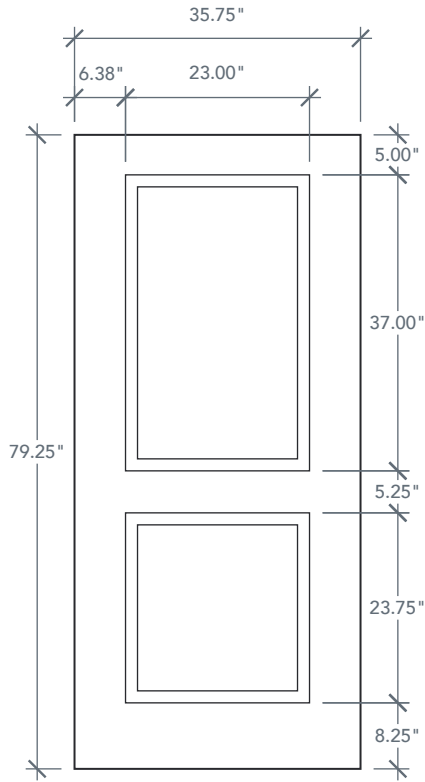
# 6'8" DRK2B TWO PANEL DOOR

KNOTTY ALDER

SQUARE PANEL & SQUARE TOP

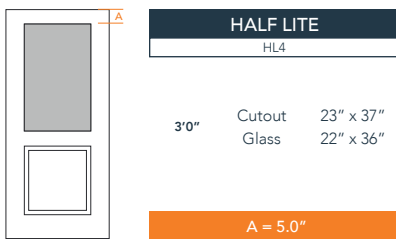
## AVAILABLE SIZING

ARTWORK SCALE: 1/2"=1'

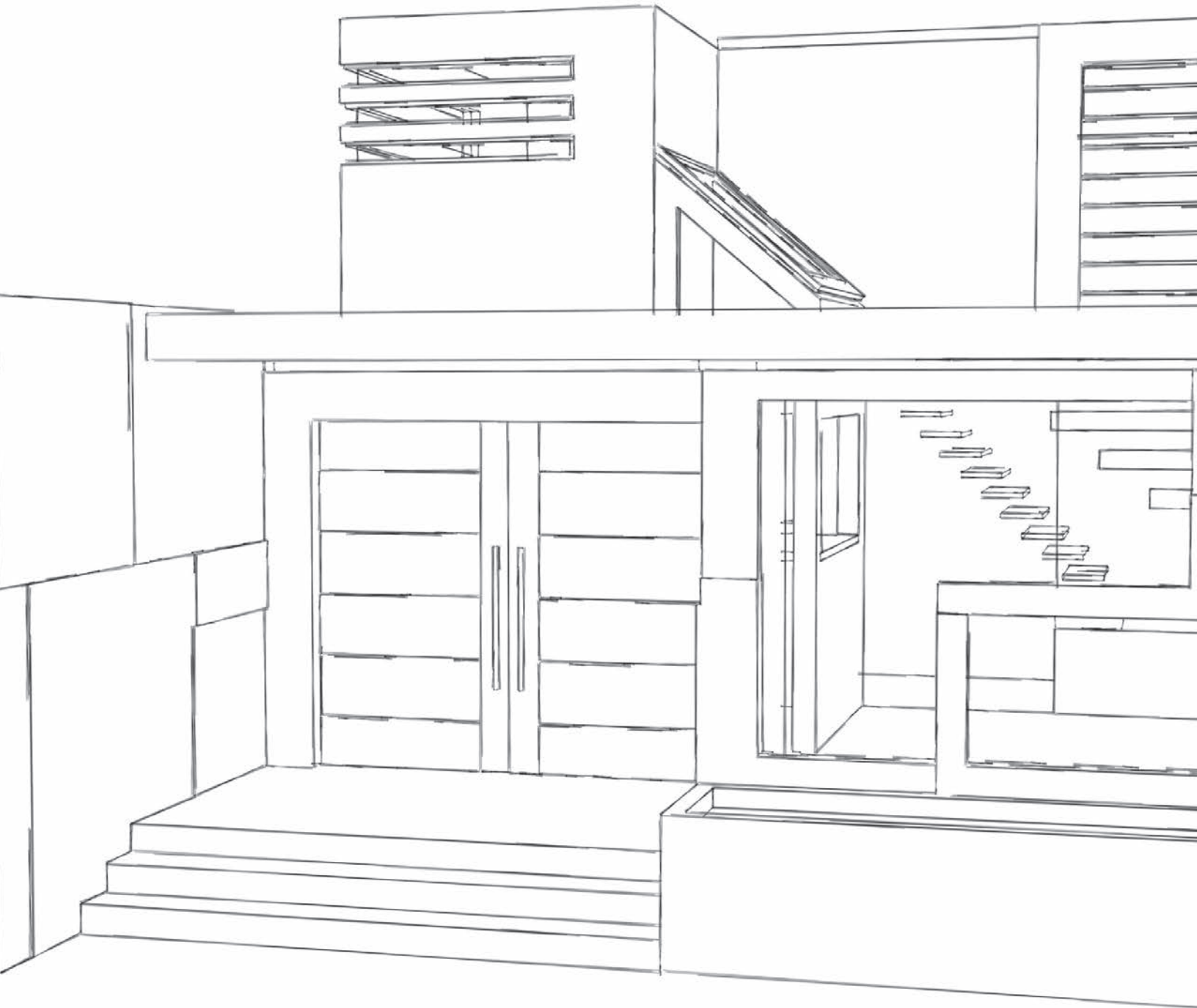


**3' 0" x 6' 8"**

NOTE: BY REQUEST, DOOR HEIGHT COMES IN VARYING DIMENSIONS TO A MINIMUM OF 79". EXCESS WILL BE TAKEN FROM BOTTOM RAIL. ALL OTHER DIMENSIONS WILL REMAIN THE SAME.



A = DISTANCE FROM TOP OF DOOR TO TOP OF OPENING



## MODERN SERIES

There's something special about a clean, minimalistic modern look that magically draws us in, which explains why Plastpro had to launch the compelling Modern Series. An effortless, contemporary door design that makes any home's exterior profoundly refreshing. It all makes sense why this series lies in popular demand. Available in our oak grain and smooth doors, our simple panel details and single patterned glass adds a sharp flare to upscale the look of any home.

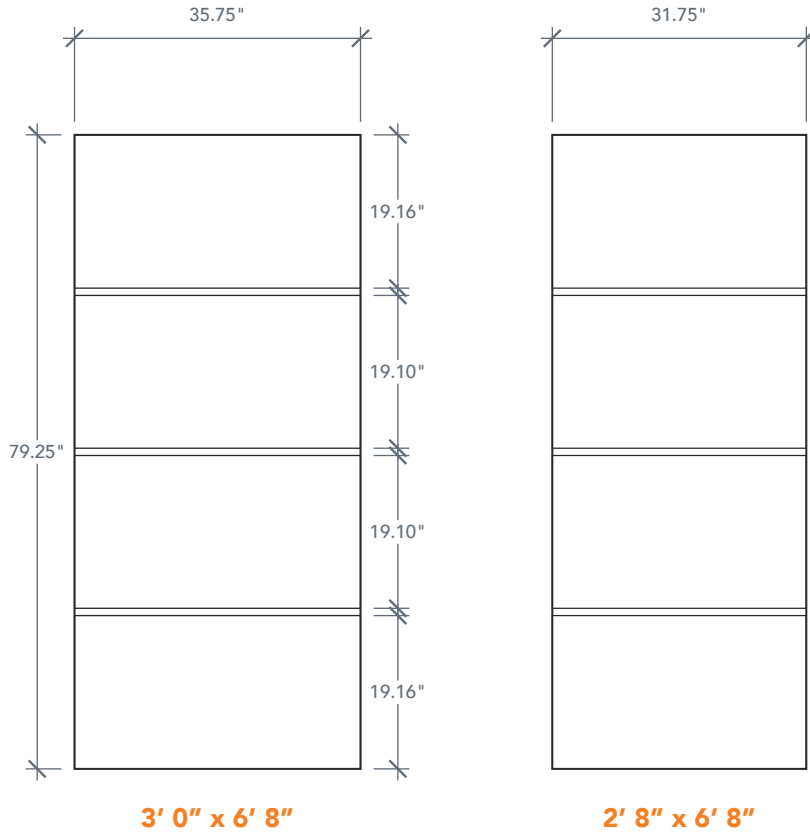
PG 10 - 17

# 6'8" DMG46 SOUTH BEACH DOOR

OAK GRAIN

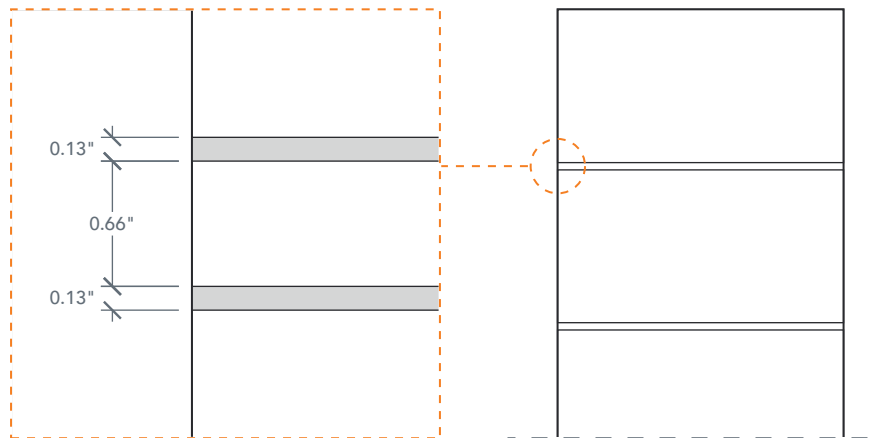
## AVAILABLE SIZING

ARTWORK SCALE: 1/2"=1'



NOTE: BY REQUEST, DOOR HEIGHT COMES IN VARYING DIMENSIONS TO A MINIMUM OF 79". EXCESS WILL BE TAKEN FROM BOTTOM RAIL. ALL OTHER DIMENSIONS WILL REMAIN THE SAME.

## CARVING DETAIL CLOSE UP

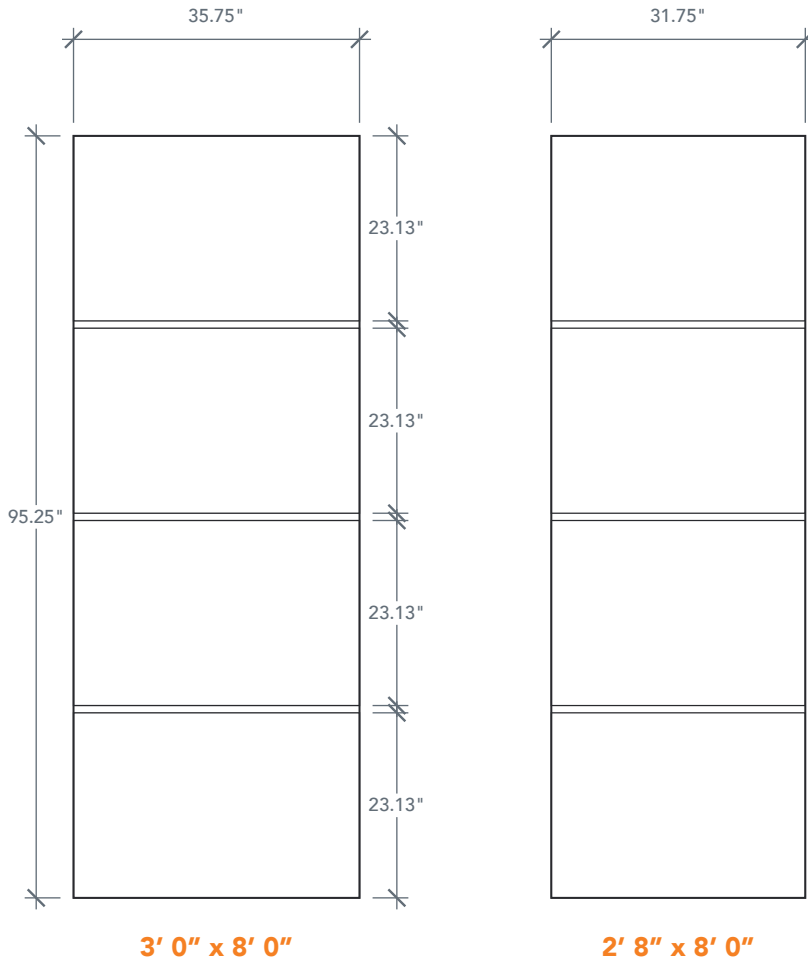


# 8'0" DMG4680 SOUTH BEACH DOOR

OAK GRAIN

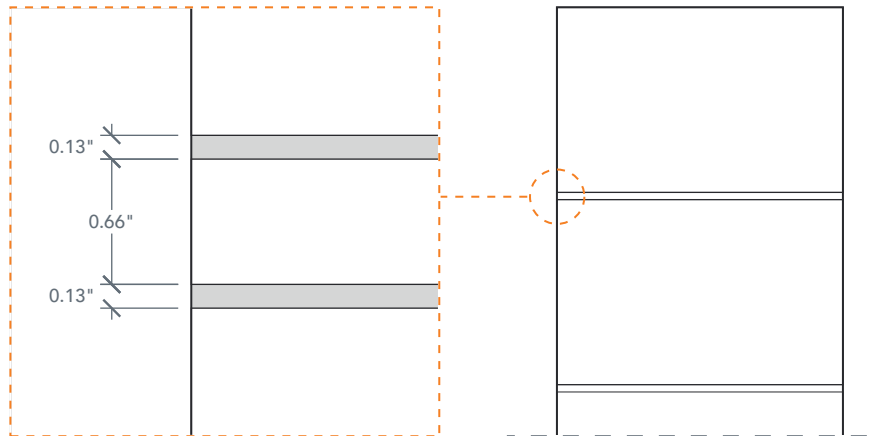
## AVAILABLE SIZING

ARTWORK SCALE: 1/2"=1'



NOTE: BY REQUEST, DOOR HEIGHT COMES IN VARYING DIMENSIONS TO A MINIMUM OF 95". EXCESS WILL BE TAKEN FROM BOTTOM RAIL. ALL OTHER DIMENSIONS WILL REMAIN THE SAME.

## CARVING DETAIL CLOSE UP

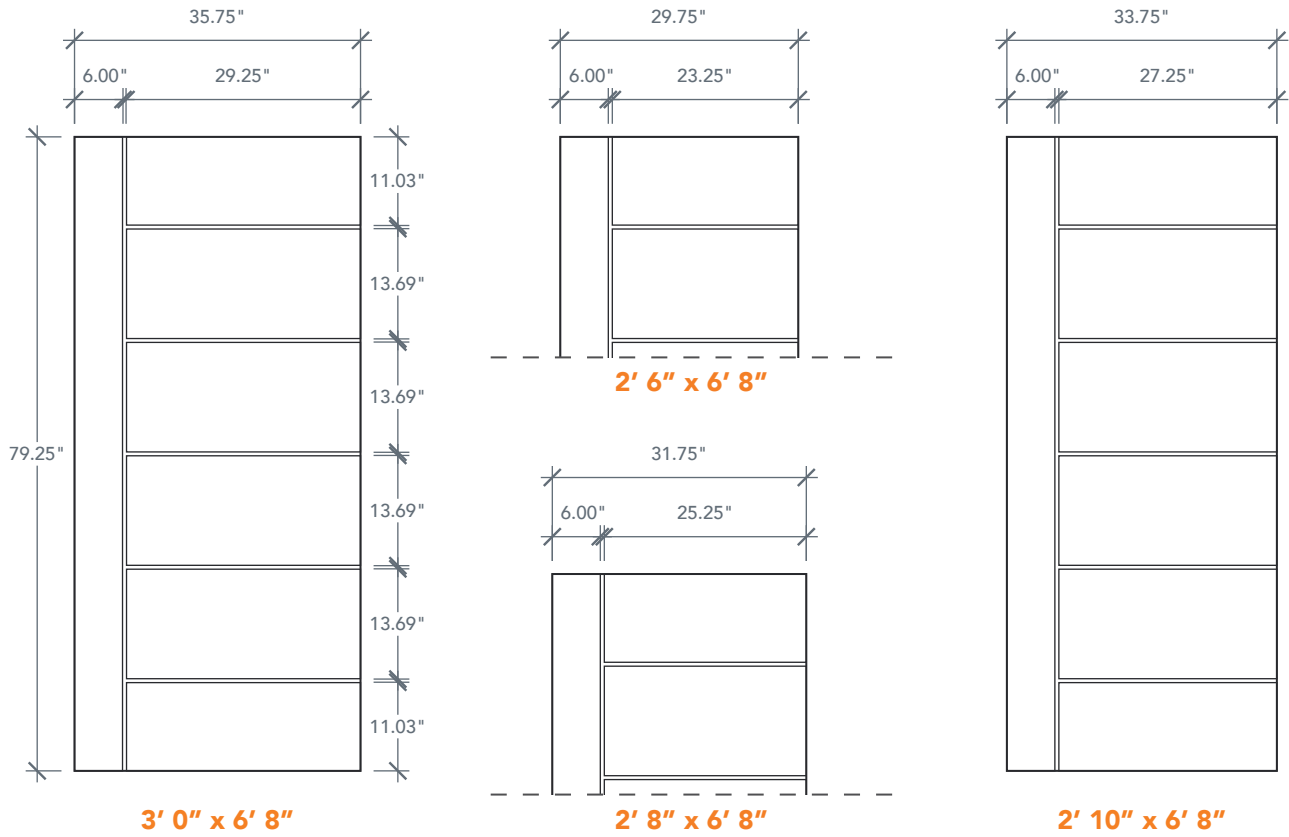


# 6'8" DMG51 NAPOLI DOOR

OAK GRAIN

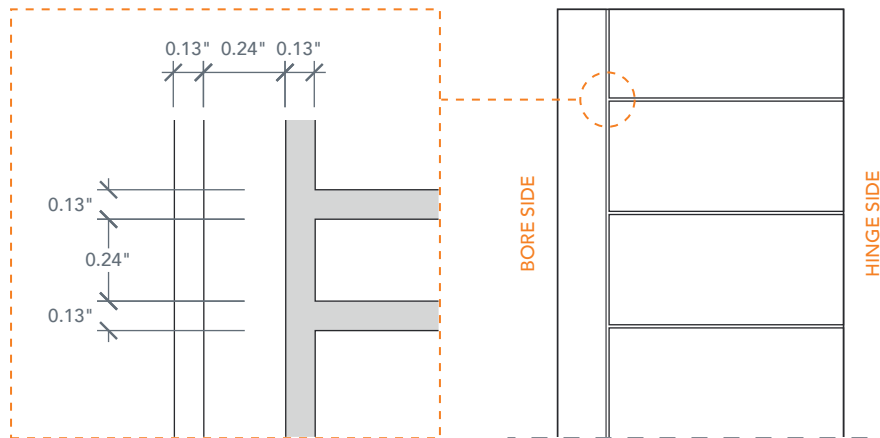
## AVAILABLE SIZING

ARTWORK SCALE: 1/2"=1'



NOTE: BY REQUEST, DOOR HEIGHT COMES IN VARYING DIMENSIONS TO A MINIMUM OF 79". EXCESS WILL BE TAKEN FROM BOTTOM RAIL. ALL OTHER DIMENSIONS WILL REMAIN THE SAME.

## CARVING DETAIL CLOSE UP

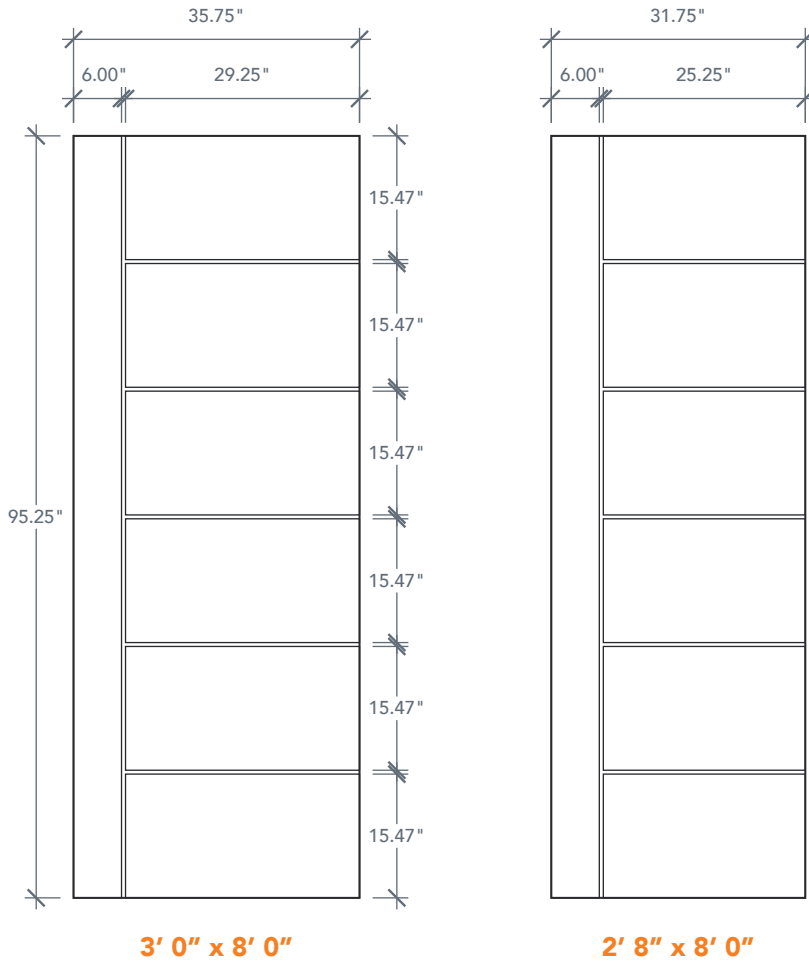


# 8'0" DMG5180 NAPOLI DOOR

OAK GRAIN

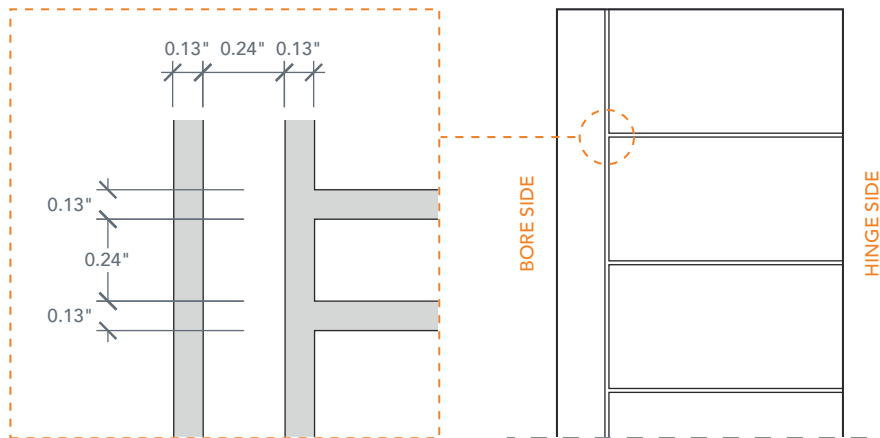
## AVAILABLE SIZING

ARTWORK SCALE: 1/2"=1'



NOTE: BY REQUEST, DOOR HEIGHT COMES IN VARYING DIMENSIONS TO A MINIMUM OF 95". EXCESS WILL BE TAKEN FROM BOTTOM RAIL. ALL OTHER DIMENSIONS WILL REMAIN THE SAME.

## CARVING DETAIL CLOSE UP





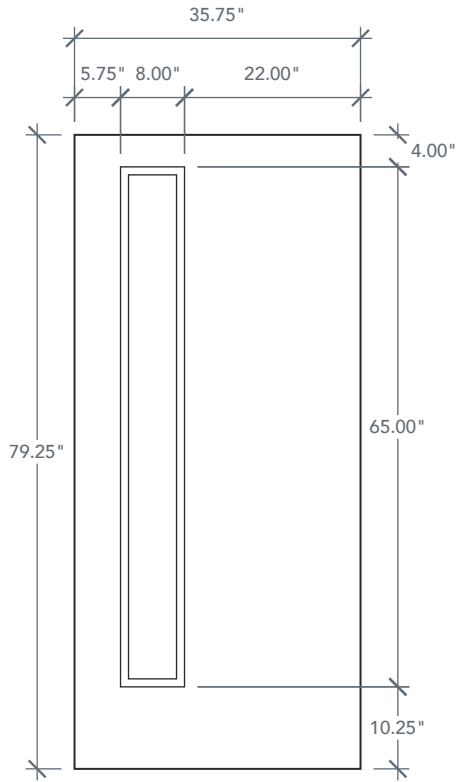
# 6'8" DMS1L BIENVENUE DOOR

SMOOTH SKIN

FLUSH GLAZED LEFT LITE

## AVAILABLE SIZING

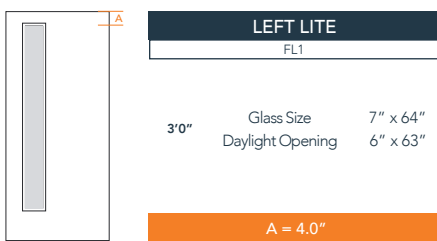
ARTWORK SCALE: 1/2"=1'



**3' 0" x 6' 8"**

NOTE: BY REQUEST, DOOR HEIGHT COMES IN VARYING DIMENSIONS TO A MINIMUM OF 79". EXCESS WILL BE TAKEN FROM BOTTOM RAIL. ALL OTHER DIMENSIONS WILL REMAIN THE SAME.

## GLASS & DAYLIGHT OPENING



A = DISTANCE FROM TOP OF DOOR TO TOP OF OPENING

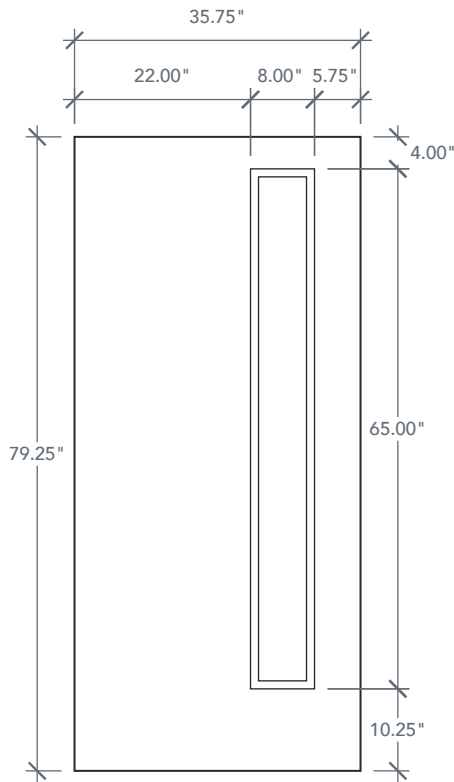
# 6'8" DMS1R BIENVENUE DOOR

SMOOTH SKIN

FLUSH GLAZED RIGHT LITE

## AVAILABLE SIZING

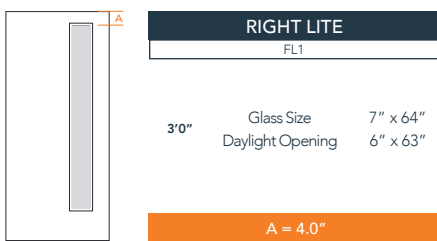
ARTWORK SCALE: 1/2"=1'



**3' 0" x 6' 8"**

NOTE: BY REQUEST, DOOR HEIGHT COMES IN VARYING DIMENSIONS TO A MINIMUM OF 79". EXCESS WILL BE TAKEN FROM BOTTOM RAIL. ALL OTHER DIMENSIONS WILL REMAIN THE SAME.

## GLASS & DAYLIGHT OPENING



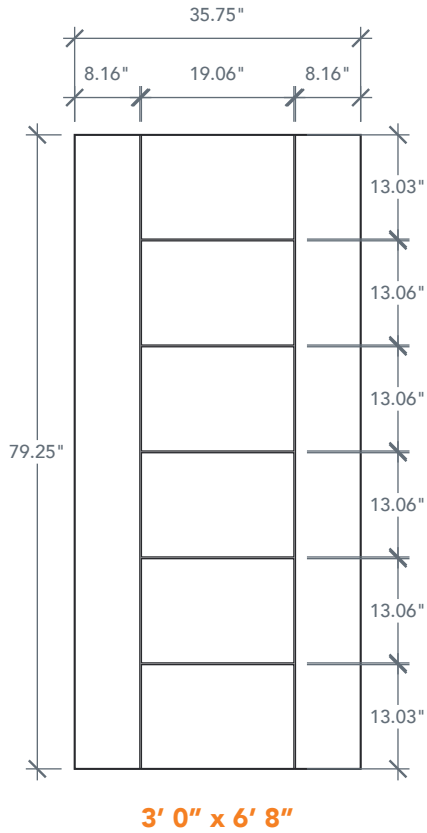
A = DISTANCE FROM TOP OF DOOR TO TOP OF OPENING

# 6'8" DMS5H INFINITY DOOR

SMOOTH SKIN

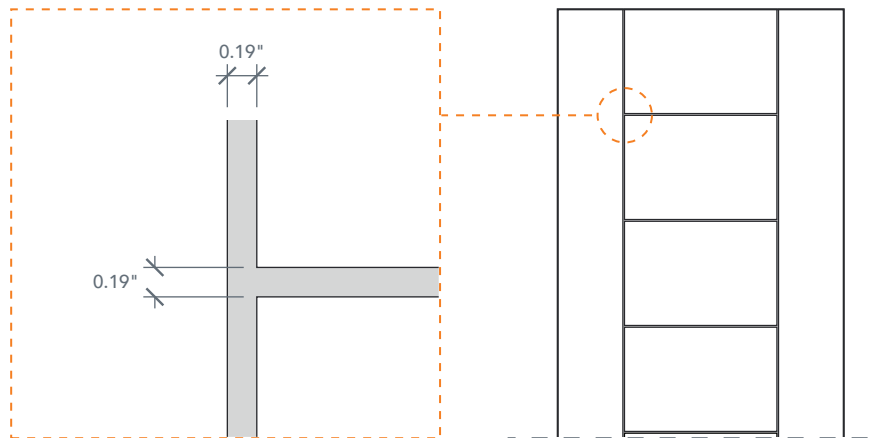
AVAILABLE SIZING

ARTWORK SCALE: 1/2"=1'



NOTE: BY REQUEST, DOOR HEIGHT COMES IN VARYING DIMENSIONS TO A MINIMUM OF 79". EXCESS WILL BE TAKEN FROM BOTTOM RAIL. ALL OTHER DIMENSIONS WILL REMAIN THE SAME.

## CARVING DETAIL CLOSE UP



## CRAFTSMAN SERIES

If you're an old soul who wishes to keep up with the latest trends, The Craftsman Series is certainly your best bet. This series applies the most notable elements from 19th and 20th century architecture by blessing your home with a historical essence while still maintaining its modern appeal. Our traditional styles and flat panels successfully complement our selection of Ovolo profiles, Shaker profiles, and sleek direct glazed options. Don't miss out on the wonderfully crafted Fir and Smooth graining options available in this line as well. Still searching for more? Check out our limited edition Dentil Shelf and Simulated Divided Lights "SDL" Kits that serve as the perfect accessories to perfect an entryway that symbolizes you.

**PG 19 - 45**

# 6'8" DRS1K/DRF1K ONE PANEL DOOR

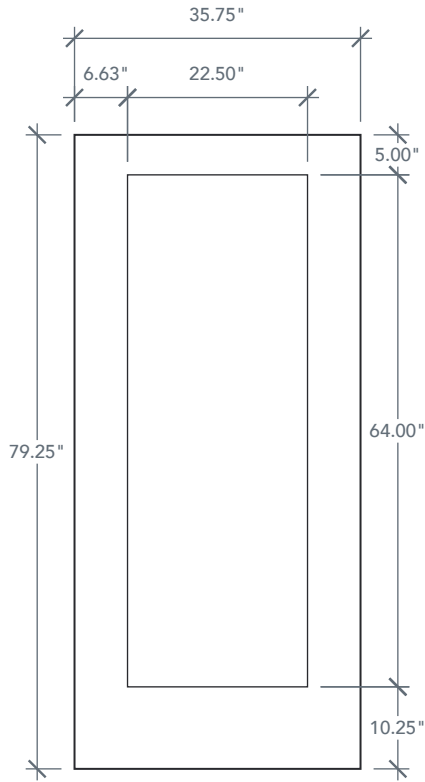
SMOOTH

FIR

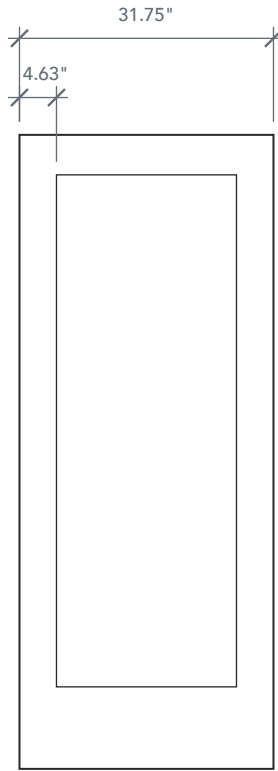
SHAKER PROFILE

## AVAILABLE SIZING

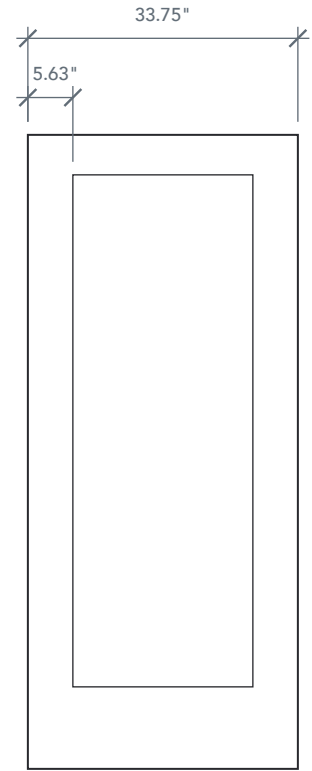
ARTWORK SCALE: 1/2"=1'



**3' 0" x 6' 8"**



**2' 8" x 6' 8"**



**2' 10" x 6' 8"**

NOTE: BY REQUEST, DOOR HEIGHT COMES IN VARYING DIMENSIONS TO A MINIMUM OF 79". EXCESS WILL BE TAKEN FROM BOTTOM RAIL. ALL OTHER DIMENSIONS WILL REMAIN THE SAME.

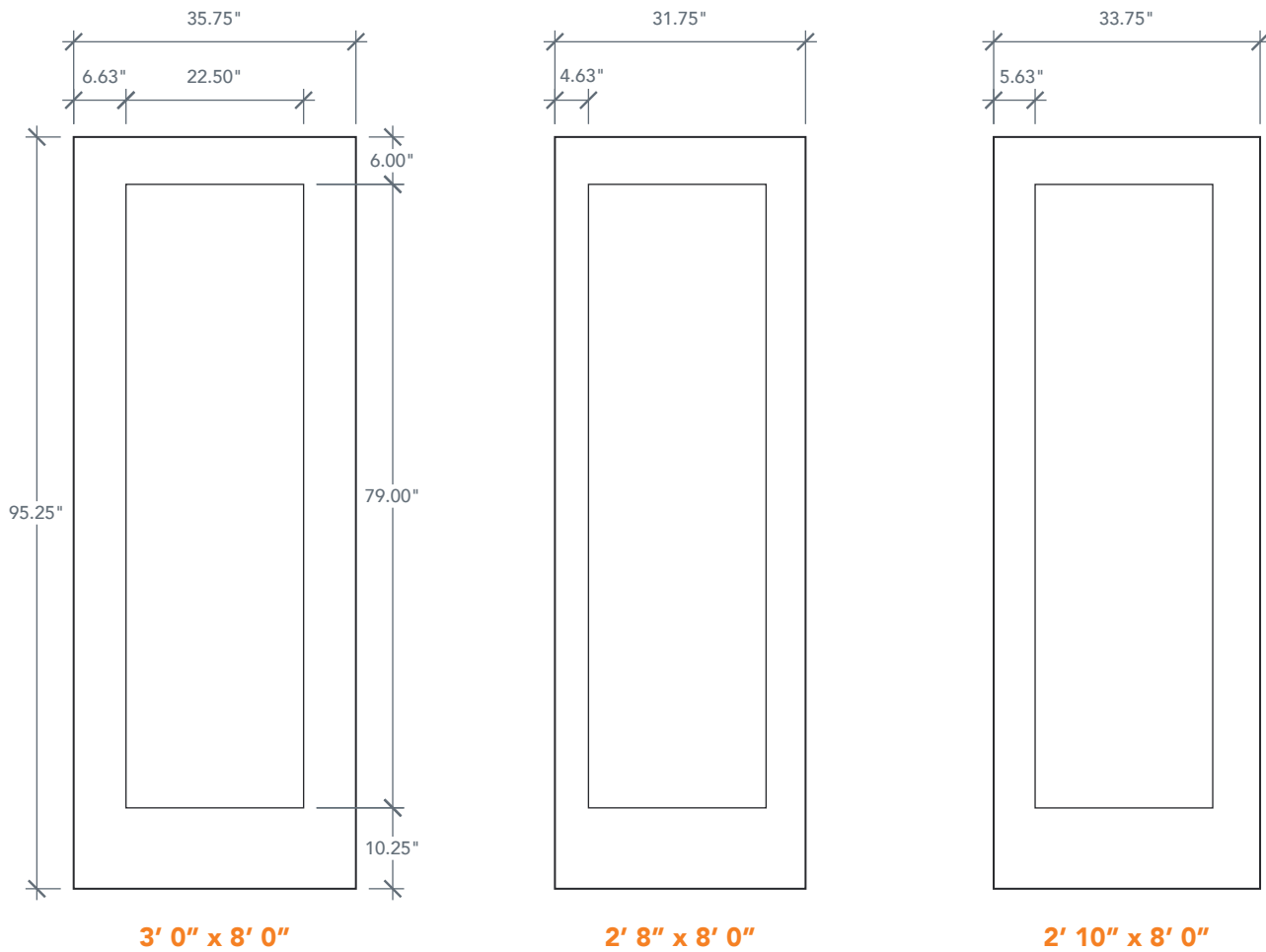
# 8'0" DRS1K80 ONE PANEL DOOR

SMOOTH

SHAKER PROFILE

## AVAILABLE SIZING

ARTWORK SCALE: 1/2"=1'



NOTE: BY REQUEST, DOOR HEIGHT COMES IN VARYING DIMENSIONS TO A MINIMUM OF 95". EXCESS WILL BE TAKEN FROM BOTTOM RAIL. ALL OTHER DIMENSIONS WILL REMAIN THE SAME.

# 6'8" DRS2K/DRF2K TWO PANEL DOOR

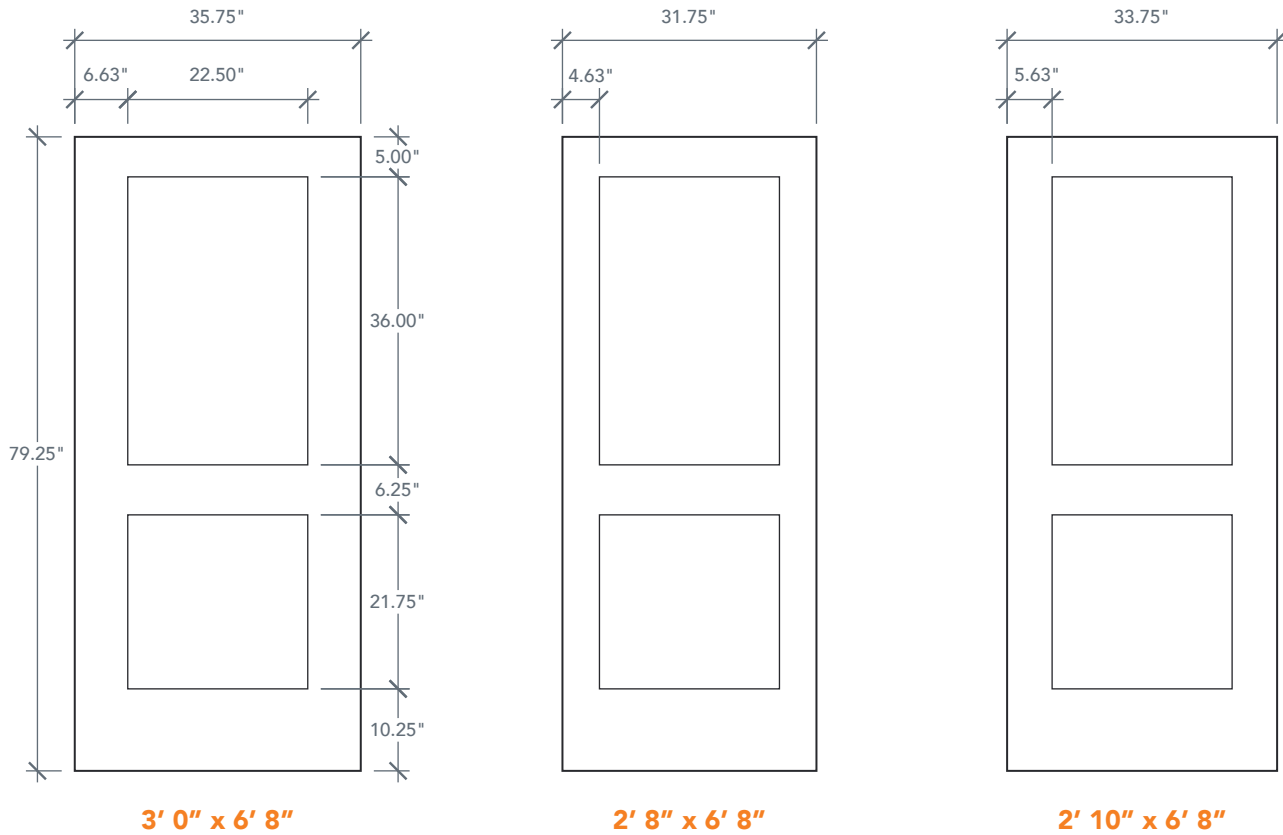
SMOOTH

FIR

SHAKER PROFILE

## AVAILABLE SIZING

ARTWORK SCALE: 1/2"=1'



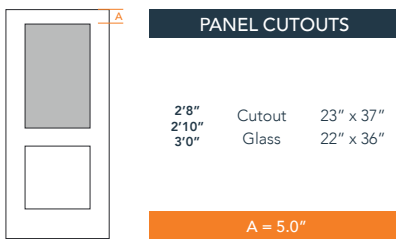
**3' 0" x 6' 8"**

**2' 8" x 6' 8"**

**2' 10" x 6' 8"**

NOTE: BY REQUEST, DOOR HEIGHT COMES IN VARYING DIMENSIONS TO A MINIMUM OF 79". EXCESS WILL BE TAKEN FROM BOTTOM RAIL. ALL OTHER DIMENSIONS WILL REMAIN THE SAME.

## CUTOUTS & GLASS



A = DISTANCE FROM TOP OF DOOR TO TOP OF OPENING.

NOTE: PLASTPRO DOES NOT PROVIDE PRE-CUT CONFIGURATION SERVICE FOR THIS DOOR. ADD-IN LITE FRAME AVAILABLE IN SOLUTION DOORLITE SERIES.

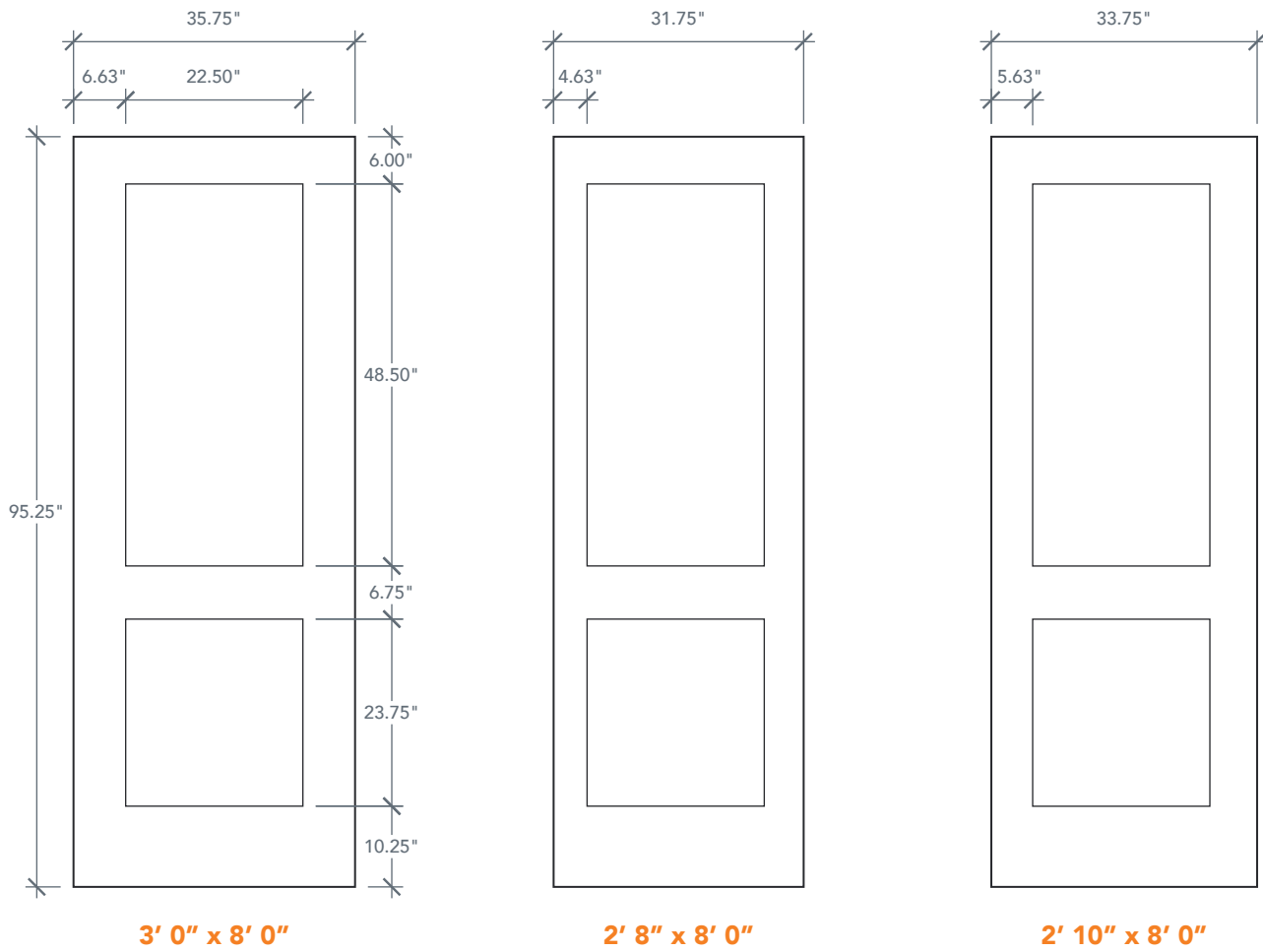
# 8'0" DRS2K80 TWO PANEL DOOR

SMOOTH

SHAKER PROFILE

## AVAILABLE SIZING

ARTWORK SCALE: 1/2"=1'



NOTE: BY REQUEST, DOOR HEIGHT COMES IN VARYING DIMENSIONS TO A MINIMUM OF 95". EXCESS WILL BE TAKEN FROM BOTTOM RAIL. ALL OTHER DIMENSIONS WILL REMAIN THE SAME.



# 6'8" DRS3C/DRF3C DIRECT GLAZED CRAFTSMAN

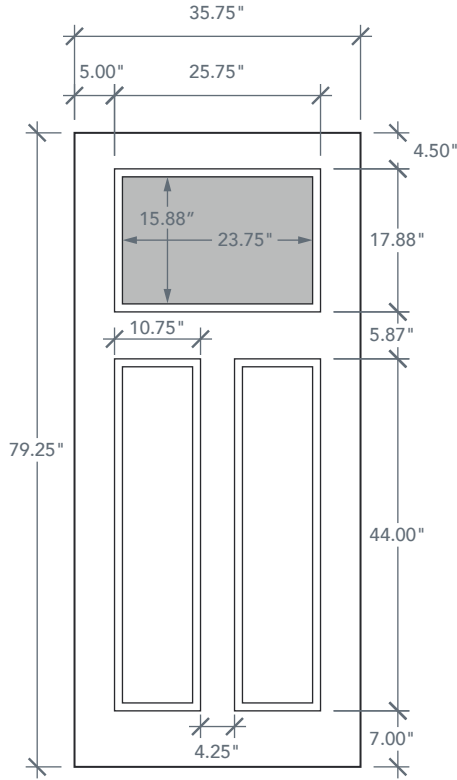
SMOOTH

FIR

OVOLO PROFILE

## AVAILABLE SIZING

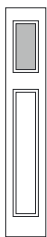
ARTWORK SCALE: 1/2"=1'



**3' 0" x 6' 8"**

NOTE: BY REQUEST, DOOR HEIGHT COMES IN VARYING DIMENSIONS TO A MINIMUM OF 79". EXCESS WILL BE TAKEN FROM BOTTOM RAIL. ALL OTHER DIMENSIONS WILL REMAIN THE SAME.

## MATCHING SIDELITES



SLS3C/SLF3C

Available Widths:

1' 0"

1' 2"

Spec Page = 31

# 8'0" DRS3C80/DRF3C80 DIRECT GLAZED CRAFTSMAN

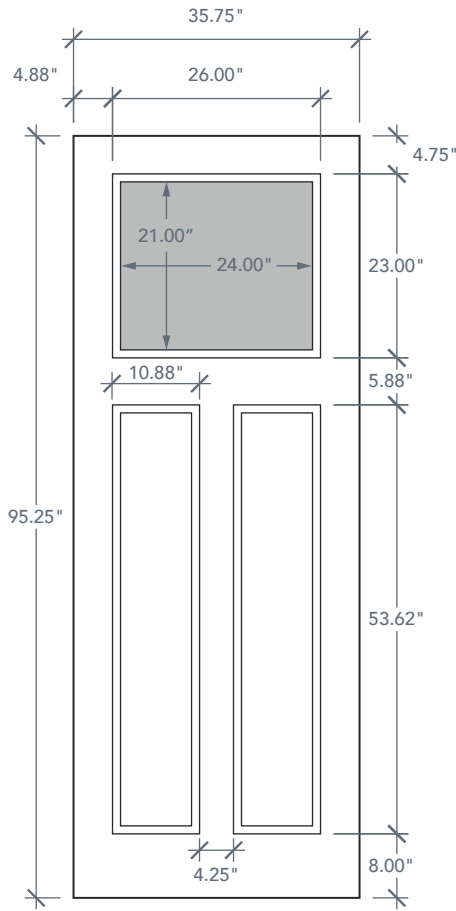
SMOOTH

FIR

OVOLO PROFILE

## AVAILABLE SIZING

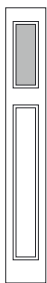
ARTWORK SCALE: 1/2"=1'



**3' 0" x 8' 0"**

NOTE: BY REQUEST, DOOR HEIGHT COMES IN VARYING DIMENSIONS TO A MINIMUM OF 95". EXCESS WILL BE TAKEN FROM BOTTOM RAIL. ALL OTHER DIMENSIONS WILL REMAIN THE SAME.

## MATCHING SIDELITE



SLS3C80/SLF3C80

Available Widths:

1' 0"

1' 2"

Spec Page = 32

# 6'8" DRS3F/DRF3F THREE PANEL CRAFTSMAN

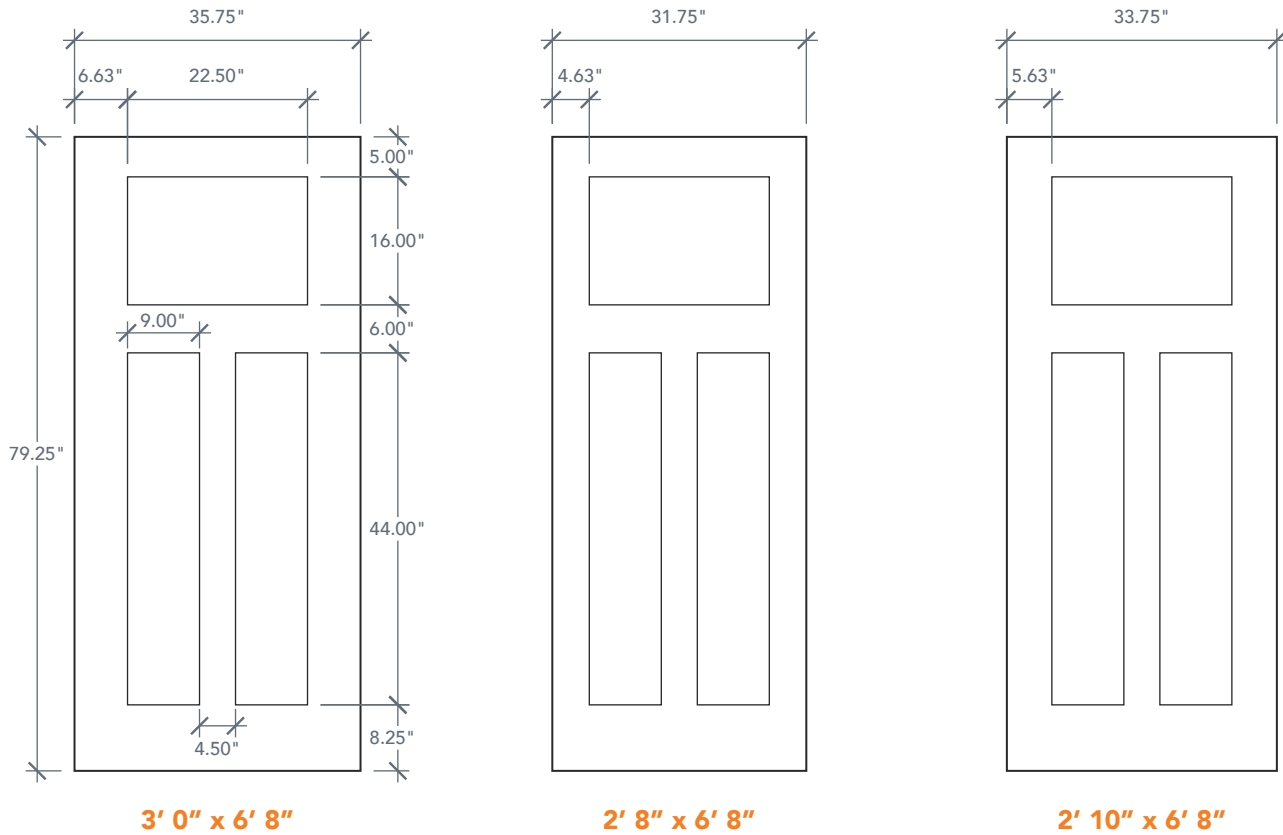
SMOOTH

FIR

SHAKER PROFILE

## AVAILABLE SIZING

ARTWORK SCALE: 1/2"=1'



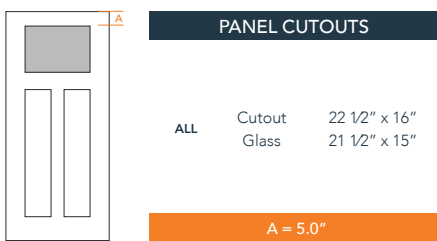
3' 0" x 6' 8"

2' 8" x 6' 8"

2' 10" x 6' 8"

NOTE: BY REQUEST, DOOR HEIGHT COMES IN VARYING DIMENSIONS TO A MINIMUM OF 79". EXCESS WILL BE TAKEN FROM BOTTOM RAIL. ALL OTHER DIMENSIONS WILL REMAIN THE SAME.

## CUTOUTS & GLASS



A = DISTANCE FROM TOP OF DOOR TO TOP OF OPENING.

NOTE: PLASTPRO DOES NOT PROVIDE PRE-CUT CONFIGURATION SERVICE FOR THIS DOOR. ADD-IN LITE FRAME AVAILABLE IN SOLUTION DOORLITE SERIES.

## MATCHING SIDELITES



SLS3FL/SLF3FL

Available Widths:  
1' 0"  
1' 2"

Spec Page = 33



SLS3S/SLF3S

Available Widths:  
1' 0"  
1' 2"

Spec Page = 34



SLS3SL/SLF3SL

Available Widths:  
1' 0"  
1' 2"

Spec Page = 35

# 8'0" DRS3F80/DRF3F80 THREE PANEL CRAFTSMAN

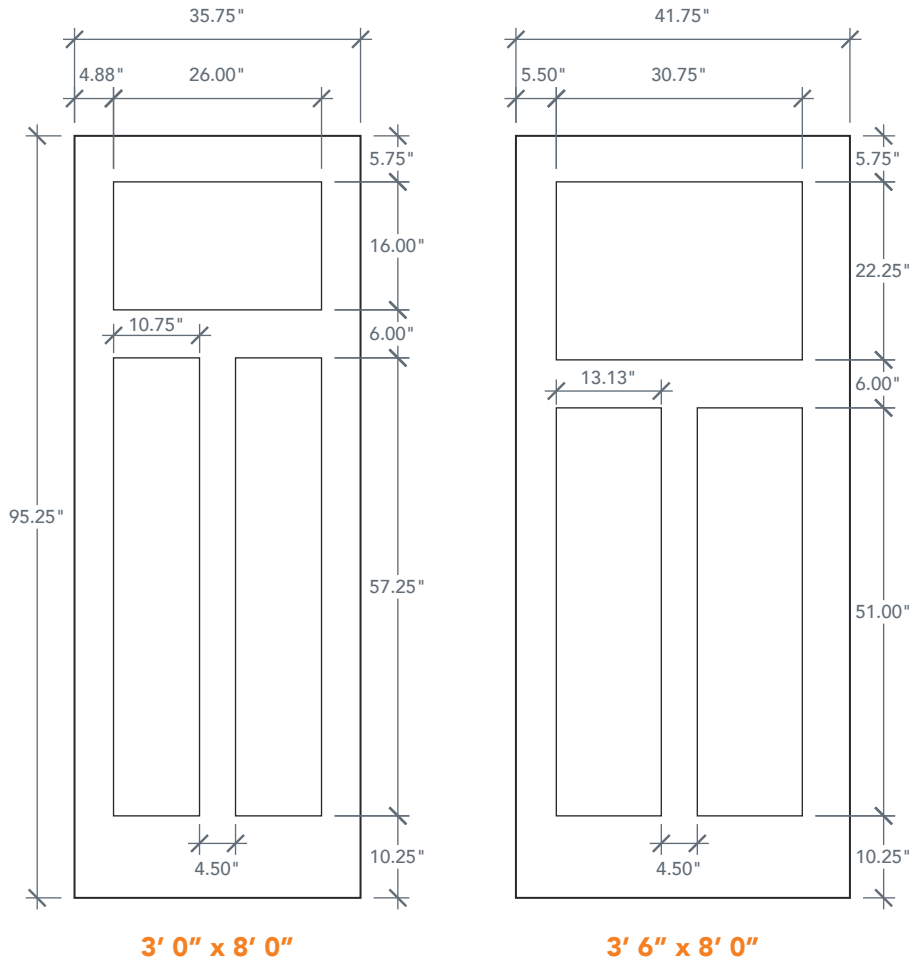
SMOOTH

FIR

SHAKER PROFILE

## AVAILABLE SIZING

ARTWORK SCALE: 1/2"=1'

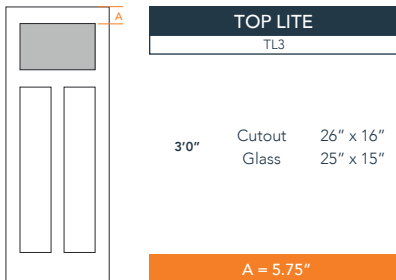


**3' 0" x 8' 0"**

**3' 6" x 8' 0"**

NOTE: BY REQUEST, DOOR HEIGHT COMES IN VARYING DIMENSIONS TO A MINIMUM OF 95". EXCESS WILL BE TAKEN FROM BOTTOM RAIL. ALL OTHER DIMENSIONS WILL REMAIN THE SAME.

## CUTOUTS & GLASS



A = DISTANCE FROM TOP OF DOOR TO TOP OF OPENING. NOTE: PLASTPRO DOES NOT PROVIDE PRE-CUT CONFIGURATION SERVICE FOR THIS DOOR.

## MATCHING SIDELITES



SLS3S80/SLF3S80

Available Widths:

- 1' 0"
- 1' 2"

Spec Page = 36



SLS3S80L/SLF3S80L

Available Widths:

- 1' 0"
- 1' 2"

Spec Page = 37

# 6'8" DRS3SL/DRF3SL DIRECT GLAZED CRAFTSMAN

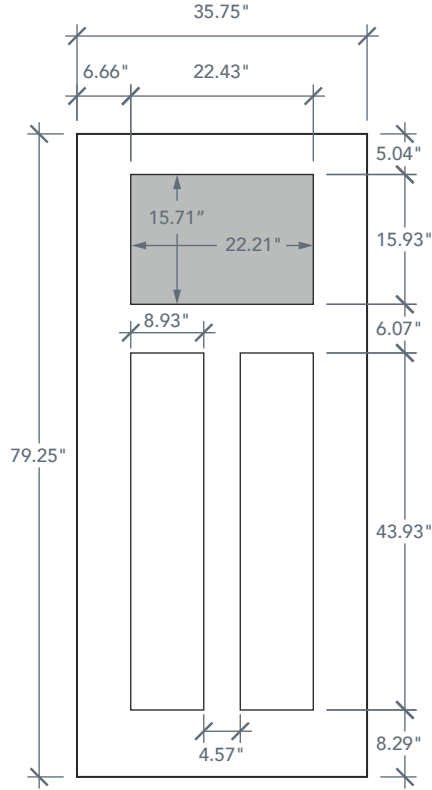
SMOOTH

FIR

SHAKER PROFILE

## AVAILABLE SIZING

ARTWORK SCALE: 1/2"=1'



**3' 0" x 6' 8"**

NOTE: BY REQUEST, DOOR HEIGHT COMES IN VARYING DIMENSIONS TO A MINIMUM OF 79". EXCESS WILL BE TAKEN FROM BOTTOM RAIL. ALL OTHER DIMENSIONS WILL REMAIN THE SAME.

## CUTOUTS & GLASS



SLS3SL/SLF3SL

Available Widths:

1' 0"

1' 2"

Spec Page = 35



SLS3FL/SLF3FL

Available Widths:

1' 0"

1' 2"

Spec Page = 33

# 8'0" DRS3S80L/DRF3S80L DIRECT GLAZED CRAFTSMAN

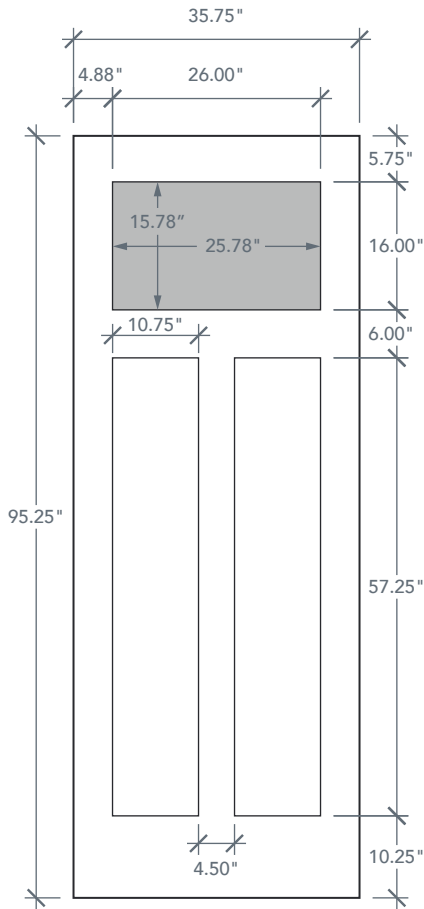
SMOOTH

FIR

SHAKER PROFILE

## AVAILABLE SIZING

ARTWORK SCALE: 1/2"=1'



**3' 0" x 8' 0"**

NOTE: BY REQUEST, DOOR HEIGHT COMES IN VARYING DIMENSIONS TO A MINIMUM OF 95". EXCESS WILL BE TAKEN FROM BOTTOM RAIL. ALL OTHER DIMENSIONS WILL REMAIN THE SAME.

## MATCHING SIDELITE



SLS3S80L/SLF3S80L

Available Widths:

1' 0"

1' 2"

Spec Page = 37

# 6'8" DRS3J/DRF3J THREE PANEL DOOR

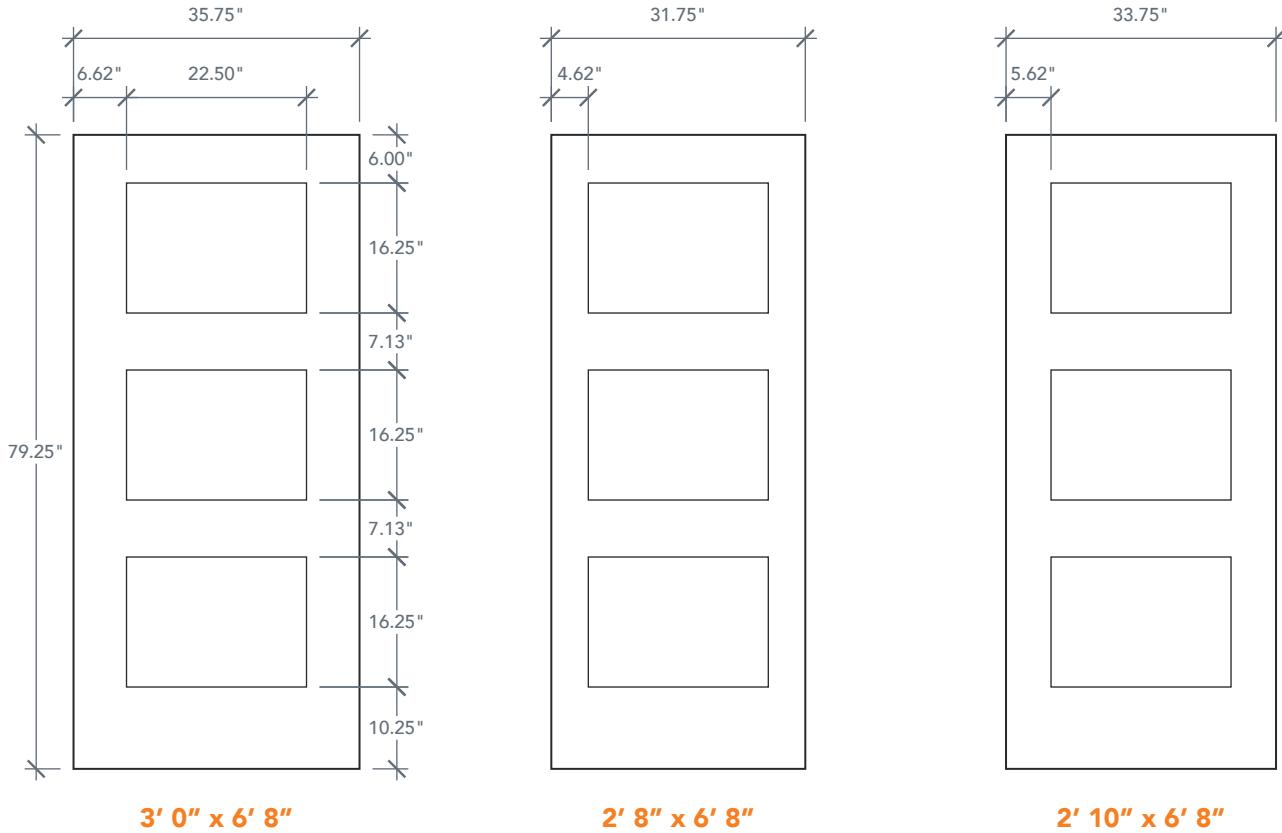
SMOOTH

FIR

SHAKER PROFILE

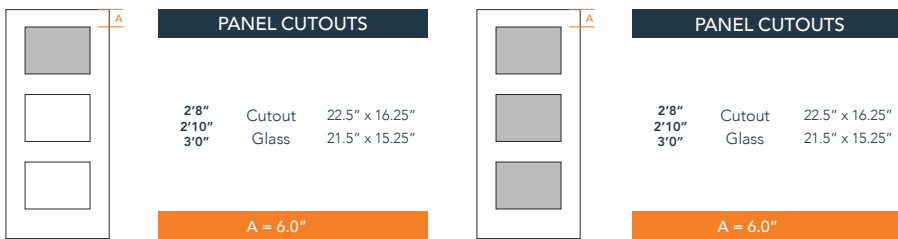
## AVAILABLE SIZING

ARTWORK SCALE: 1/2"=1'



NOTE: BY REQUEST, DOOR HEIGHT COMES IN VARYING DIMENSIONS TO A MINIMUM OF 79". EXCESS WILL BE TAKEN FROM BOTTOM RAIL. ALL OTHER DIMENSIONS WILL REMAIN THE SAME.

## CUTOUTS & GLASS



A = DISTANCE FROM TOP OF DOOR TO TOP OF OPENING.

NOTE: PLASTPRO DOES NOT PROVIDE PRE-CUT CONFIGURATION SERVICE FOR THIS DOOR. ADD-IN LITE FRAME AVAILABLE IN SOLUTION DOORLITE SERIES.

## MATCHING SIDELITES



# 6'8" DRS50/DRF50 FIVE PANEL DOOR

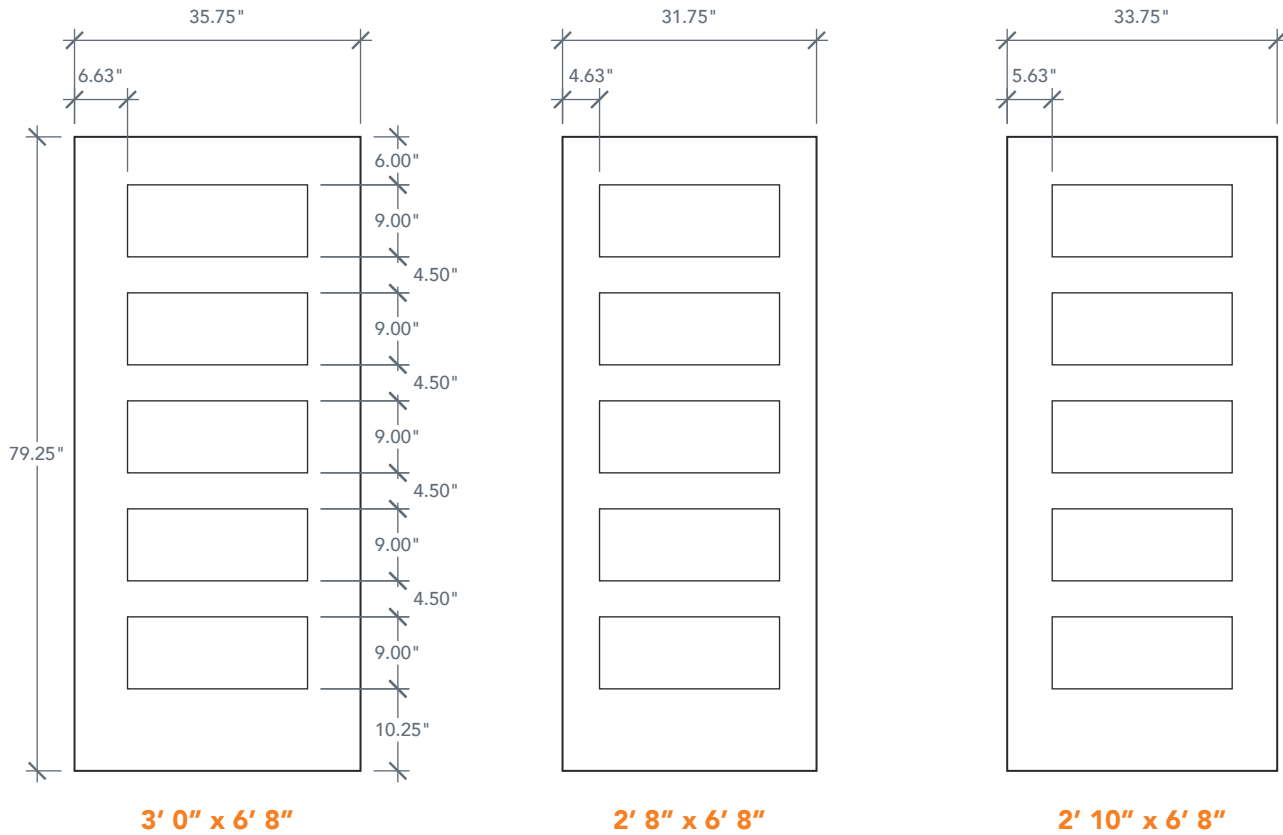
SMOOTH

FIR

SHAKER PROFILE

## AVAILABLE SIZING

ARTWORK SCALE: 1/2"=1'



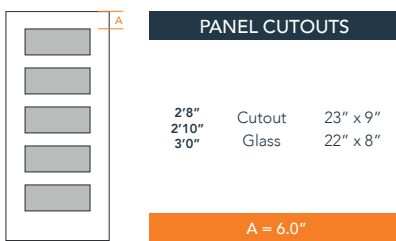
**3' 0" x 6' 8"**

**2' 8" x 6' 8"**

**2' 10" x 6' 8"**

NOTE: BY REQUEST, DOOR HEIGHT COMES IN VARYING DIMENSIONS TO A MINIMUM OF 79". EXCESS WILL BE TAKEN FROM BOTTOM RAIL. ALL OTHER DIMENSIONS WILL REMAIN THE SAME.

## CUTOUTS & GLASS



A = DISTANCE FROM TOP OF DOOR TO TOP OF OPENING.

NOTE: PLASTPRO DOES NOT PROVIDE PRE-CUT CONFIGURATION SERVICE FOR THIS DOOR. ADD-IN LITE FRAME AVAILABLE IN SOLUTION DOORLITE SERIES.

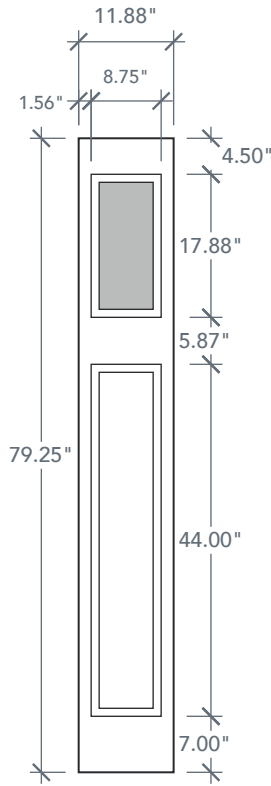


# 6'8" SLS3C/SLF3C DIRECT GLAZED TOP LITE SIDELITE

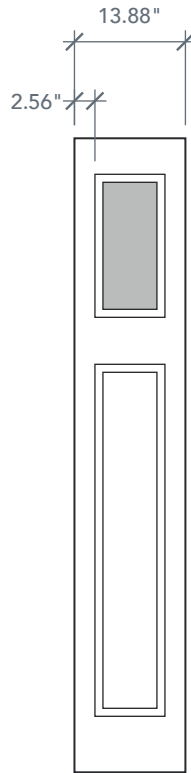
SMOOTH      FIR      OVOLO PROFILE

AVAILABLE SIZING

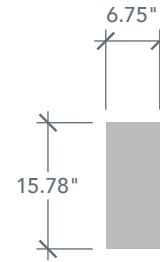
ARTWORK SCALE: 1/2"=1'



**1' 0" x 6' 8"**



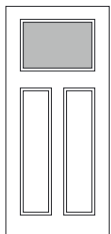
**1' 2" x 6' 8"**



**Glass Measurements**

NOTE: BY REQUEST, SIDELITE HEIGHT COMES IN VARYING DIMENSIONS TO A MINIMUM OF 79". EXCESS WILL BE TAKEN FROM BOTTOM RAIL. ALL OTHER DIMENSIONS WILL REMAIN THE SAME.

## MATCHING DOOR



DRS3C/DRF3C

Available Widths:  
3' 0"

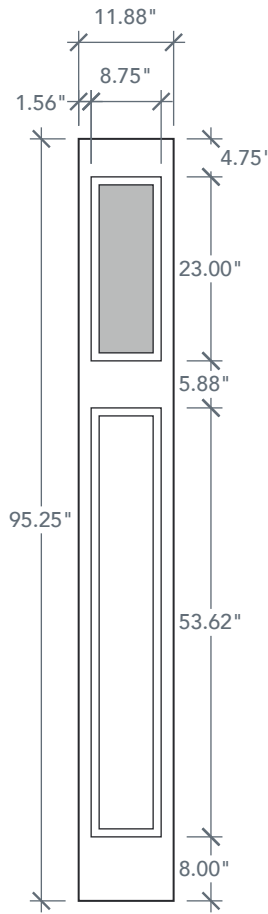
Spec Page = 23

# 8'0" SLS3C80/SLF3C80 DIRECT GLAZED TOP LITE SIDELITE

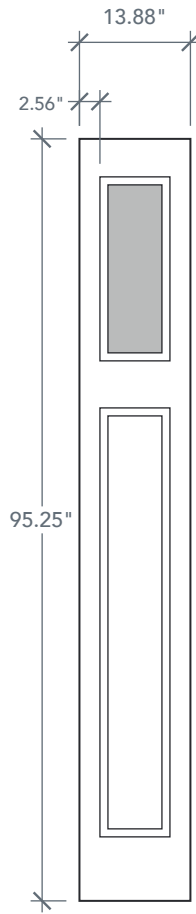
SMOOTH      FIR      OVOLO PROFILE

## AVAILABLE SIZING

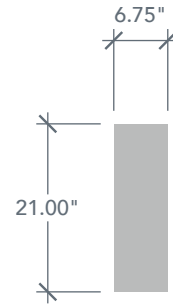
ARTWORK SCALE: 1/2"=1'



**1' 0" x 8' 0"**



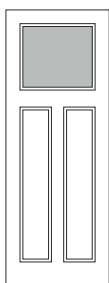
**1' 2" x 8' 0"**



**Glass Measurements**

NOTE: BY REQUEST, SIDELITE HEIGHT COMES IN VARYING DIMENSIONS TO A MINIMUM OF 95". EXCESS WILL BE TAKEN FROM BOTTOM RAIL. ALL OTHER DIMENSIONS WILL REMAIN THE SAME.

## MATCHING DOOR



DRS3C80/DRF3C80

Available Widths:  
3' 0"

Spec Page = 24

# 6'8" SLS3F/SLF3F DIRECT GLAZED FULL LITE SIDELITE

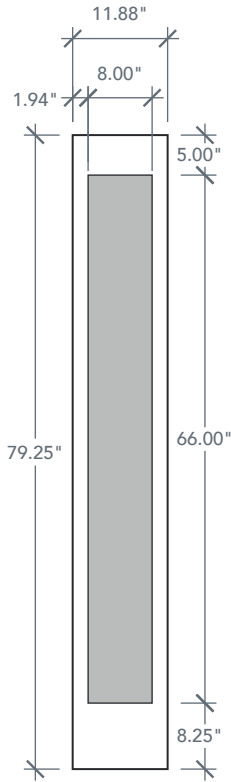
SMOOTH

FIR

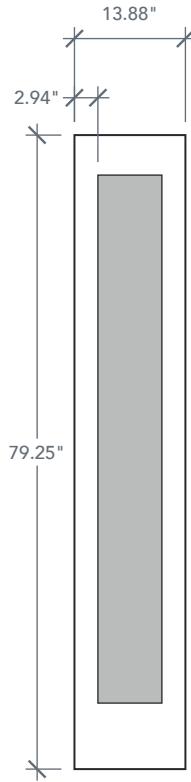
SHAKER PROFILE

## AVAILABLE SIZING

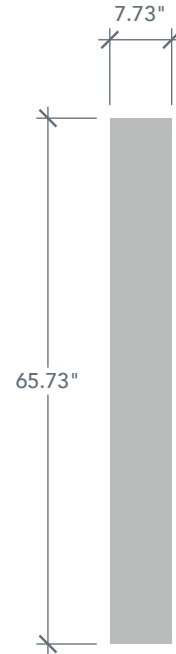
ARTWORK SCALE: 1/2"=1'



**1' 0" x 6' 8"**



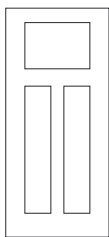
**1' 2" x 6' 8"**



**Glass Measurements**

NOTE: BY REQUEST, SIDELITE HEIGHT COMES IN VARYING DIMENSIONS TO A MINIMUM OF 79". EXCESS WILL BE TAKEN FROM BOTTOM RAIL. ALL OTHER DIMENSIONS WILL REMAIN THE SAME.

## MATCHING DOORS

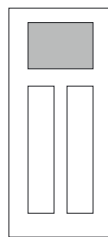


**DRS3F/DRF3F**

Available Widths:

- 2' 8"
- 2' 10"
- 3' 0"

Spec Page = 25



**DRS3SL/DRF3SL**

Available Widths:

- 2' 8"
- 2' 10"
- 3' 0"

Spec Page = 27

# 6'8" SLS3S/SLF3S THREE PANEL SIDELITE

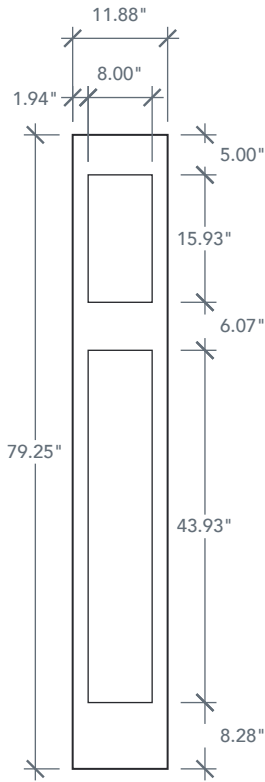
SMOOTH

FIR

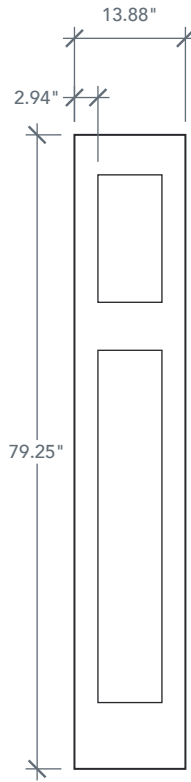
SHAKER PROFILE

## AVAILABLE SIZING

ARTWORK SCALE: 1/2"=1'



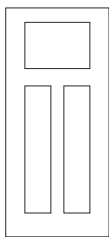
**1' 0" x 6' 8"**



**1' 2" x 6' 8"**

NOTE: BY REQUEST, SIDELITE HEIGHT COMES IN VARYING DIMENSIONS TO A MINIMUM OF 79". EXCESS WILL BE TAKEN FROM BOTTOM RAIL. ALL OTHER DIMENSIONS WILL REMAIN THE SAME.

## MATCHING DOORS

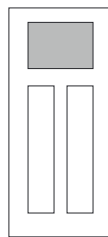


DRS3F/DRF3F

Available Widths:

- 2' 8"
- 2' 10"
- 3' 0"

Spec Page = 25



DRS3SL/DRF3SL

Available Widths:

- 2' 8"
- 2' 10"
- 3' 0"

Spec Page = 27

# 6'8" SLS3SL/SLF3SL DIRECT GLAZED TOP LITE SIDELITE

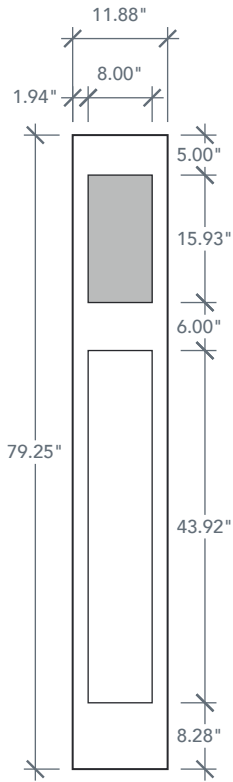
SMOOTH

FIR

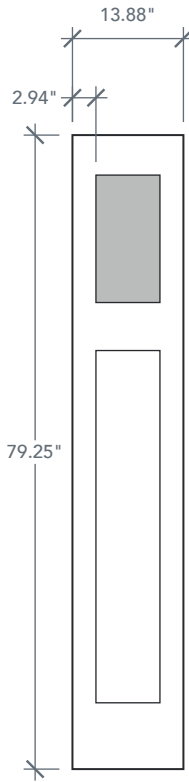
SHAKER PROFILE

## AVAILABLE SIZING

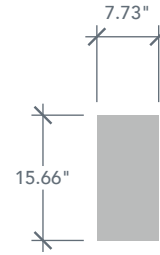
ARTWORK SCALE: 1/2"=1'



**1' 0" x 6' 8"**



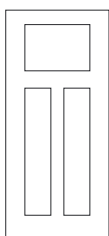
**1' 2" x 6' 8"**



**Glass Measurements**

NOTE: BY REQUEST, SIDELITE HEIGHT COMES IN VARYING DIMENSIONS TO A MINIMUM OF 79". EXCESS WILL BE TAKEN FROM BOTTOM RAIL. ALL OTHER DIMENSIONS WILL REMAIN THE SAME.

## MATCHING DOORS

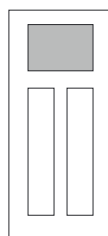


DRS3F/DRF3F

Available Widths:

- 2' 8"
- 2' 10"
- 3' 0"

Spec Page = 25



DRS3SL/DRF3SL

Available Widths:

- 2' 8"
- 2' 10"
- 3' 0"

Spec Page = 27

# 8'0" SLS3S80/SLF3S80 THREE PANEL SIDELITE

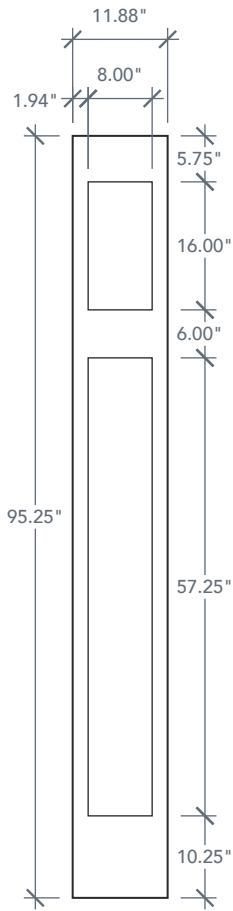
SMOOTH

FIR

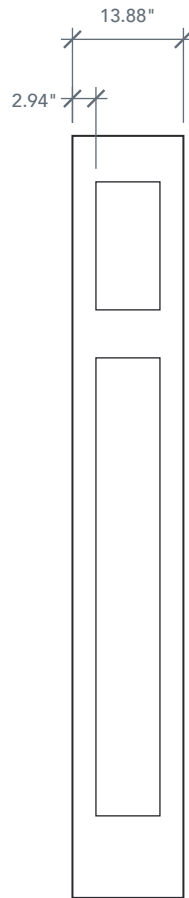
SHAKER PROFILE

## AVAILABLE SIZING

ARTWORK SCALE: 1/2"=1'



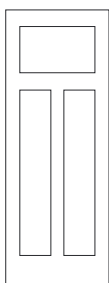
**1' 0" x 8' 0"**



**1' 2" x 8' 0"**

NOTE: BY REQUEST, SIDELITE HEIGHT COMES IN VARYING DIMENSIONS TO A MINIMUM OF 95". EXCESS WILL BE TAKEN FROM BOTTOM RAIL. ALL OTHER DIMENSIONS WILL REMAIN THE SAME.

## MATCHING DOORS



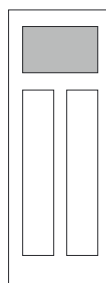
DRS3F80/DRF3F80

Available Widths:

3' 0"

NOTE: DOES NOT MATCH WITH 3' 6" x 8' 0"

Spec Page = 26



DRS3S80L/DRF3S80L

Available Widths:

2' 8"

2' 10"

3' 0"

Spec Page = 28

# 8'0" SLS3S80L/SLF3S80L DIRECT GLAZED TOP LITE SIDELITE

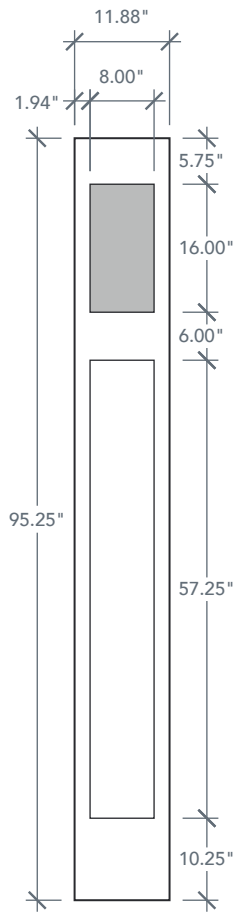
SMOOTH

FIR

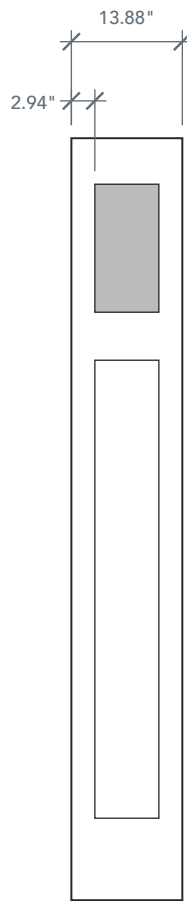
SHAKER PROFILE

## AVAILABLE SIZING

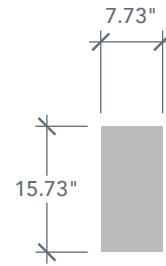
ARTWORK SCALE: 1/2"=1'



**1' 0" x 8' 0"**

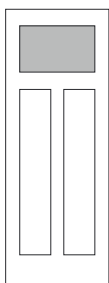


**1' 2" x 8' 0"**



**Glass Measurements**

NOTE: BY REQUEST, SIDELITE HEIGHT COMES IN VARYING DIMENSIONS TO A MINIMUM OF 95". EXCESS WILL BE TAKEN FROM BOTTOM RAIL. ALL OTHER DIMENSIONS WILL REMAIN THE SAME.



DRS3S80L/DRF3S80L

Available Widths:

- 2' 8"
- 2' 10"
- 3' 0"

Spec Page = 28

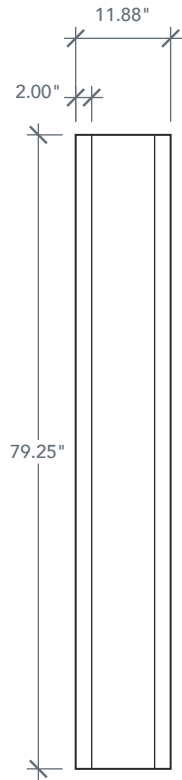
# 6'8" SLF0J FLUSH STILE-RAIL SIDELITE

FIR

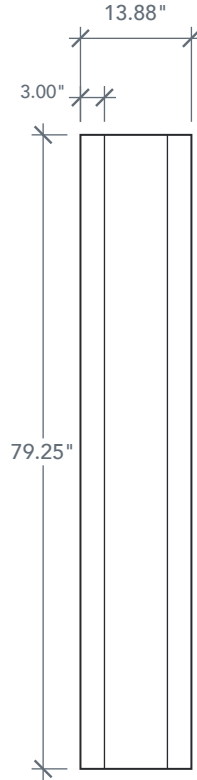
SHAKER PROFILE

## AVAILABLE SIZING

ARTWORK SCALE: 1/2"=1'



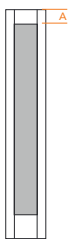
**1' 0" x 6' 8"**



**1' 2" x 6' 8"**

NOTE: BY REQUEST, SIDELITE HEIGHT COMES IN VARYING DIMENSIONS TO A MINIMUM OF 79". EXCESS WILL BE TAKEN FROM BOTTOM RAIL. ALL OTHER DIMENSIONS WILL REMAIN THE SAME.

## CUTOUTS & GLASS



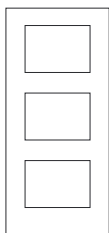
### PANEL CUTOUTS

ALL	Cutout	8" x 65"
	Glass	7" x 64"

**A = 5.0"**

A = DISTANCE FROM TOP OF DOOR TO TOP OF OPENING.  
 NOTE: PLASTPRO DOES NOT PROVIDE PRE-CUT CONFIGURATION SERVICE FOR THIS DOOR. ADD-IN LITE FRAME AVAILABLE IN SOLUTION DOORLITE SERIES.

## MATCHING DOOR



DRF3J

Available Widths:

- 2' 8"
- 2' 10"
- 3' 0"

Spec Page = 29



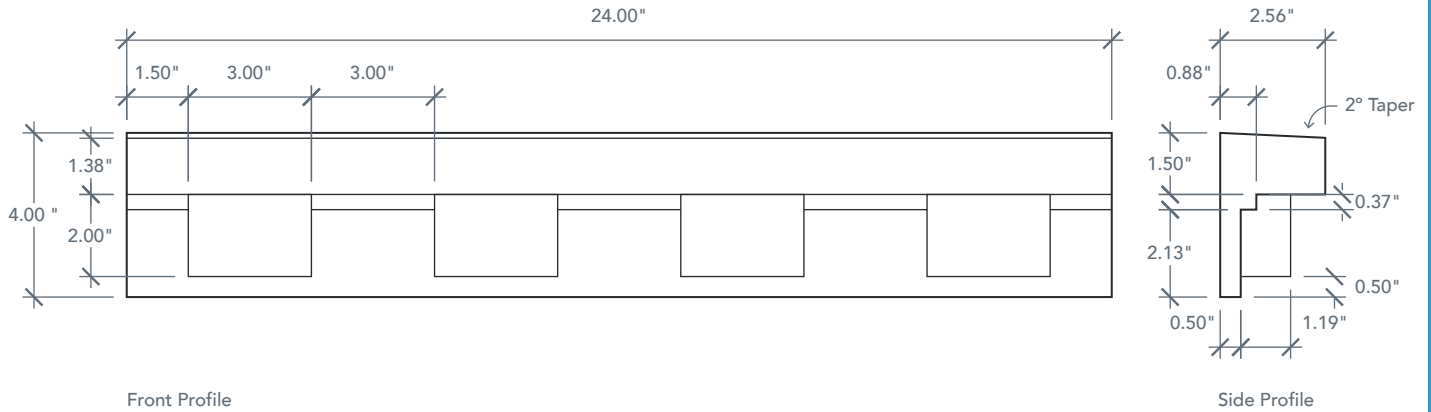
# DENTIL SHELVES

SMOOTH & FIR

## ACCESSORY DIMENSIONS

ARTWORK NOT TO SCALE

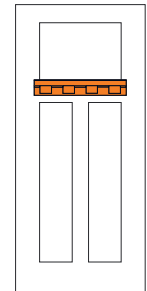
### ACDSSW2404/ACDSFT2404 4 BLOCK DENTIL SHELF SMOOTH & FIR



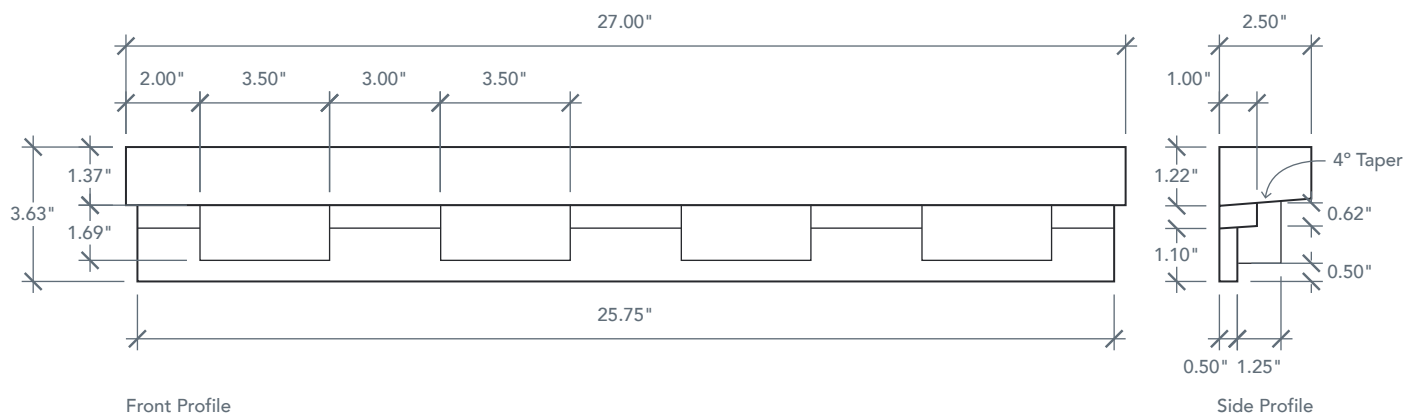
## ACCESSORY INFO

Parts Per Set: 1  
4 Block Dentil Shelf

Matching Doors:  
DRS3F/DRF3F | Spec Page 25  
DRS3SL/DRF3SL | Spec Page 27



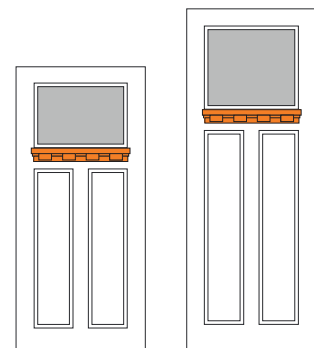
### ACDSFT2704 4 BLOCK DENTIL SHELF FIR



## ACCESSORY INFO

Parts Per Set: 1  
4 Block Dentil Shelf

Matching Doors:  
DRF3C | Spec Page 27  
DRF3C80 | Spec Page 28  
DRF3F80 | Spec Page 30  
DRF3S80L | Spec Page 32



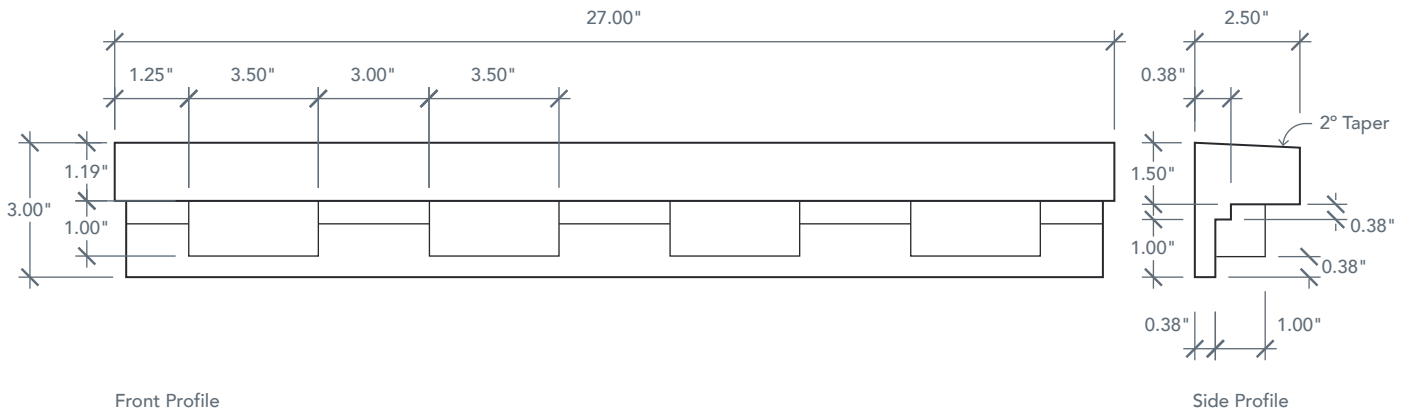
# DENTIL SHELVES

SMOOTH

## AVAILABLE SIZING

ARTWORK NOT TO SCALE

### ACDSSW2704 4 BLOCK DENTIL SHELF SMOOTH



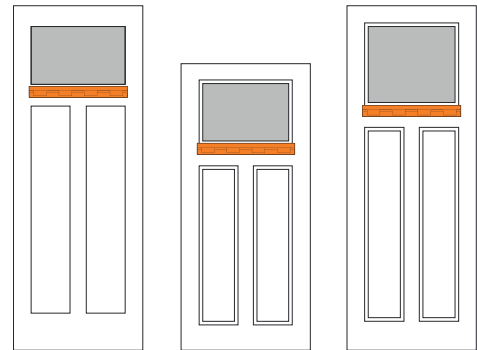
## ACCESSORY INFO

Parts Per Set: 1  
4 Block Dentil Shelf

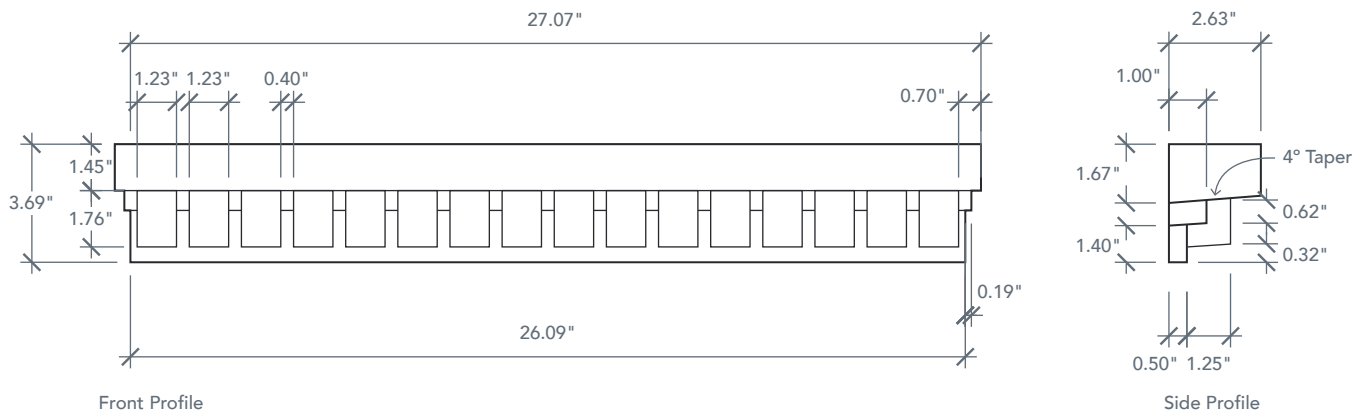
### Matching Doors:

DRS3F/DRF3F | Spec Page 25

DRS3S/DRF3S | Spec Page 27



### ACDSSW2716 16 BLOCK DENTIL SHELF SMOOTH



## ACCESSORY INFO

Parts Per Set: 1  
16 Block Dentil Shelf

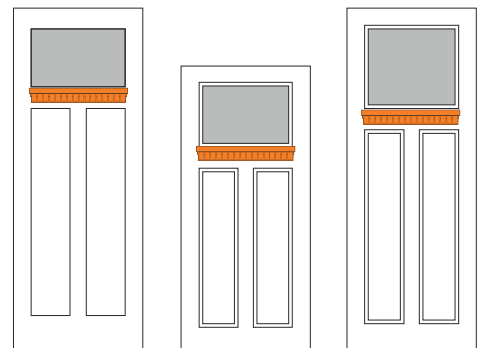
### Matching Doors:

DRS3C | Spec Page 23

DRS3C80 | Spec Page 24

DRS3F80 | Spec Page 26

DRS3S80L | Spec Page 28

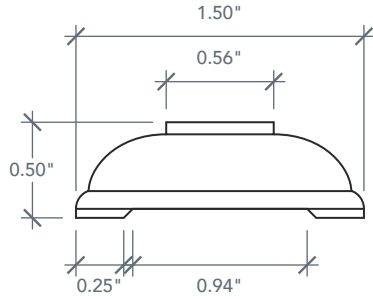


# SDL BARS SIMULATED DIVIDED LITES

SMOOTH & FIR

## ACCESSORY DIMENSIONS

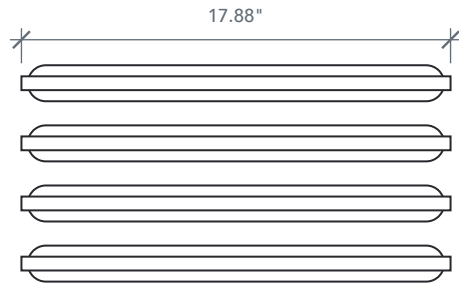
ARTWORK SCALE: AS NOTED



### SDL BAR SIDE PROFILE

ARTWORK SCALE: 1"=1"

**ACSDF23001 3-LITE** FOR 6'8" FIR DOOR  
**ACSDW23005 3-LITE** FOR 6'8" SMOOTH DOOR

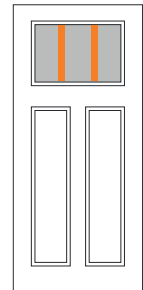


### ACCESSORY INFO

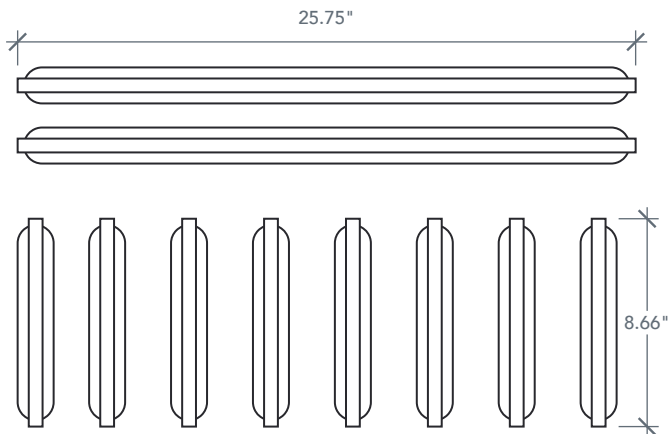
ARTWORK SCALE: 1 1/2"=1"

Pieces Per Set: 4  
 17 1/8" SDL Bars ( 4 pcs. )

Matching Doors:  
 DRF3C G000 | Spec Page 27  
 DRS3C G000 | Spec Page 27



**ACSDF23002 6-LITE** FOR 6'8" FIR DOOR  
**ACSDW23006 6-LITE** FOR 6'8" SMOOTH DOOR

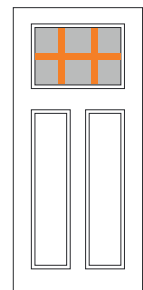


### ACCESSORY INFO

ARTWORK SCALE: 1 1/2"=1"

Pieces Per Set: 10  
 25 3/4" SDL Bars ( 2 pcs. )  
 8 2 1/2" SDL Bars ( 8 pcs. )

Matching Doors:  
 DRF3C G000 | Spec Page 27  
 DRS3C G000 | Spec Page 27



# SDL BARS SIMULATED DIVIDED LITES

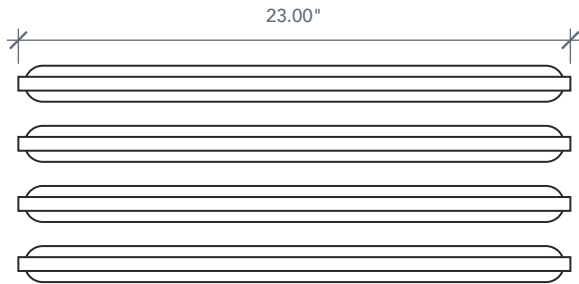
SMOOTH & FIR

## ACCESSORY DIMENSIONS

ARTWORK SCALE: AS NOTED

**ACSDF23005 3-LITE** FOR 8'0" FIR DOOR

**ACSDW23001 3-LITE** FOR 8'0" SMOOTH DOOR

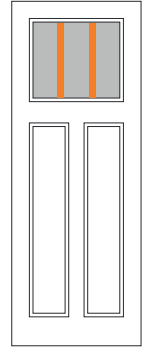


## ACCESSORY INFO

ARTWORK SCALE: 1 1/2"=1"

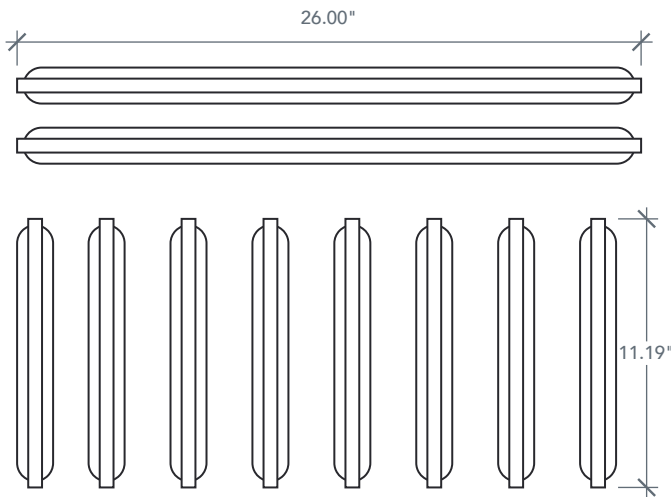
Pieces Per Set: 4  
23" SDL Bars (4 pcs.)

Matching Doors:  
DRF3C80 G000 | Spec Page 28  
DRS3C80 G000 | Spec Page 28



**ACSDF23006 6-LITE** FOR 8'0" FIR DOOR

**ACSDW23002 6-LITE** FOR 8'0" SMOOTH DOOR

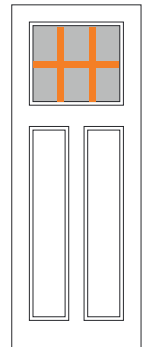


## ACCESSORY INFO

ARTWORK SCALE: 1 1/2"=1"

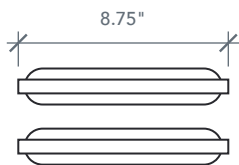
Pieces Per Set: 10  
26" SDL Bars (2 pcs.)  
11 3/16" SDL Bars (8 pcs.)

Matching Doors:  
DRF3C80 G000 | Spec Page 28  
DRS3C80 G000 | Spec Page 28



**ACSDF23004 2-LITE** FOR 6'8" & 8'0" FIR SIDELITE

**ACSDW23004 2-LITE** FOR 6'8" & 8'0" SMOOTH SIDELITE

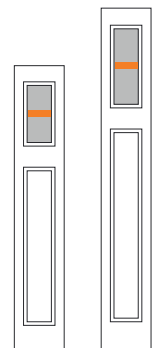


## ACCESSORY INFO

ARTWORK SCALE: 1 1/2"=1"

Pieces Per Set: 2  
8 3/4" SDL Bars (2 pcs.)

Matching Sidelites:  
SLF3C G000 | Spec Page 36  
SLF3C80 G000 | Spec Page 37  
SLS3C G000 | Spec Page 36  
SLS3C80 G000 | Spec Page 37

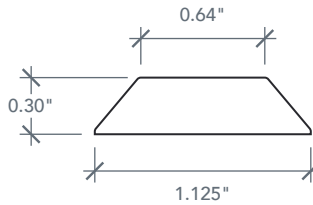
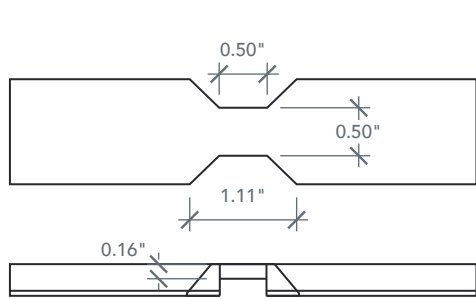


# SDL BARS SIMULATED DIVIDED LITES

SMOOTH & FIR

## AVAILABLE SIZING

ARTWORK SCALE: AS NOTED



### SDL BAR SIDE PROFILE

ARTWORK NOT TO SCALE

**ACSDF3S680-3L 3-LITE** FOR 6'8" FIR DOOR  
**ACSDS3S680-3L 3-LITE** FOR 6'8" SMOOTH DOOR

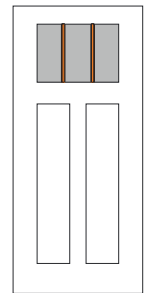


### ACCESSORY INFO

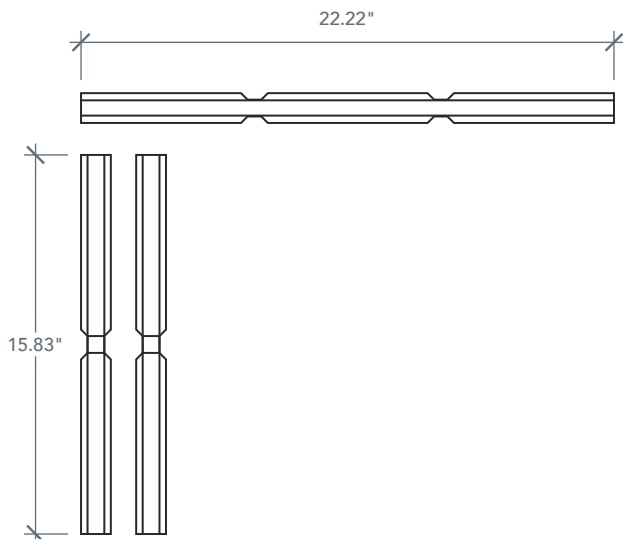
ARTWORK SCALE: 1 1/2"=1"

Pieces Per Set: 2  
 15.87" SDL Bars (2 pcs.)

Matching Doors:  
 DRF3SL | Spec Page 27  
 DRS3SL | Spec Page 27



**ACSDF3S680-6L 6-LITE** FOR 6'8" FIR DOOR  
**ACSDS3S680-6L 6-LITE** FOR 6'8" SMOOTH DOOR

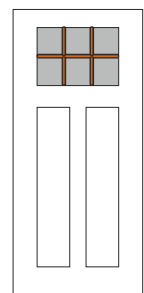


### ACCESSORY INFO

ARTWORK SCALE: 1 1/2"=1"

Pieces Per Set: 3  
 22.22" SDL Bars (1 pcs.)  
 15.83" SDL Bars (2 pcs.)

Matching Doors:  
 DRF3SL | Spec Page 27  
 DRS3SL | Spec Page 27



# SDL BARS SIMULATED DIVIDED LITES

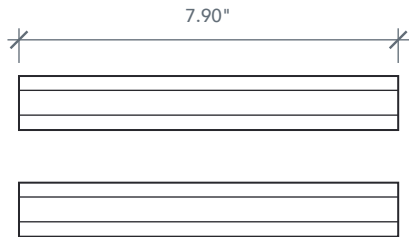
SMOOTH & FIR

## AVAILABLE SIZING

ARTWORK SCALE: AS NOTED

**ACSDF4S6802-2SL 3-LITE** FOR 6'8" FIR DOOR

**ACSDS3S6802-2SL 3-LITE** FOR 6'8" SMOOTH DOOR



## ACCESSORY INFO

ARTWORK SCALE: 3"=1"

Pieces Per Set: 1  
7.9" SDL Bars ( 1 pcs. )

### Matching Doors:

DRF3SL | Spec Page 27

DRF3SL | Spec Page 27





## **RUSTIC SERIES**

Hold your horses everyone, because you've got to see the breathtaking countrylike doors that Plastpro's Rustic Series has to offer. This series is far from ordinary. Its distinct panel details, beautifully crafted vertical planks, and arched and radius tops deliver a warm and homey sensation to any entryway. Our Rustic Doors' dark and smooth features also add a touch of modernness while embracing sweet southern hospitality. For those wanting to magnify the vintage look, this series also includes a line of wrought iron accessories for further customization, one can't help but observe.

**PG 46 - 63**

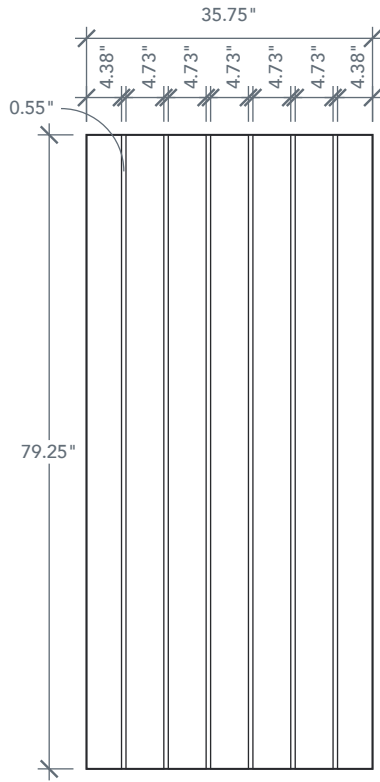


# 6'8" DRATP TRUE PLANK DOOR

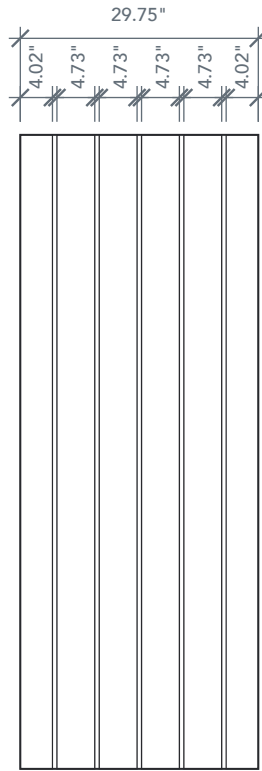
SQUARE TOP

## AVAILABLE SIZING

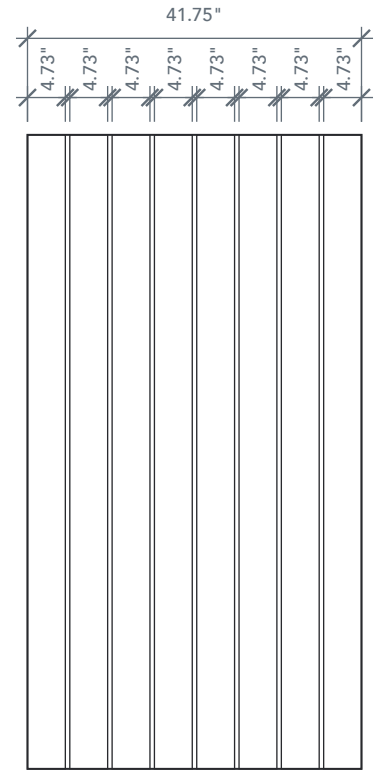
ARTWORK SCALE: 1/2"=1'



**3' 0" x 6' 8"**



**2' 6" x 6' 8"**



**3' 6" x 6' 8"**

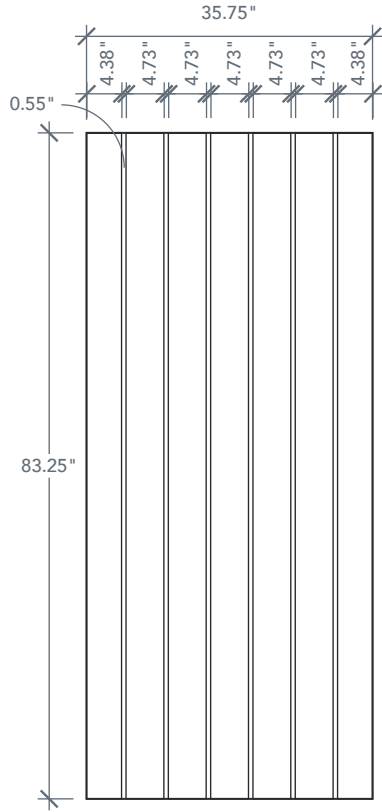
NOTE: BY REQUEST, DOOR HEIGHT COMES IN VARYING DIMENSIONS TO A MINIMUM OF 79". EXCESS WILL BE TAKEN FROM BOTTOM RAIL. ALL OTHER DIMENSIONS WILL REMAIN THE SAME.

# 7'0" DRATP70 TRUE PLANK DOOR

SQUARE TOP

## AVAILABLE SIZING

ARTWORK SCALE: 1/2"=1'



**3' 0" x 7' 0"**

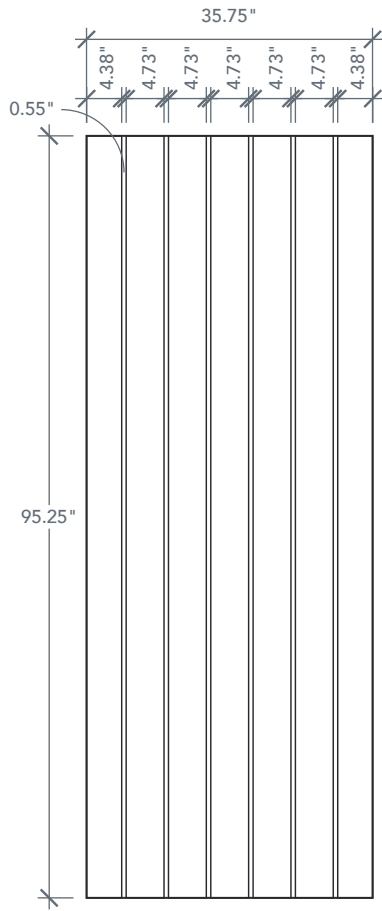
NOTE: BY REQUEST, DOOR HEIGHT COMES IN VARYING DIMENSIONS TO A MINIMUM OF 83". EXCESS WILL BE TAKEN FROM BOTTOM RAIL. ALL OTHER DIMENSIONS WILL REMAIN THE SAME.

# 8'0" DRATP80 TRUE PLANK DOOR

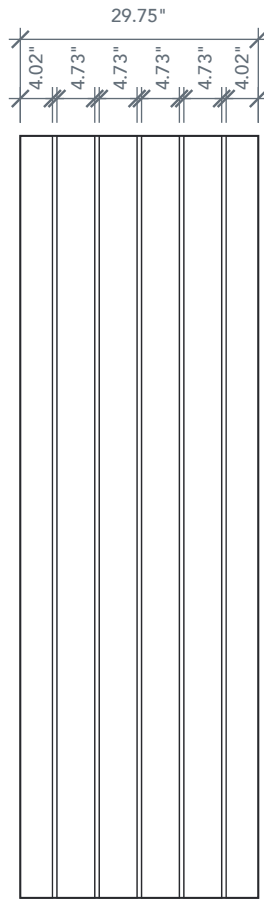
SQUARE TOP

## AVAILABLE SIZING

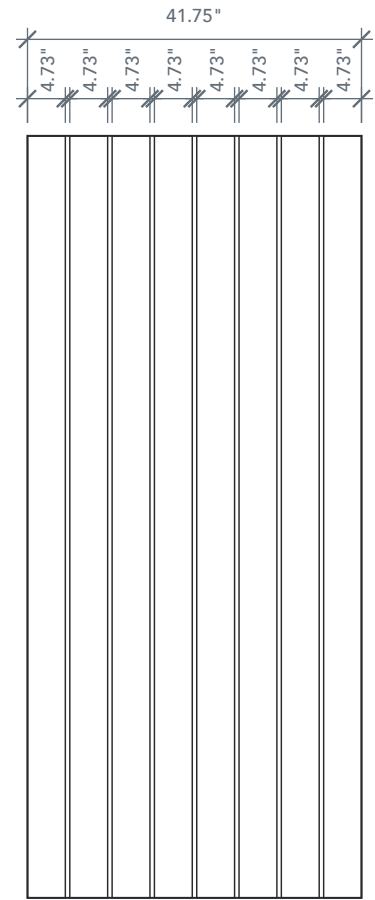
ARTWORK SCALE: 1/2"=1'



**3' 0" x 8' 0"**



**2' 6" x 8' 0"**



**3' 6" x 8' 0"**

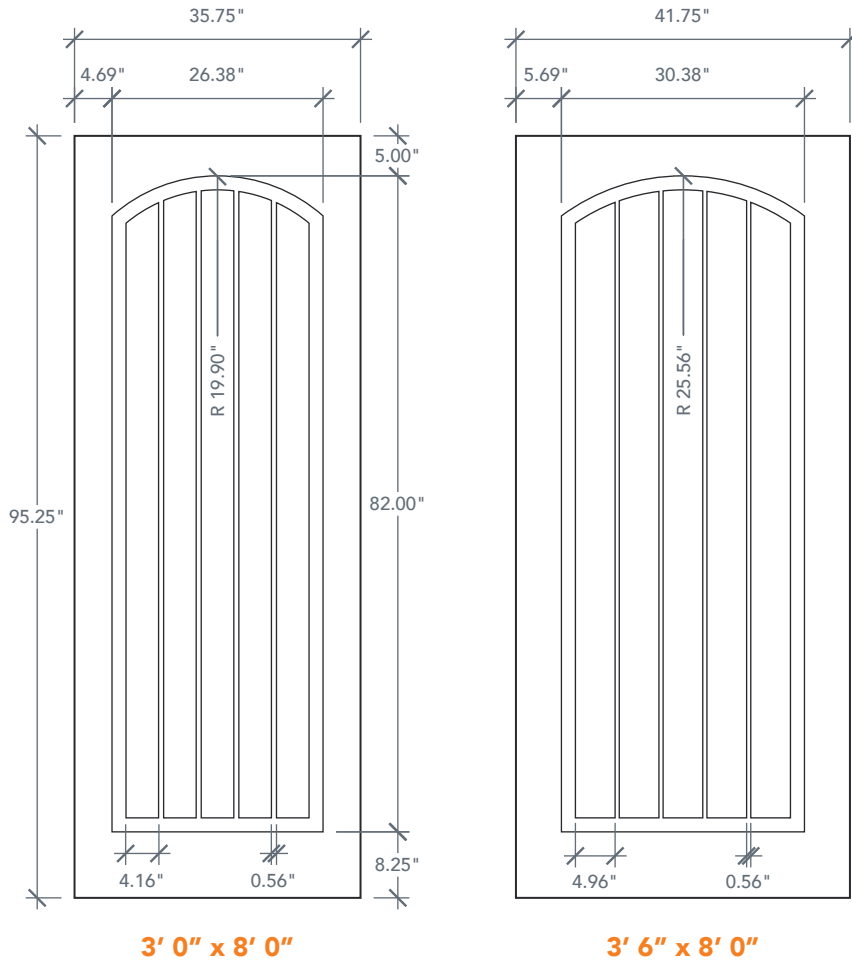
NOTE: BY REQUEST, DOOR HEIGHT COMES IN VARYING DIMENSIONS TO A MINIMUM OF 95". EXCESS WILL BE TAKEN FROM BOTTOM RAIL. ALL OTHER DIMENSIONS WILL REMAIN THE SAME.

# 8'0" DRA1A80 ONE PANEL DOOR

ARCH PLANK & SQUARE TOP

## AVAILABLE SIZING

ARTWORK SCALE: 1/2"=1'



**3' 0" x 8' 0"**

**3' 6" x 8' 0"**

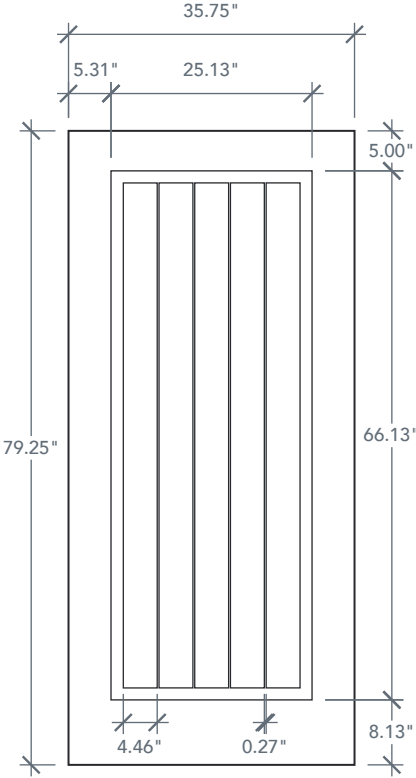
NOTE: BY REQUEST, DOOR HEIGHT COMES IN VARYING DIMENSIONS TO A MINIMUM OF 95". EXCESS WILL BE TAKEN FROM BOTTOM RAIL. ALL OTHER DIMENSIONS WILL REMAIN THE SAME.

# 6'8" DRA1P ONE PANEL DOOR

SQUARE PLANK & SQUARE TOP

## AVAILABLE SIZING

ARTWORK SCALE: 1/2"=1'



**3' 0" x 6' 8"**

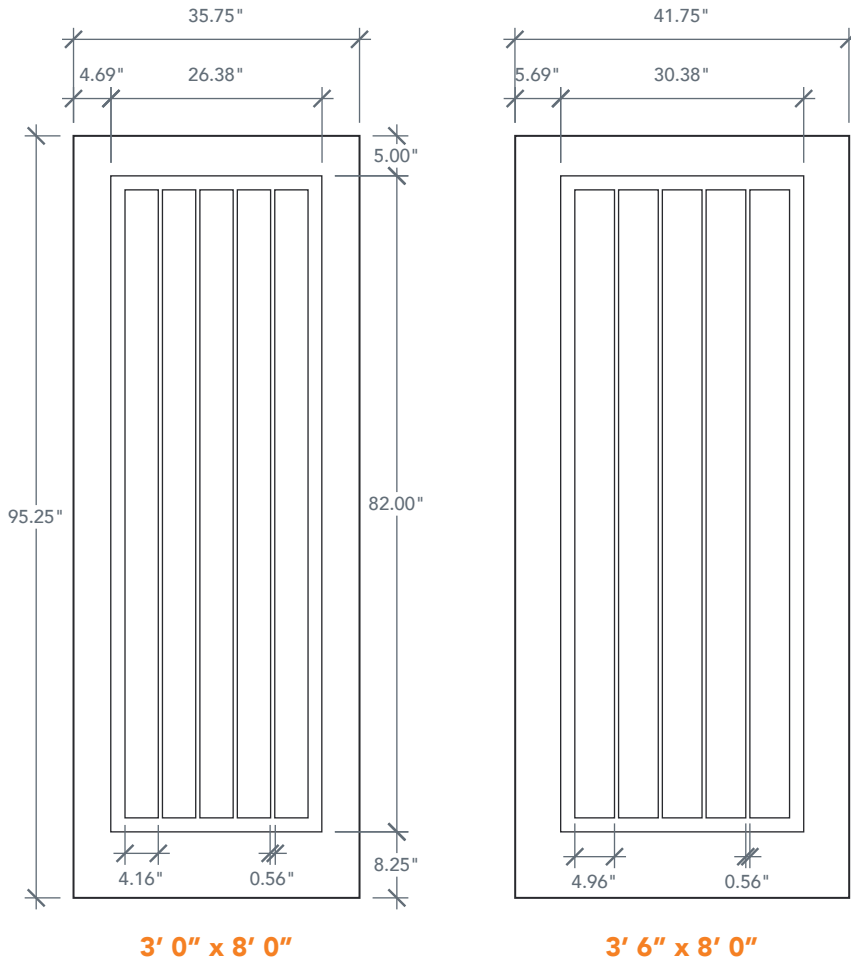
NOTE: BY REQUEST, DOOR HEIGHT COMES IN VARYING DIMENSIONS TO A MINIMUM OF 79". EXCESS WILL BE TAKEN FROM BOTTOM RAIL. ALL OTHER DIMENSIONS WILL REMAIN THE SAME.

# 8'0" DRA1P80 ONE PANEL DOOR

SQUARE PLANK & SQUARE TOP

## AVAILABLE SIZING

ARTWORK SCALE: 1/2"=1'



**3' 0" x 8' 0"**

**3' 6" x 8' 0"**

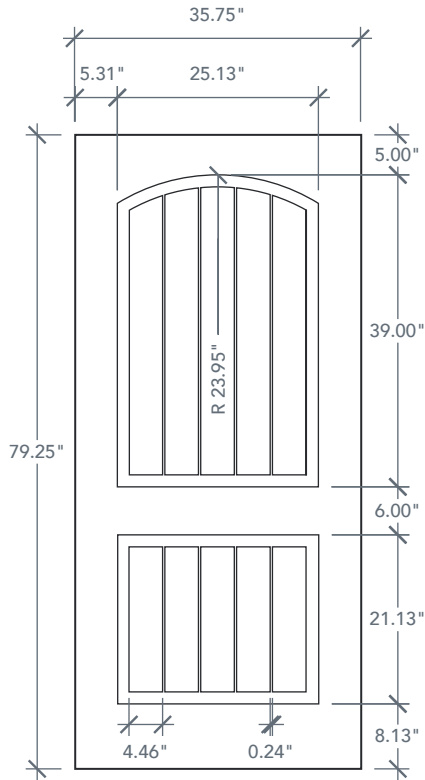
NOTE: BY REQUEST, DOOR HEIGHT COMES IN VARYING DIMENSIONS TO A MINIMUM OF 95". EXCESS WILL BE TAKEN FROM BOTTOM RAIL. ALL OTHER DIMENSIONS WILL REMAIN THE SAME.

# 6'8" DRA2A TWO PANEL DOOR

ARCH PLANK & SQUARE TOP

## AVAILABLE SIZING

ARTWORK SCALE: 1/2"=1'



**3' 0" x 6' 8"**

NOTE: BY REQUEST, DOOR HEIGHT COMES IN VARYING DIMENSIONS TO A MINIMUM OF 79". EXCESS WILL BE TAKEN FROM BOTTOM RAIL. ALL OTHER DIMENSIONS WILL REMAIN THE SAME.

## CUTOUTS & GLASS

<b>HALF ARCH LITE</b>	
3R4	
3'0"	Cutout 25 1/4" x 39"
	Glass 24 1/4" x 38"
A = 5.0"	

<b>HALF LITE</b>	
344	
3'0"	Cutout 25 1/8" x 39"
	Glass 24 1/8" x 38"
A = 5.0"	

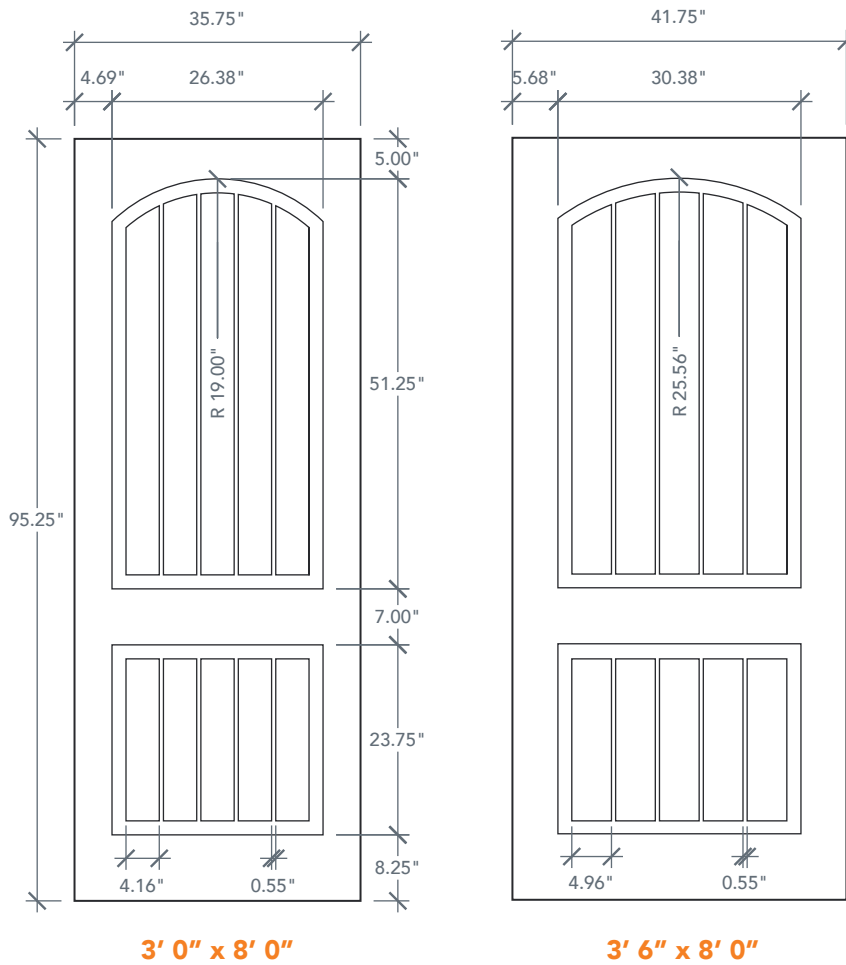
A = DISTANCE FROM TOP OF DOOR TO TOP OF OPENING

# 8'0" DRA2A80 TWO PANEL DOOR

ARCH PLANK & SQUARE TOP

## AVAILABLE SIZING

ARTWORK SCALE: 1/2"=1'



NOTE: BY REQUEST, DOOR HEIGHT COMES IN VARYING DIMENSIONS TO A MINIMUM OF 95". EXCESS WILL BE TAKEN FROM BOTTOM RAIL. ALL OTHER DIMENSIONS WILL REMAIN THE SAME.

## CUTOUTS & GLASS

HALF ARCH LITE	
3R5	
3'0"	Cutout 26 3/8" x 51 1/4" Glass 25 3/8" x 50 1/4"
3R6	
3'6"	Cutout 30 3/8" x 51 1/4" Glass 29 3/8" x 50 1/4"
A = 5.0"	

A = DISTANCE FROM TOP OF DOOR TO TOP OF OPENING

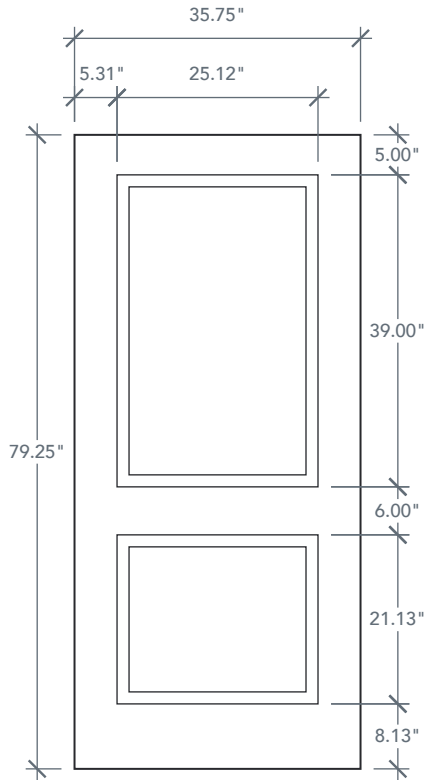


# 6'8" DRA2B TWO PANEL DOOR

SQUARE PANEL & SQUARE TOP

## AVAILABLE SIZING

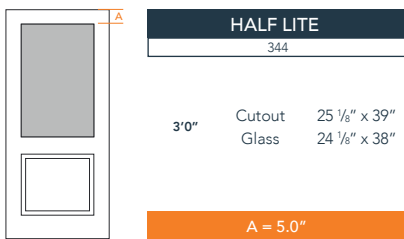
ARTWORK SCALE: 1/2"=1'



**3' 0" x 6' 8"**

NOTE: BY REQUEST, DOOR HEIGHT COMES IN VARYING DIMENSIONS TO A MINIMUM OF 79". EXCESS WILL BE TAKEN FROM BOTTOM RAIL. ALL OTHER DIMENSIONS WILL REMAIN THE SAME.

## CUTOUTS & GLASS



A = DISTANCE FROM TOP OF DOOR TO TOP OF OPENING

## MATCHING SIDELITES

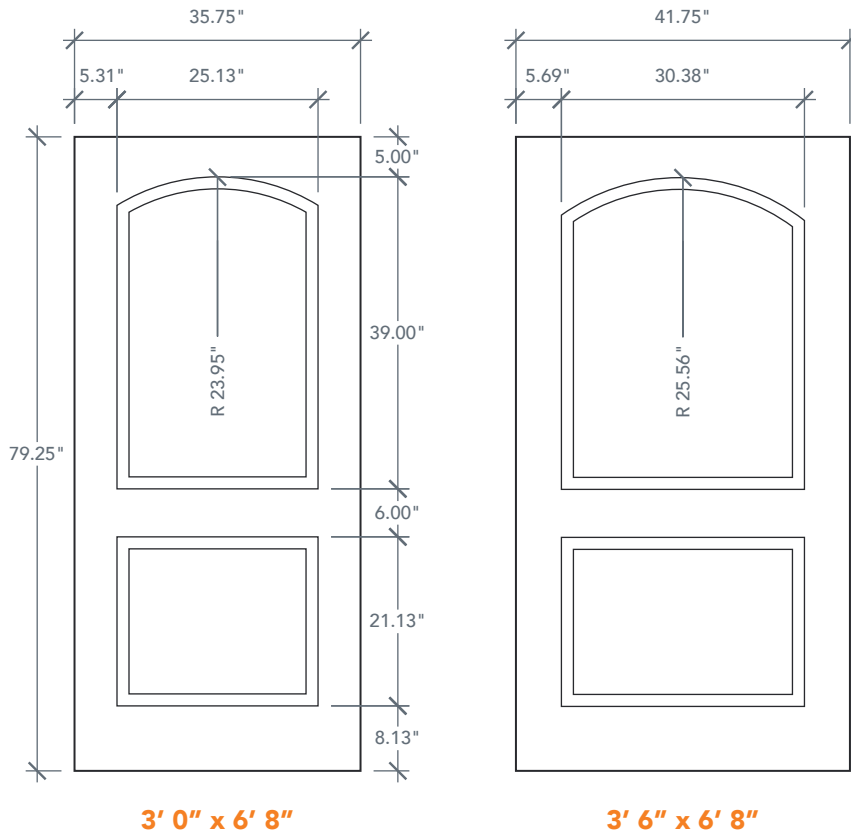


# 6'8" DRA2D TWO PANEL DOOR

ARCH PANEL & SQUARE TOP

## AVAILABLE SIZING

ARTWORK SCALE: 1/2"=1'

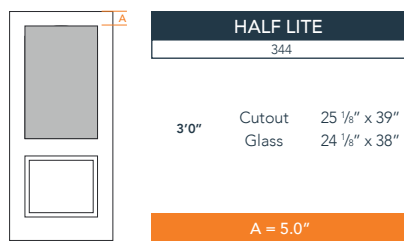
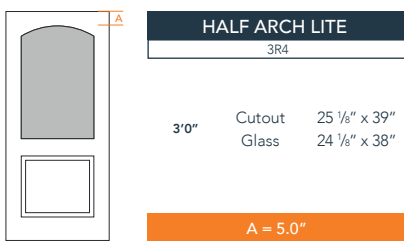


**3' 0" x 6' 8"**

**3' 6" x 6' 8"**

NOTE: BY REQUEST, DOOR HEIGHT COMES IN VARYING DIMENSIONS TO A MINIMUM OF 79". EXCESS WILL BE TAKEN FROM BOTTOM RAIL. ALL OTHER DIMENSIONS WILL REMAIN THE SAME.

## CUTOUTS & GLASS



A = DISTANCE FROM TOP OF DOOR TO TOP OF OPENING

## MATCHING SIDELITES

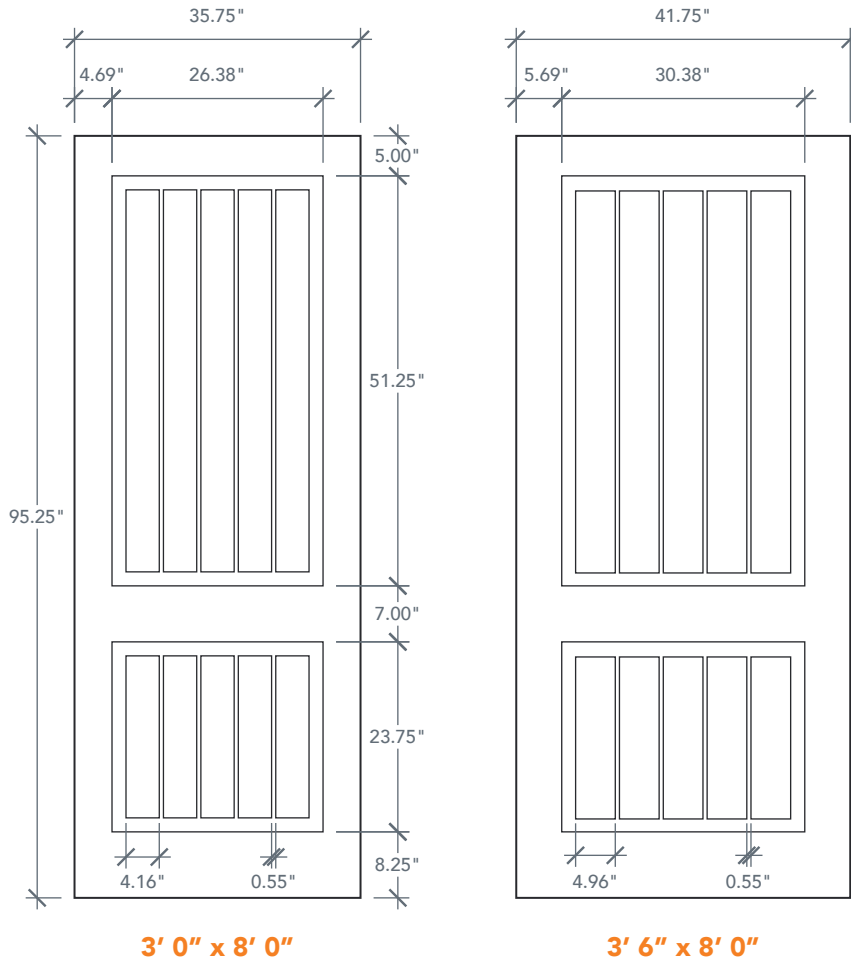


# 8'0" DRA2P80 TWO PANEL DOOR

SQUARE PLANK & SQUARE TOP

## AVAILABLE SIZING

ARTWORK SCALE: 1/2"=1'



NOTE: BY REQUEST, DOOR HEIGHT COMES IN VARYING DIMENSIONS TO A MINIMUM OF 95". EXCESS WILL BE TAKEN FROM BOTTOM RAIL. ALL OTHER DIMENSIONS WILL REMAIN THE SAME.

## CUTOUTS & GLASS

HALF LITE	
HL6	
3'0"	Cutout 26 1/2" x 51"
	Glass 25 1/2" x 50"
346	
3'6"	Cutout 30 3/8" x 51 1/4"
	Glass 29 3/8" x 50 1/4"
A = 5.0"	

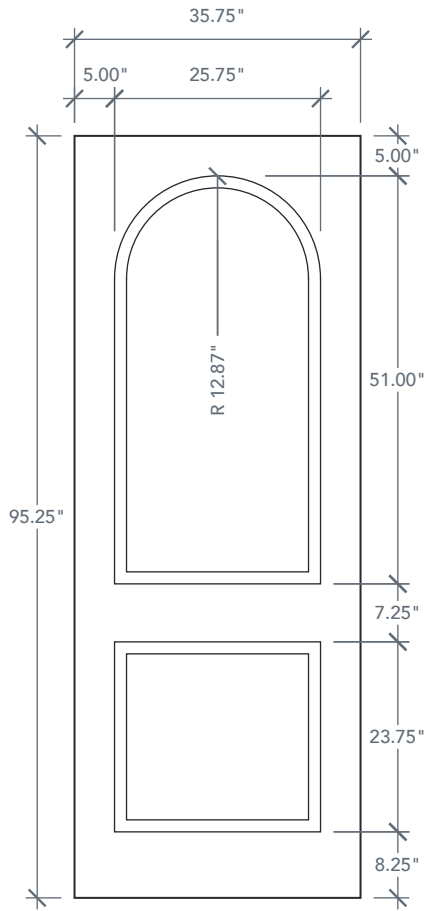
A = DISTANCE FROM TOP OF DOOR TO TOP OF OPENING

# 8'0" DRA2R80 TWO PANEL DOOR

RADIUS PANEL & SQUARE TOP

## AVAILABLE SIZING

ARTWORK SCALE: 1/2"=1'



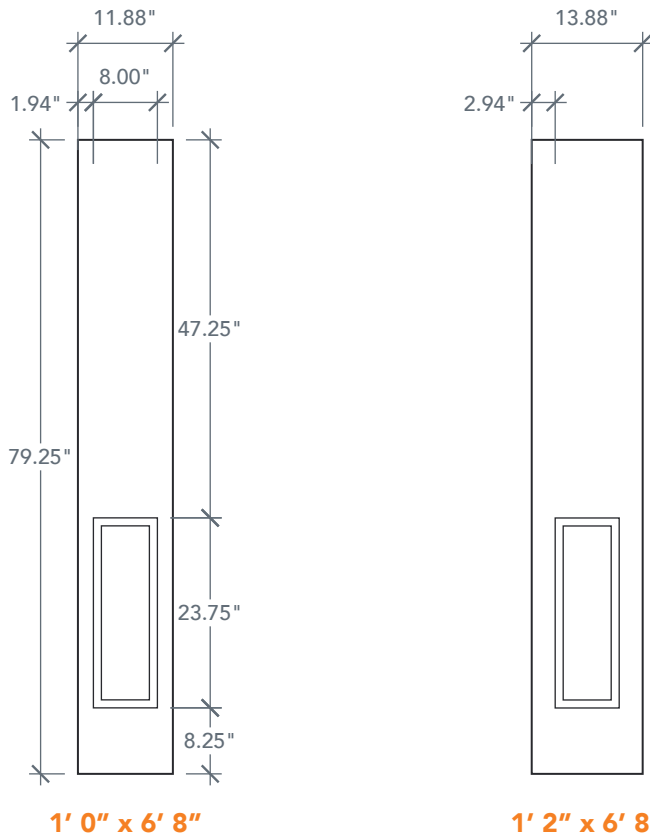
**3' 0" x 8' 0"**

NOTE: BY REQUEST, DOOR HEIGHT COMES IN VARYING DIMENSIONS TO A MINIMUM OF 95". EXCESS WILL BE TAKEN FROM BOTTOM RAIL. ALL OTHER DIMENSIONS WILL REMAIN THE SAME.

# 6'8" SLA2B TWO PANEL SIDELITE

AVAILABLE SIZING

ARTWORK SCALE: 1/2"=1'

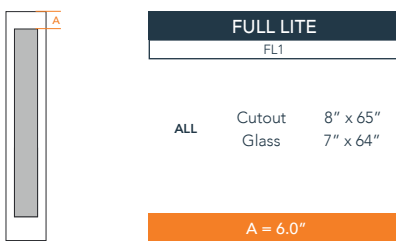


1' 0" x 6' 8"

1' 2" x 6' 8"

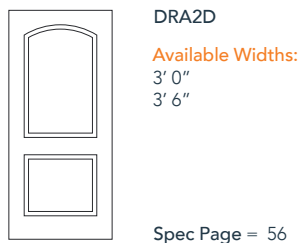
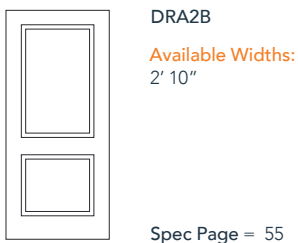
NOTE: BY REQUEST, SIDELITE HEIGHT COMES IN VARYING DIMENSIONS TO A MINIMUM OF 79". EXCESS WILL BE TAKEN FROM BOTTOM RAIL. ALL OTHER DIMENSIONS WILL REMAIN THE SAME.

## CUTOUTS & GLASS



A = DISTANCE FROM TOP OF DOOR TO TOP OF OPENING

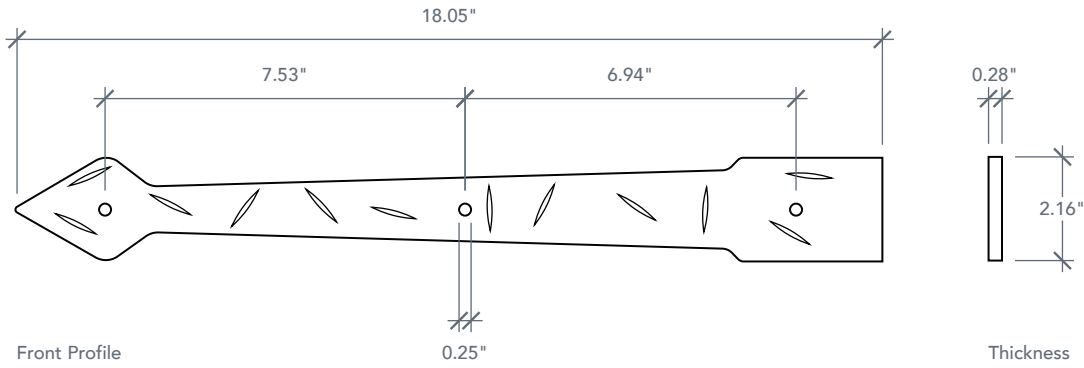
## MATCHING DOORS



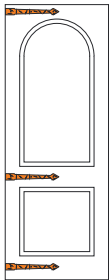
# 18" ACCHGSTP18 WROUGHT IRON HINGE STRAP

## ACCESSORY DIMENSIONS

ARTWORK SCALE: 3"=1'



## ACCESSORY INFO



**Pieces in Set: 10**  
18" Hinge Strap (x3)

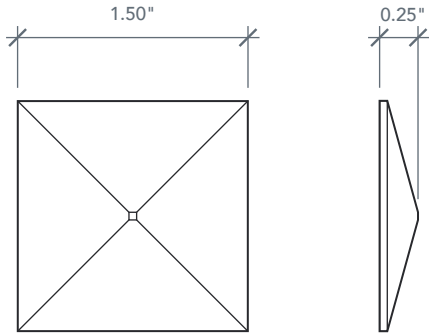
**Matching Doors:**  
Rustic Door Series

# DECORATIVE CLAVOS

## ACCESSORY DIMENSIONS & INFO

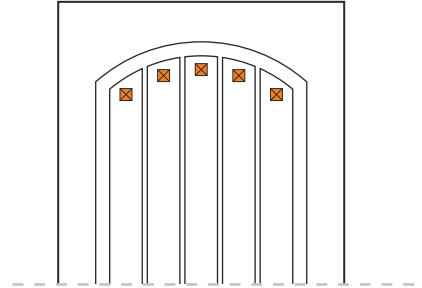
ARTWORK NOT TO SCALE

### 1.50" ACCLP12Q SQUARE CLAVOS

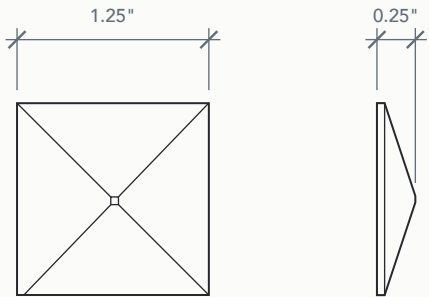


**Pieces in Set: 10**  
1.50" Square Clavos (x10)

**Matching Doors:**  
Rustic Door Series

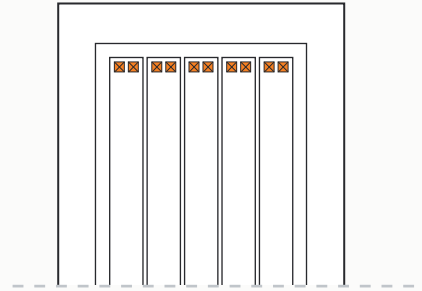


### 1.25" ACCLP14Q SQUARE CLAVOS

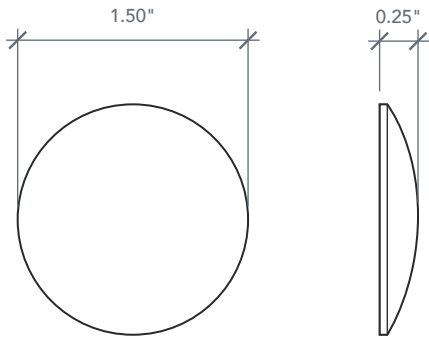


**Pieces in Set: 10**  
1.25" Square Clavos (x10)

**Matching Doors:**  
Rustic Door Series

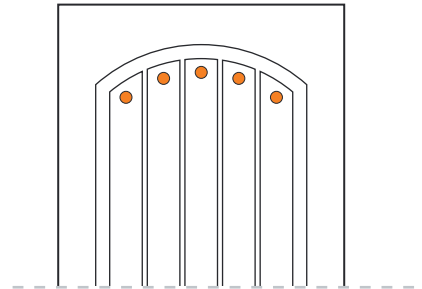


### 1.50" ACCLP12R ROUND CLAVOS

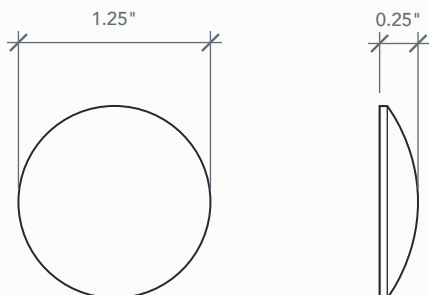


**Pieces in Set: 10**  
1.50" Round Clavos (x10)

**Matching Doors:**  
Rustic Door Series

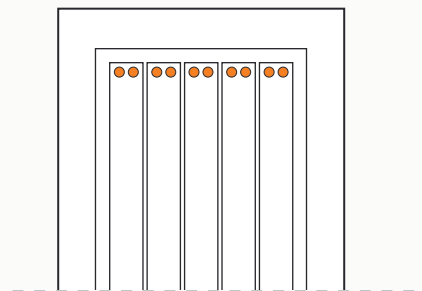


### 1.25" ACCLP14R ROUND CLAVOS



**Pieces in Set: 10**  
1.25" Round Clavos (x10)

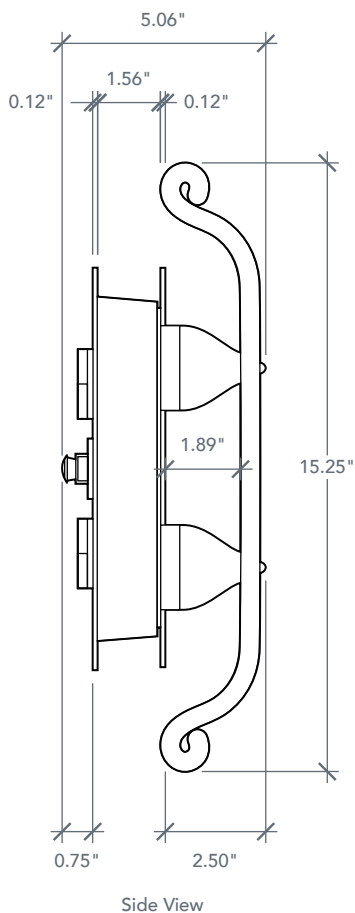
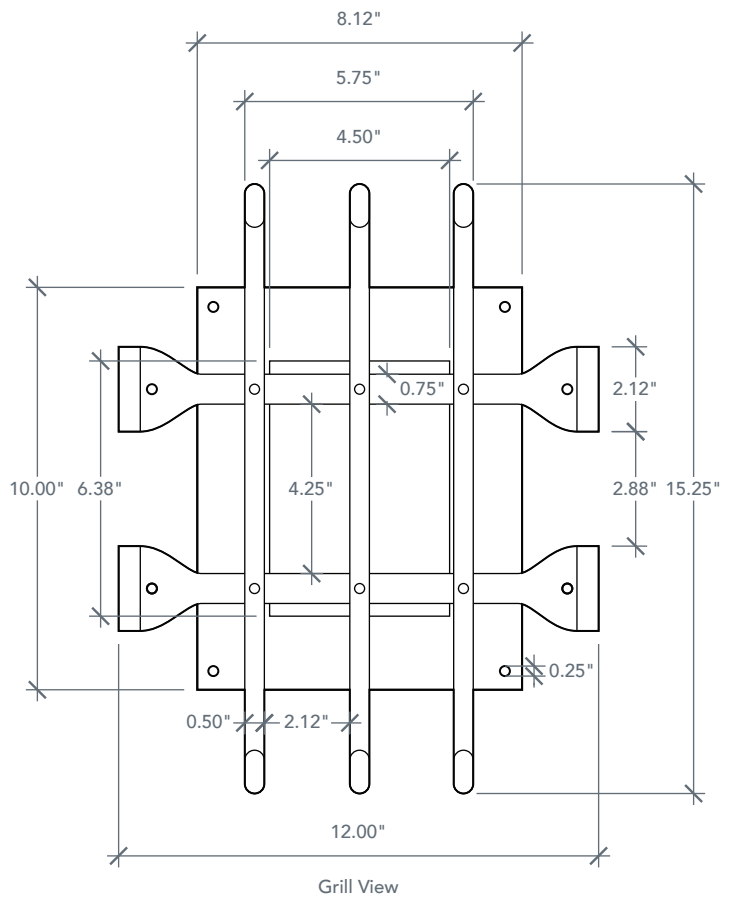
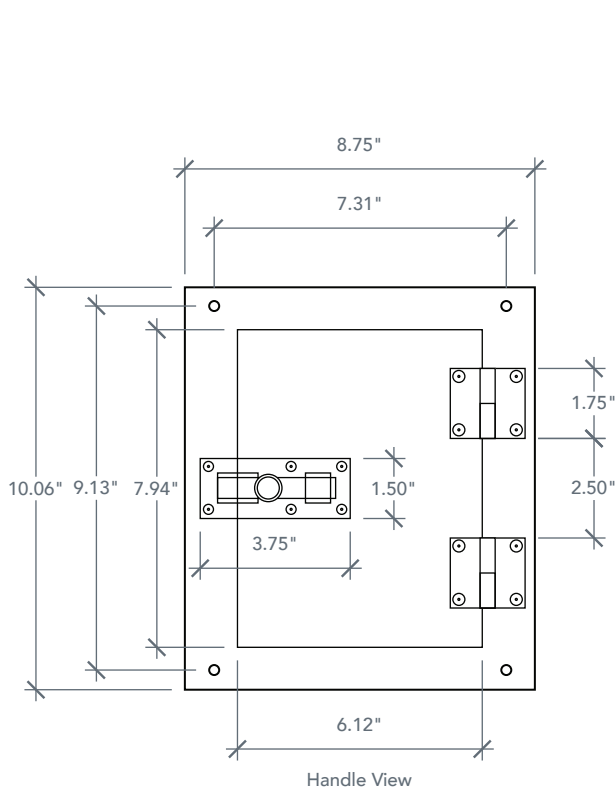
**Matching Doors:**  
Rustic Door Series



# ACCSPKY0910KIT WROUGHT IRON SPEAKEASY KIT

## ACCESSORY DIMENSIONS

ARTWORK NOT TO SCALE



## ACCESSORY INFO

### Pieces in Set: 3

Internal Frame - 8 3/4" x 10 1/16"

External Frame - 8 1/8" x 10"

Grill - 12" x 15 1/4"

### Glass Type:

Clear

### Door Cutout:

7" x 9"

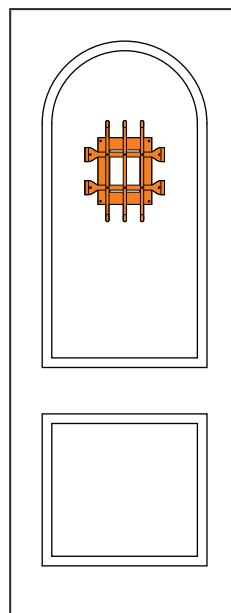
### Matching Doors:

DRA2A | Spec Page 53

DRA2B | Spec Page 55

DRA2D | Spec Page 56

DRA2R80 | Spec Page 58

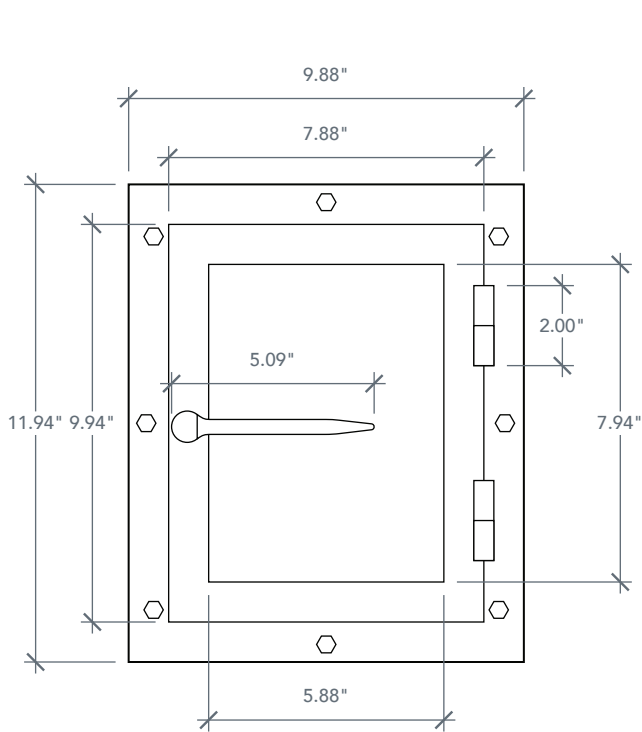




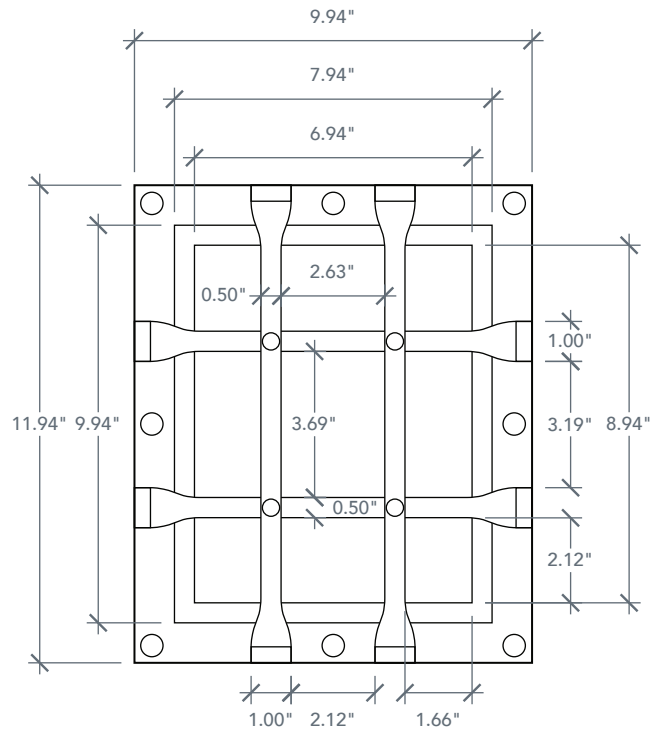
# ACCSPKYGSB0KIT WROUGHT IRON SPEAKEASY KIT

## ACCESSORY DIMENSIONS

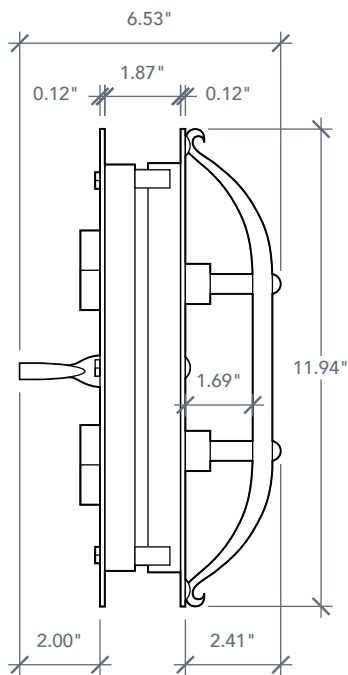
ARTWORK NOT TO SCALE



Handle View



Grill View



Side View

## ACCESSORY INFO

### Pieces in Set: 2

Internal Frame -  $9 \frac{7}{8}'' \times 11 \frac{15}{16}''$   
 External Frame -  $9 \frac{15}{16}'' \times 11 \frac{15}{16}''$

### Glass Type:

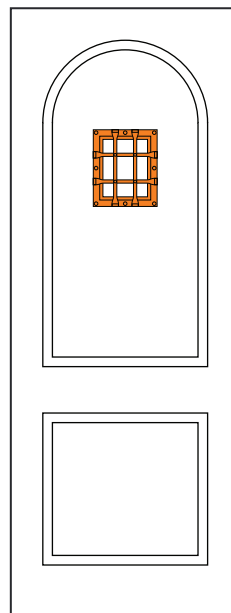
Sea Spray Glass

### Door Cutout:

$9 \frac{1}{8}'' \times 11 \frac{1}{8}''$

### Matching Doors:

DRA2A | Spec Page 53  
 DRA2B | Spec Page 55  
 DRA2D | Spec Page 56  
 DRA2R80 | Spec Page 58



## MAHOGANY SERIES

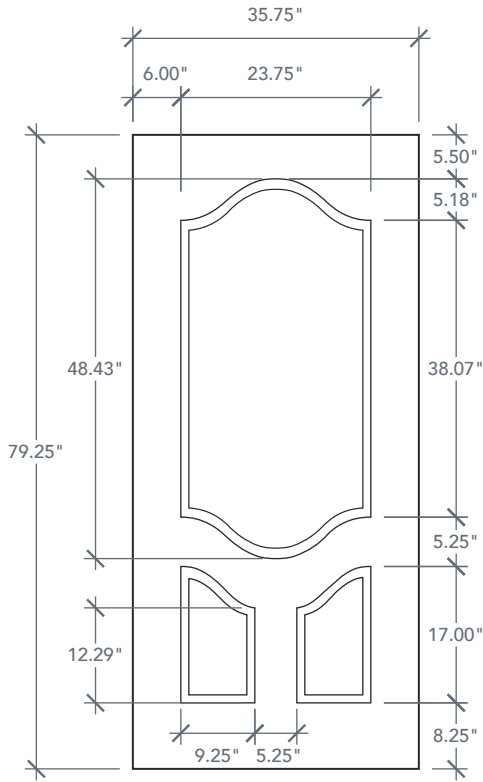
The Mahogany Series seamlessly blends red and brown tones to sculpt a beloved, wood texture that is irresistible to the eye. This series effortlessly embodies traditional, timeless styles that are made to radiate beauty and elegance throughout your home. Our perfectly crafted wood panels can be paired with any of our decorative glass options which explains why these fiberglass doors are a hot commodity. This line is also compatible with any layout you desire, giving you the freedom to transform your home into your masterpiece.

**PG 64 - 73**

# 6'8" DRM3D THREE PANEL DELUXE DOOR

AVAILABLE SIZING

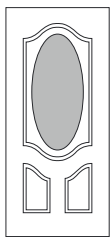
ARTWORK SCALE: 1/2"=1'



**3' 0" x 6' 8"**

NOTE: BY REQUEST, DOOR HEIGHT COMES IN VARYING DIMENSIONS TO A MINIMUM OF 79". EXCESS WILL BE TAKEN FROM BOTTOM RAIL. ALL OTHER DIMENSIONS WILL REMAIN THE SAME.

## CUTOUTS & GLASS



**3/4 OVAL LITE**  
3/2

3'0" Cutout 17.84" x 40.12"  
Glass 16.78" x 38.72"

OVAL CUTOUT IS CENTERED IN PANEL HEIGHT

## MATCHING SIDELITES



SLM3D

Available Widths:

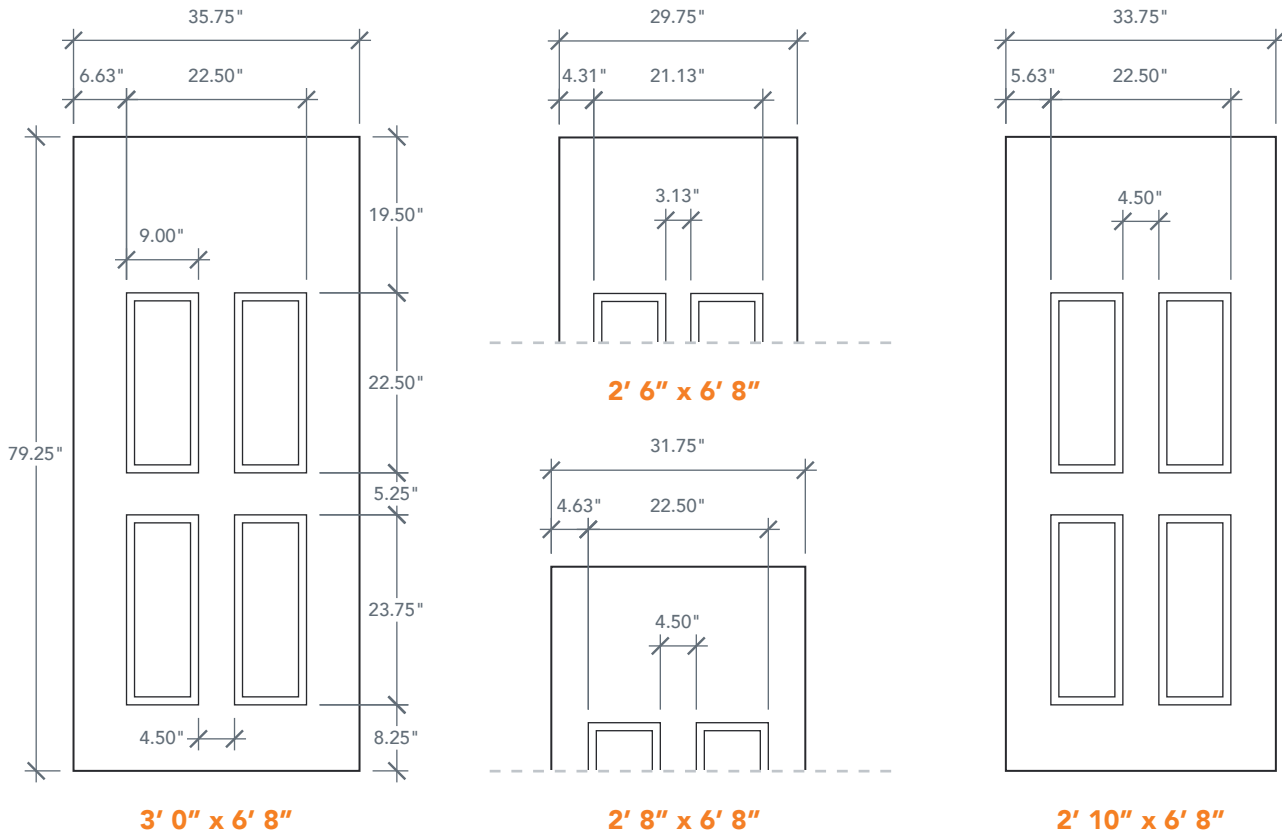
1' 0"  
1' 2"

Spec Page = 70

# 6'8" DRM40 FOUR PANEL BLANK TOP DOOR

AVAILABLE SIZING

ARTWORK SCALE: 1/2"=1'



NOTE: BY REQUEST, DOOR HEIGHT COMES IN VARYING DIMENSIONS TO A MINIMUM OF 79". EXCESS WILL BE TAKEN FROM BOTTOM RAIL. ALL OTHER DIMENSIONS WILL REMAIN THE SAME.

## CUTOUTS & GLASS

	<table border="1"> <tr> <th colspan="3">HALF ROUND LITE</th> </tr> <tr> <td colspan="3">HR1</td> </tr> <tr> <td>2'8"</td> <td rowspan="2">Cutout</td> <td>23" x 11"</td> </tr> <tr> <td>2'10"</td> <td>22" x 10"</td> </tr> <tr> <td>3'0"</td> <td>Glass</td> <td>22" x 10"</td> </tr> </table>	HALF ROUND LITE			HR1			2'8"	Cutout	23" x 11"	2'10"	22" x 10"	3'0"	Glass	22" x 10"		<table border="1"> <tr> <th colspan="3">HALF LITE</th> </tr> <tr> <td colspan="3">HL3</td> </tr> <tr> <td>2'6"</td> <td rowspan="2">Cutout</td> <td>21" x 37"</td> </tr> <tr> <td></td> <td>Glass</td> <td>20" x 36"</td> </tr> <tr> <td colspan="3">HL4</td> </tr> <tr> <td>2'8"</td> <td rowspan="2">Cutout</td> <td>23" x 37"</td> </tr> <tr> <td>2'10"</td> <td>Glass</td> <td>22" x 36"</td> </tr> <tr> <td>3'0"</td> <td></td> <td></td> </tr> </table>	HALF LITE			HL3			2'6"	Cutout	21" x 37"		Glass	20" x 36"	HL4			2'8"	Cutout	23" x 37"	2'10"	Glass	22" x 36"	3'0"				<table border="1"> <tr> <th colspan="3">FULL LITE</th> </tr> <tr> <td colspan="3">FL5</td> </tr> <tr> <td>2'6"</td> <td rowspan="2">Cutout</td> <td>21" x 65"</td> </tr> <tr> <td></td> <td>Glass</td> <td>20" x 64"</td> </tr> <tr> <td colspan="3">FL7</td> </tr> <tr> <td>2'8"</td> <td rowspan="2">Cutout</td> <td>23" x 65"</td> </tr> <tr> <td>2'10"</td> <td>Glass</td> <td>22" x 64"</td> </tr> <tr> <td>3'0"</td> <td></td> <td></td> </tr> </table>	FULL LITE			FL5			2'6"	Cutout	21" x 65"		Glass	20" x 64"	FL7			2'8"	Cutout	23" x 65"	2'10"	Glass	22" x 64"	3'0"		
	HALF ROUND LITE																																																																		
HR1																																																																			
2'8"	Cutout	23" x 11"																																																																	
2'10"		22" x 10"																																																																	
3'0"	Glass	22" x 10"																																																																	
HALF LITE																																																																			
HL3																																																																			
2'6"	Cutout	21" x 37"																																																																	
		Glass	20" x 36"																																																																
HL4																																																																			
2'8"	Cutout	23" x 37"																																																																	
2'10"		Glass	22" x 36"																																																																
3'0"																																																																			
FULL LITE																																																																			
FL5																																																																			
2'6"	Cutout	21" x 65"																																																																	
		Glass	20" x 64"																																																																
FL7																																																																			
2'8"	Cutout	23" x 65"																																																																	
2'10"		Glass	22" x 64"																																																																
3'0"																																																																			
	A = 4.0"		A = 5.0"		A = 5.0"																																																														

A = DISTANCE FROM TOP OF DOOR TO TOP OF OPENING

## MATCHING SIDELITES

SLM60

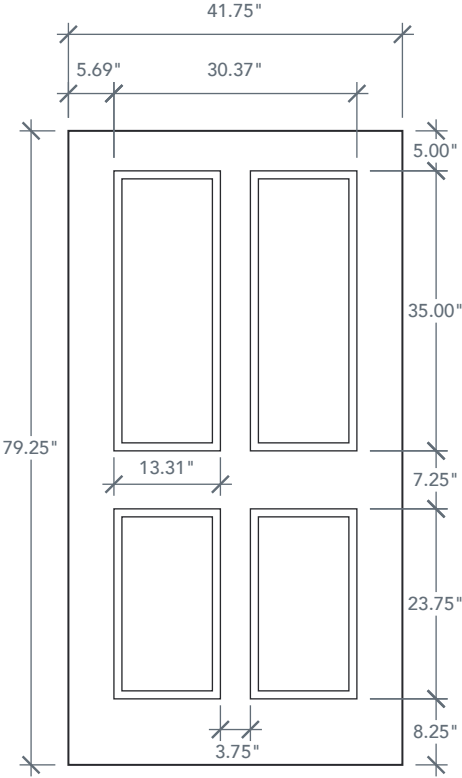
Available Widths:  
1' 0"  
1' 2"

Spec Page = 71

# 6'8" DRM41 TRUE FOUR PANEL DOOR

AVAILABLE SIZING

ARTWORK SCALE: 1/2"=1'



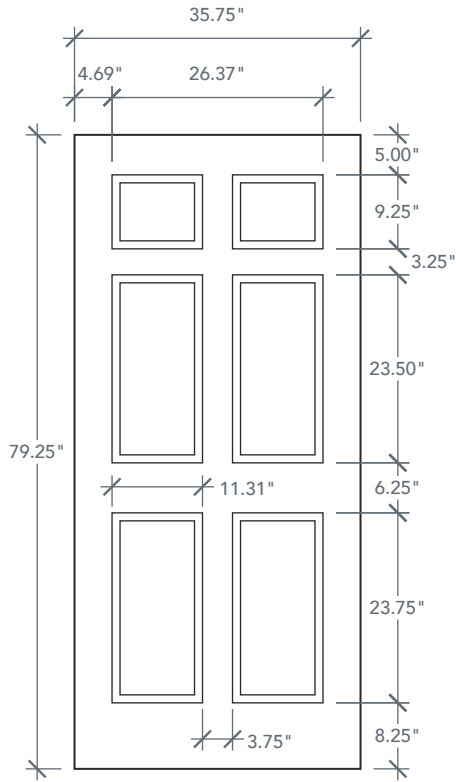
**3' 6" x 6' 8"**

NOTE: BY REQUEST, DOOR HEIGHT COMES IN VARYING DIMENSIONS TO A MINIMUM OF 79". EXCESS WILL BE TAKEN FROM BOTTOM RAIL. ALL OTHER DIMENSIONS WILL REMAIN THE SAME.

# 6'8" DRM60 SIX PANEL DOOR

AVAILABLE SIZING

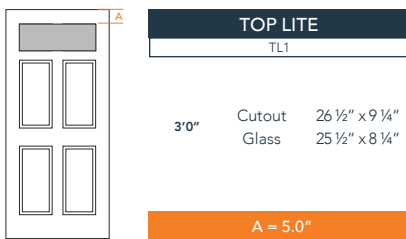
ARTWORK SCALE: 1/2"=1'



**3' 0" x 6' 8"**

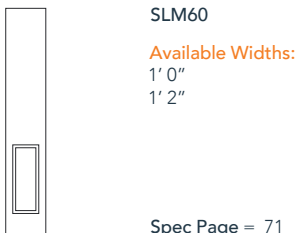
NOTE: BY REQUEST, DOOR HEIGHT COMES IN VARYING DIMENSIONS TO A MINIMUM OF 79". EXCESS WILL BE TAKEN FROM BOTTOM RAIL. ALL OTHER DIMENSIONS WILL REMAIN THE SAME.

## CUTOUTS & GLASS



A = DISTANCE FROM TOP OF DOOR TO TOP OF OPENING

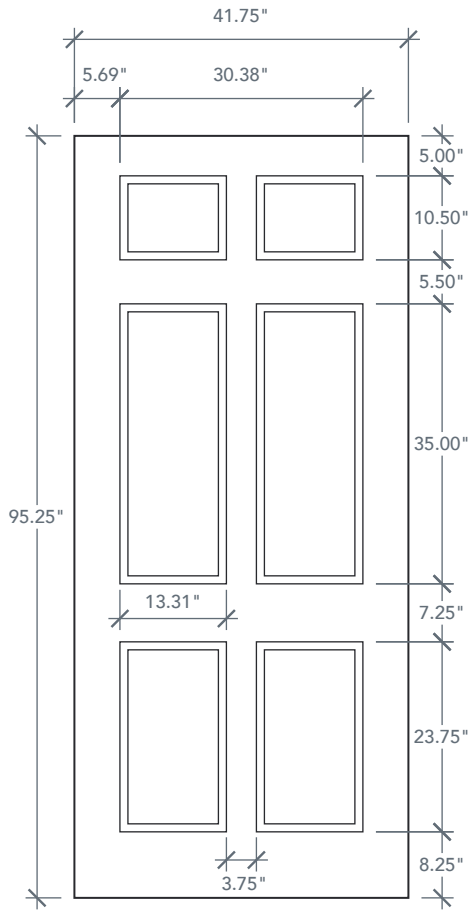
## MATCHING SIDELITES



# 8'0" DRM6080 SIX PANEL DOOR

## AVAILABLE SIZING

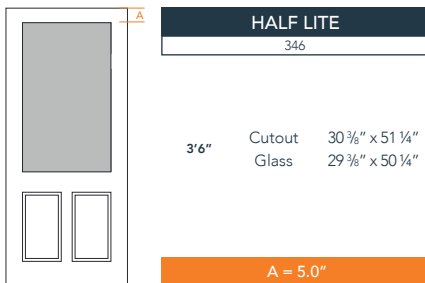
ARTWORK SCALE: 1/2"=1'



**3' 6" x 8' 0"**

NOTE: BY REQUEST, DOOR HEIGHT COMES IN VARYING DIMENSIONS TO A MINIMUM OF 95". EXCESS WILL BE TAKEN FROM BOTTOM RAIL. ALL OTHER DIMENSIONS WILL REMAIN THE SAME.

## CUTOUTS & GLASS



A = DISTANCE FROM TOP OF DOOR TO TOP OF OPENING

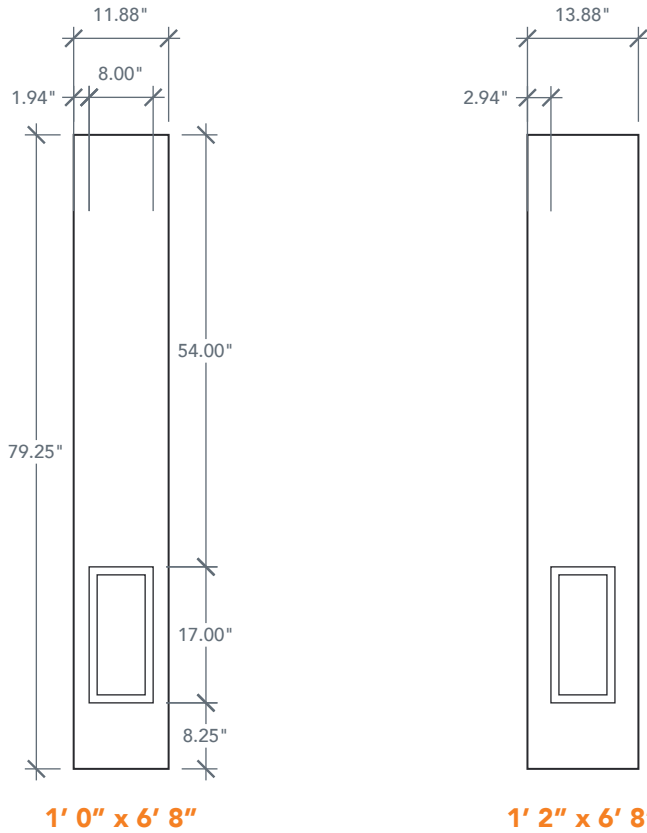
## MATCHING SIDELITES



# 6'8" SLM3D 3/4 DELUXE SIDELITE

AVAILABLE SIZING

ARTWORK SCALE: 1/2"=1'

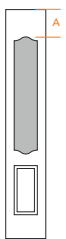


1' 0" x 6' 8"

1' 2" x 6' 8"

NOTE: BY REQUEST, SIDELITE HEIGHT COMES IN VARYING DIMENSIONS TO A MINIMUM OF 79". EXCESS WILL BE TAKEN FROM BOTTOM RAIL. ALL OTHER DIMENSIONS WILL REMAIN THE SAME.

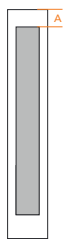
## CUTOUTS & GLASS



**3/4 OVAL LITE**  
3V1

ALL Cutout 8" x 40 1/2"  
Glass 7" x 39 1/2"

A = 9.47"



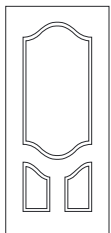
**FULL LITE**  
FL1

ALL Cutout 8" x 65"  
Glass 7" x 64"

A = 6.0"

A = DISTANCE FROM TOP OF DOOR TO TOP OF OPENING

## MATCHING DOORS



DRM3D

Available Widths:  
3' 0"

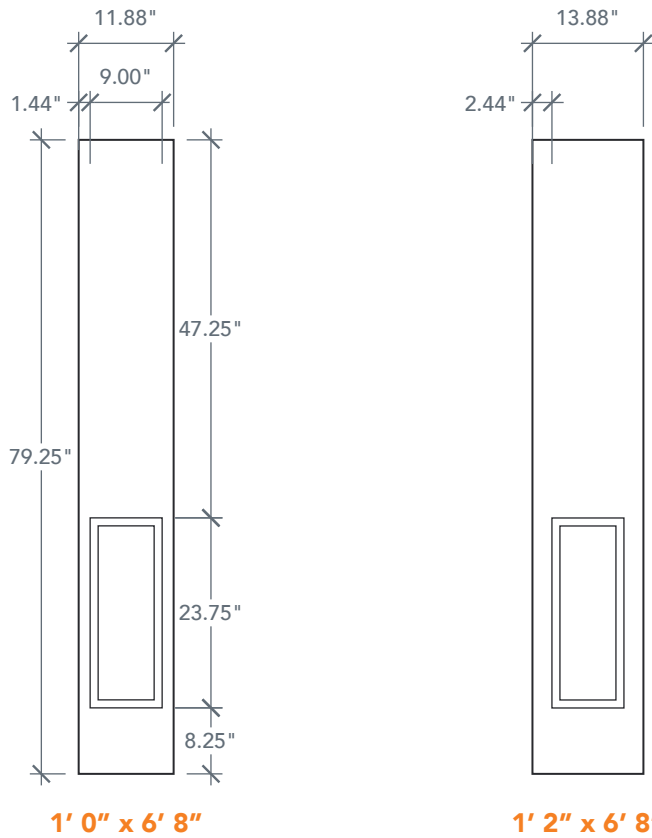
Spec Page = 65



# 6'8" SLM60 SIX PANEL SIDELITE

AVAILABLE SIZING

ARTWORK SCALE: 1/2"=1'



1' 0" x 6' 8"

1' 2" x 6' 8"

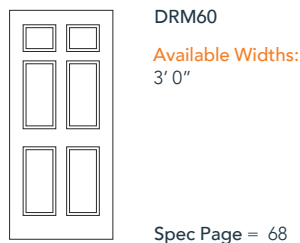
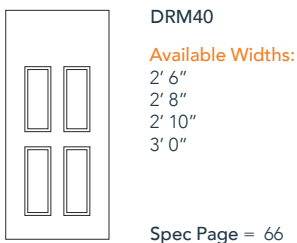
NOTE: BY REQUEST, SIDELITE HEIGHT COMES IN VARYING DIMENSIONS TO A MINIMUM OF 79". EXCESS WILL BE TAKEN FROM BOTTOM RAIL. ALL OTHER DIMENSIONS WILL REMAIN THE SAME.

## CUTOUTS & GLASS



A = DISTANCE FROM TOP OF DOOR TO TOP OF OPENING

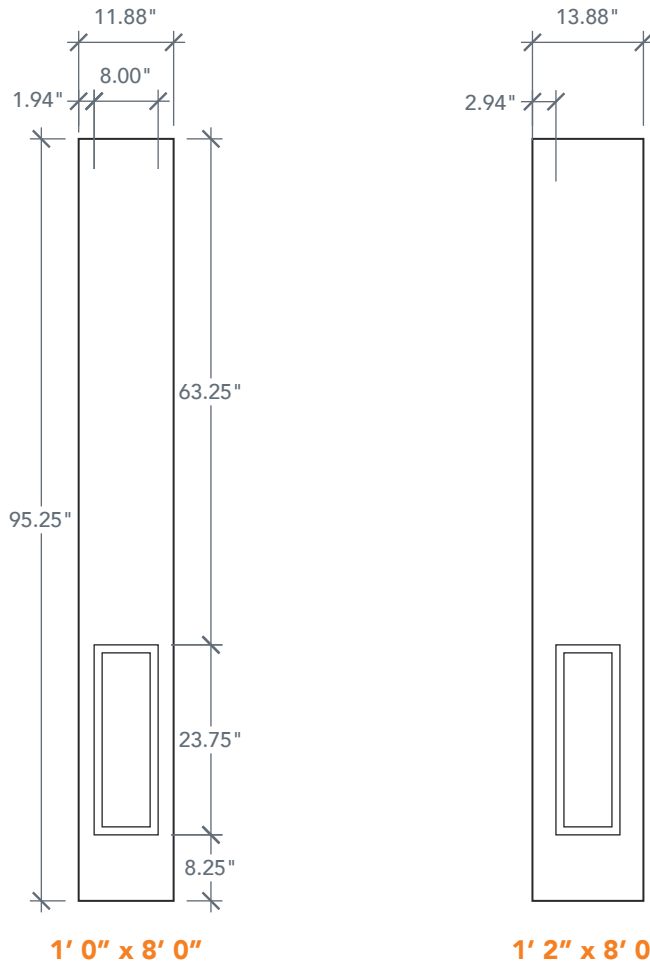
## MATCHING DOORS



# 8'0" SLM6080 SIX PANEL SIDELITE

## AVAILABLE SIZING

ARTWORK SCALE: 1/2"=1'



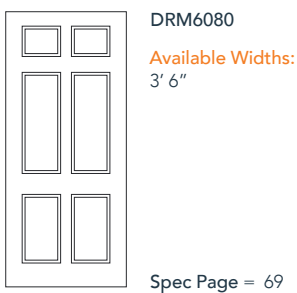
NOTE: BY REQUEST, SIDELITE HEIGHT COMES IN VARYING DIMENSIONS TO A MINIMUM OF 95". EXCESS WILL BE TAKEN FROM BOTTOM RAIL. ALL OTHER DIMENSIONS WILL REMAIN THE SAME.

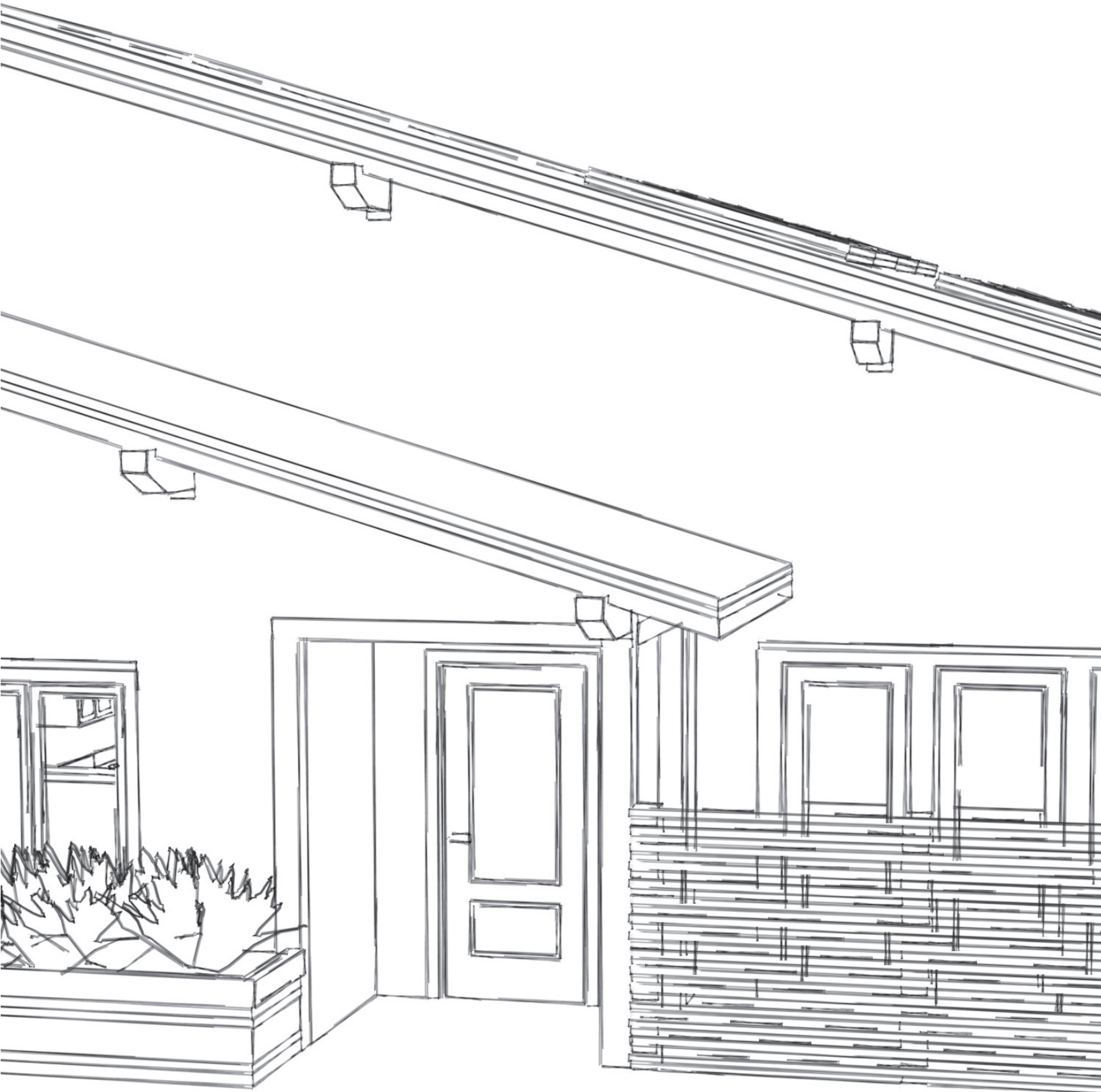
## CUTOUTS & GLASS



A = DISTANCE FROM TOP OF DOOR TO TOP OF OPENING

## MATCHING DOORS





## OAK SERIES

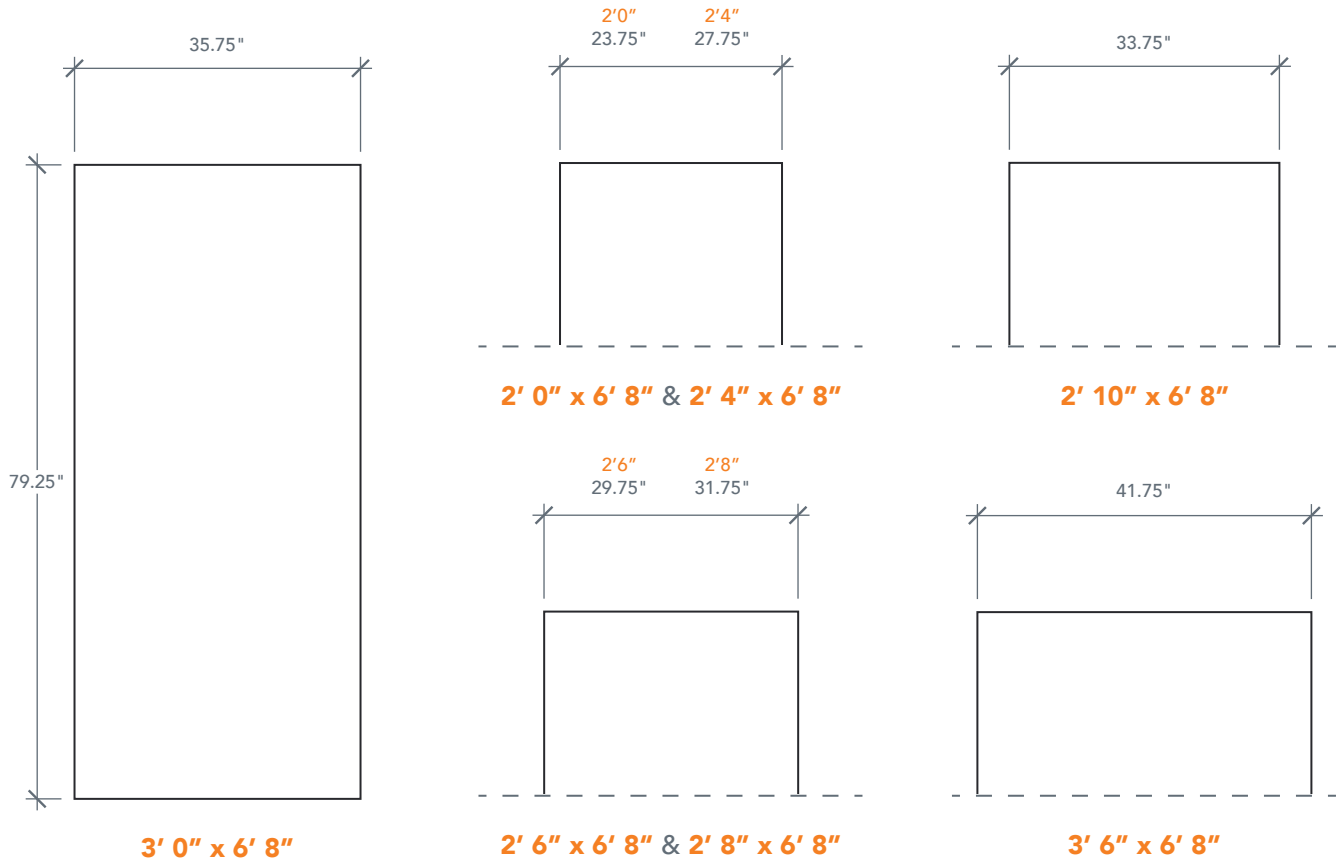
You can't go wrong selecting a door from Plastpro's most popular and finest series; The Oak Series. The rich, grain texture and intricate wood carvings deliver a classic look that all loved ones and guests will be infatuated by. The only thing stronger than the Oak grains door resistance is its magnetism and variability. We have many panel designs available so you can mix and match the Oak Series with our entire glass line to find the right, custom combination. Our Oak doors create a suitable look designed for any entryway and will never go out of style.

**PG 74 - 113**

# 6'8" DRG00 FLUSH DOOR

AVAILABLE SIZING

ARTWORK SCALE: 1/2"=1'



NOTE: BY REQUEST, DOOR HEIGHT COMES IN VARYING DIMENSIONS TO A MINIMUM OF 79". EXCESS WILL BE TAKEN FROM BOTTOM RAIL. ALL OTHER DIMENSIONS WILL REMAIN THE SAME.

## CUTOUTS & GLASS

	<b>FULL LITE</b>	
	FL5	
2'6"	Cutout	21" x 65"
	Glass	20" x 64"
	FL7	
2'8"	Cutout	23" x 65"
2'10"	Glass	22" x 64"
3'0"		
A = 6.0"		

A = DISTANCE FROM TOP OF DOOR TO TOP OF OPENING

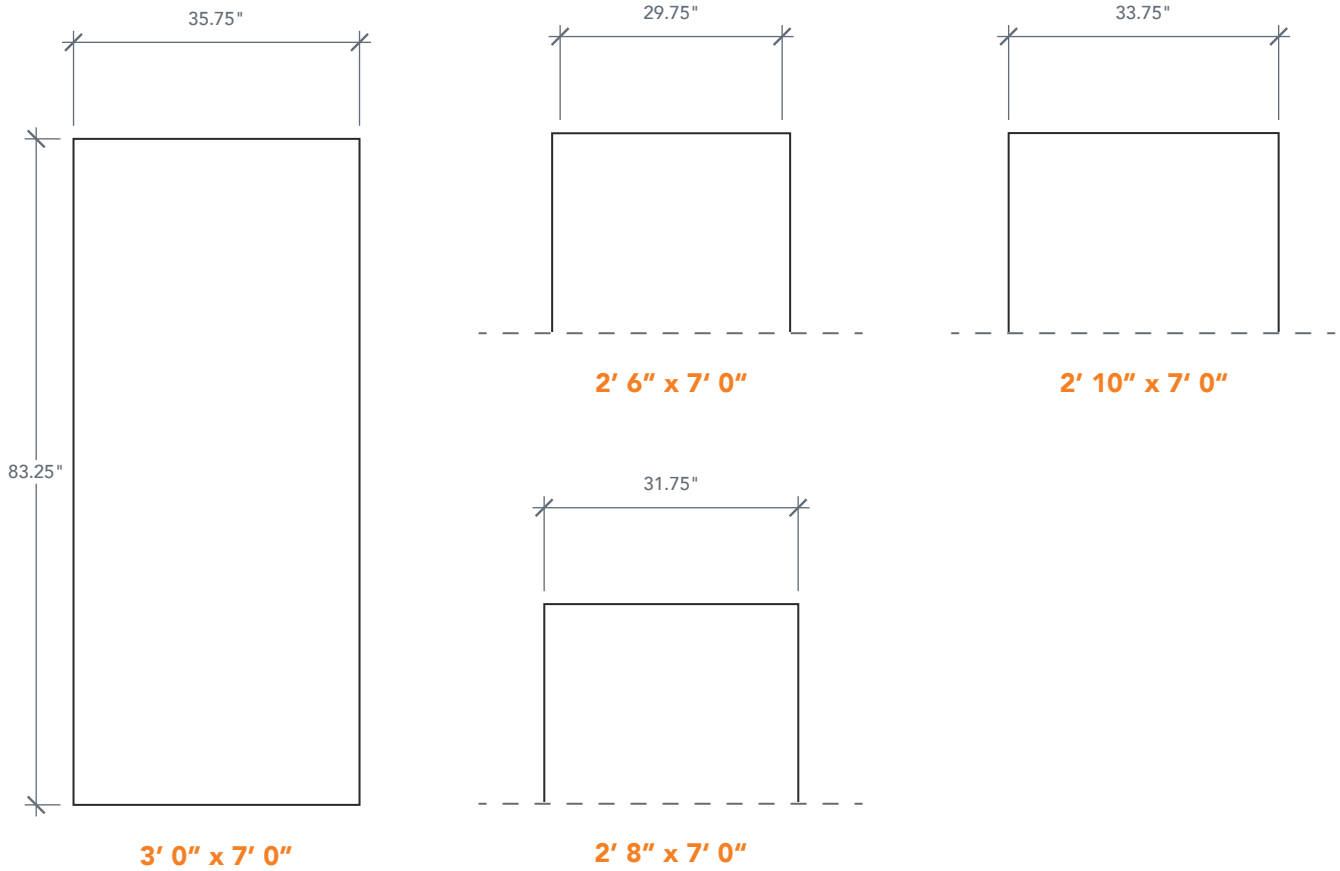
## MATCHING SIDELITES

	SLG00
	Available Widths:
	1'0"
	1'2"
	Spec Page = 101

# 7'0" DRG0070 FLUSH DOOR

AVAILABLE SIZING

ARTWORK SCALE: 1/2"=1'



NOTE: BY REQUEST, DOOR HEIGHT COMES IN VARYING DIMENSIONS TO A MINIMUM OF 83". EXCESS WILL BE TAKEN FROM BOTTOM RAIL. ALL OTHER DIMENSIONS WILL REMAIN THE SAME.

## CUTOUTS & GLASS

	<b>FULL LITE</b>		
	FL5		
	2'6"	Cutout	21" x 65"
		Glass	20" x 64"
FL7			
2'8"	Cutout	23" x 65"	
2'10"	Glass	22" x 64"	
3'0"			
A = 7.5"			

A = DISTANCE FROM TOP OF DOOR TO TOP OF OPENING

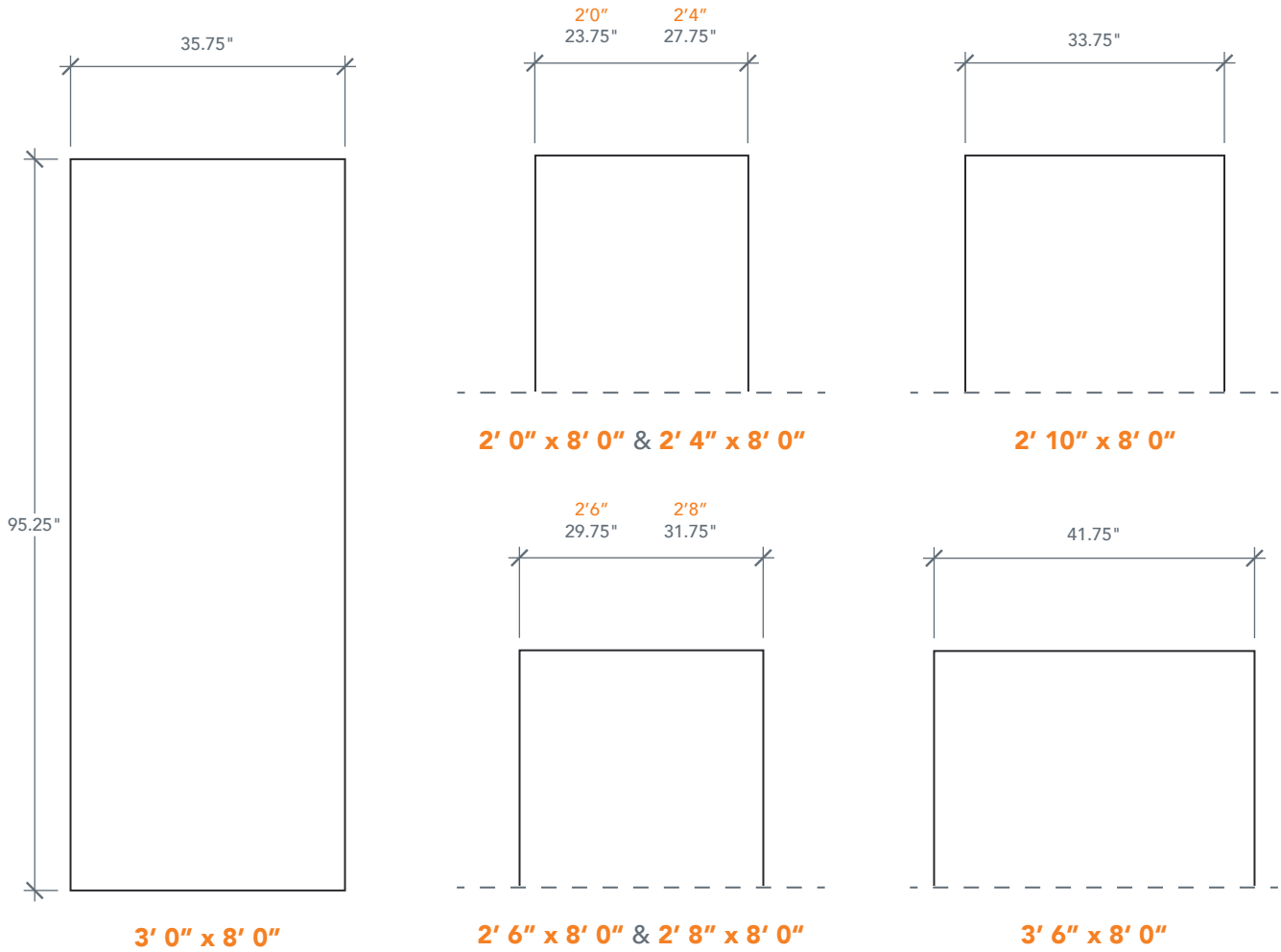
## MATCHING SIDELITES

	SLG0070
	Available Widths:
	1' 0" 1' 2"
Spec Page = 102	

# 8'0" DRG0080 FLUSH DOOR

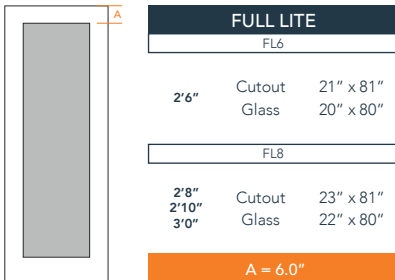
## AVAILABLE SIZING

ARTWORK SCALE: 1/2"=1'



NOTE: BY REQUEST, DOOR HEIGHT COMES IN VARYING DIMENSIONS TO A MINIMUM OF 95". EXCESS WILL BE TAKEN FROM BOTTOM RAIL. ALL OTHER DIMENSIONS WILL REMAIN THE SAME.

## CUTOUTS & GLASS



A = DISTANCE FROM TOP OF DOOR TO TOP OF OPENING

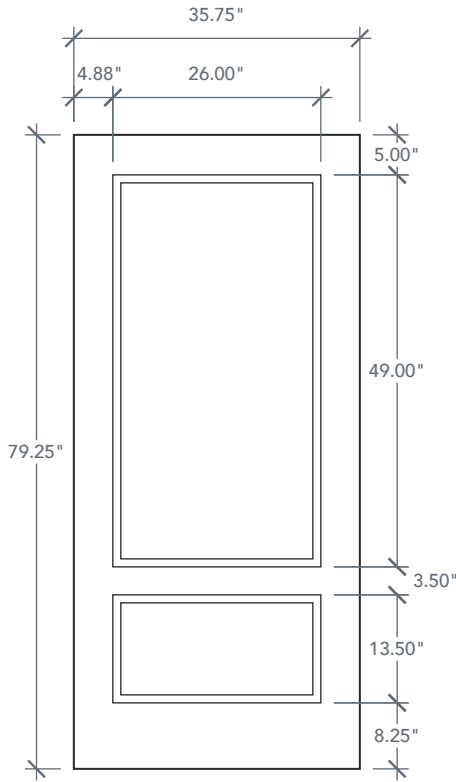
## MATCHING SIDELITES



# 6'8" DRG20 3/4 HERITAGE DOOR

AVAILABLE SIZING

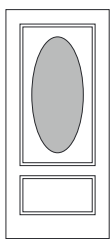
ARTWORK SCALE: 1/2"=1'



**3' 0" x 6' 8"**

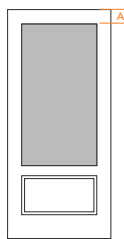
NOTE: BY REQUEST, DOOR HEIGHT COMES IN VARYING DIMENSIONS TO A MINIMUM OF 79". EXCESS WILL BE TAKEN FROM BOTTOM RAIL. ALL OTHER DIMENSIONS WILL REMAIN THE SAME.

## CUTOUTS & GLASS



**3/4 OVAL LITE**  
3V2

3'0" Cutout 17.84" x 40.12"  
Glass 16.78" x 38.72"



**3/4 LITE**  
343

3'0" Cutout 26" x 49"  
Glass 25" x 48"

A = 5.0"

OVAL IS CENTERED IN PANEL HEIGHT

A = DISTANCE FROM TOP OF DOOR TO TOP OF OPENING

## MATCHING SIDELITES



SLG3E

Available Widths:  
1' 0"  
1' 2"

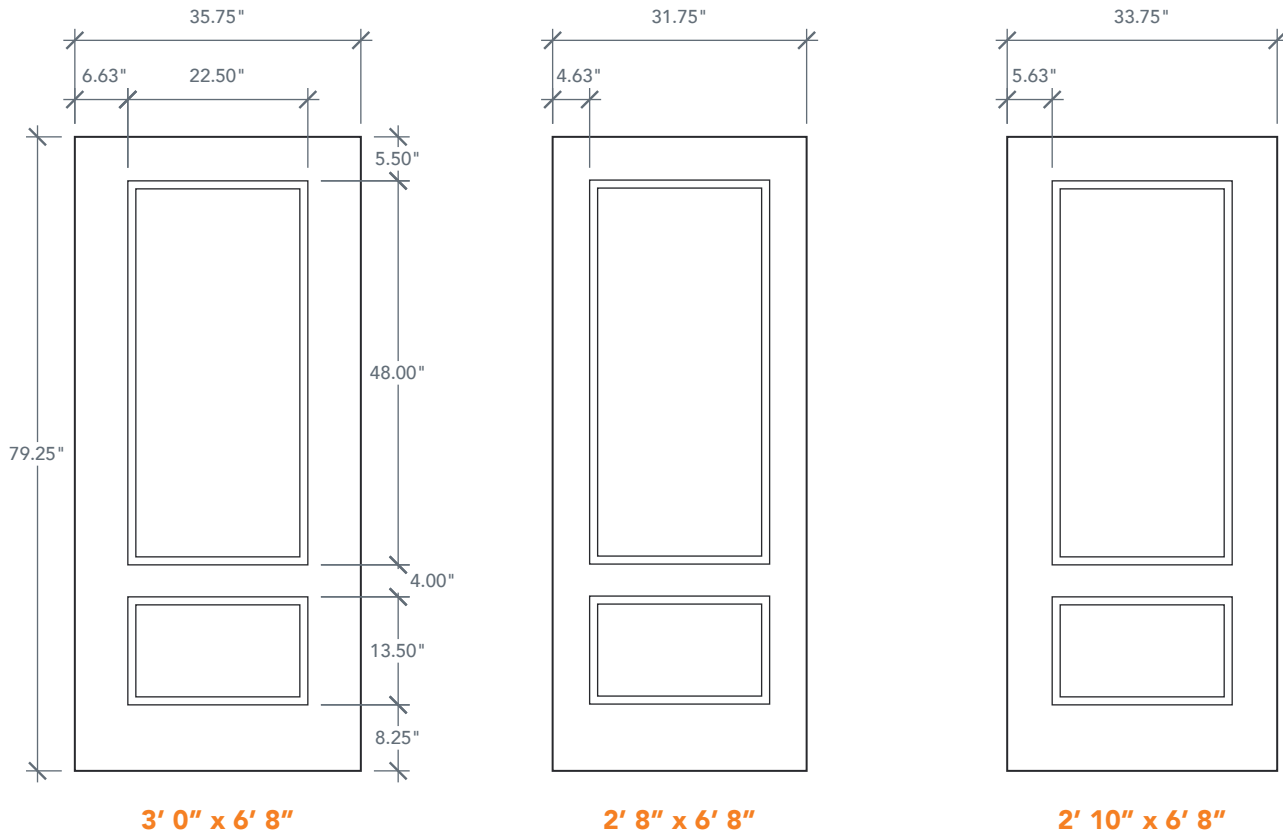
Spec Page = 104



# 6'8" DRG29 3/4 TWO PANEL DOOR

AVAILABLE SIZING

ARTWORK SCALE: 1/2"=1'



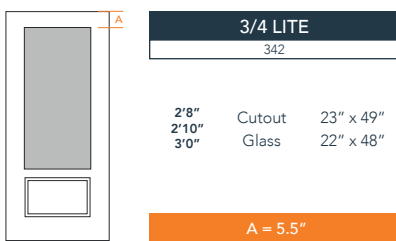
**3' 0" x 6' 8"**

**2' 8" x 6' 8"**

**2' 10" x 6' 8"**

NOTE: BY REQUEST, DOOR HEIGHT COMES IN VARYING DIMENSIONS TO A MINIMUM OF 79". EXCESS WILL BE TAKEN FROM BOTTOM RAIL. ALL OTHER DIMENSIONS WILL REMAIN THE SAME.

## CUTOUTS & GLASS

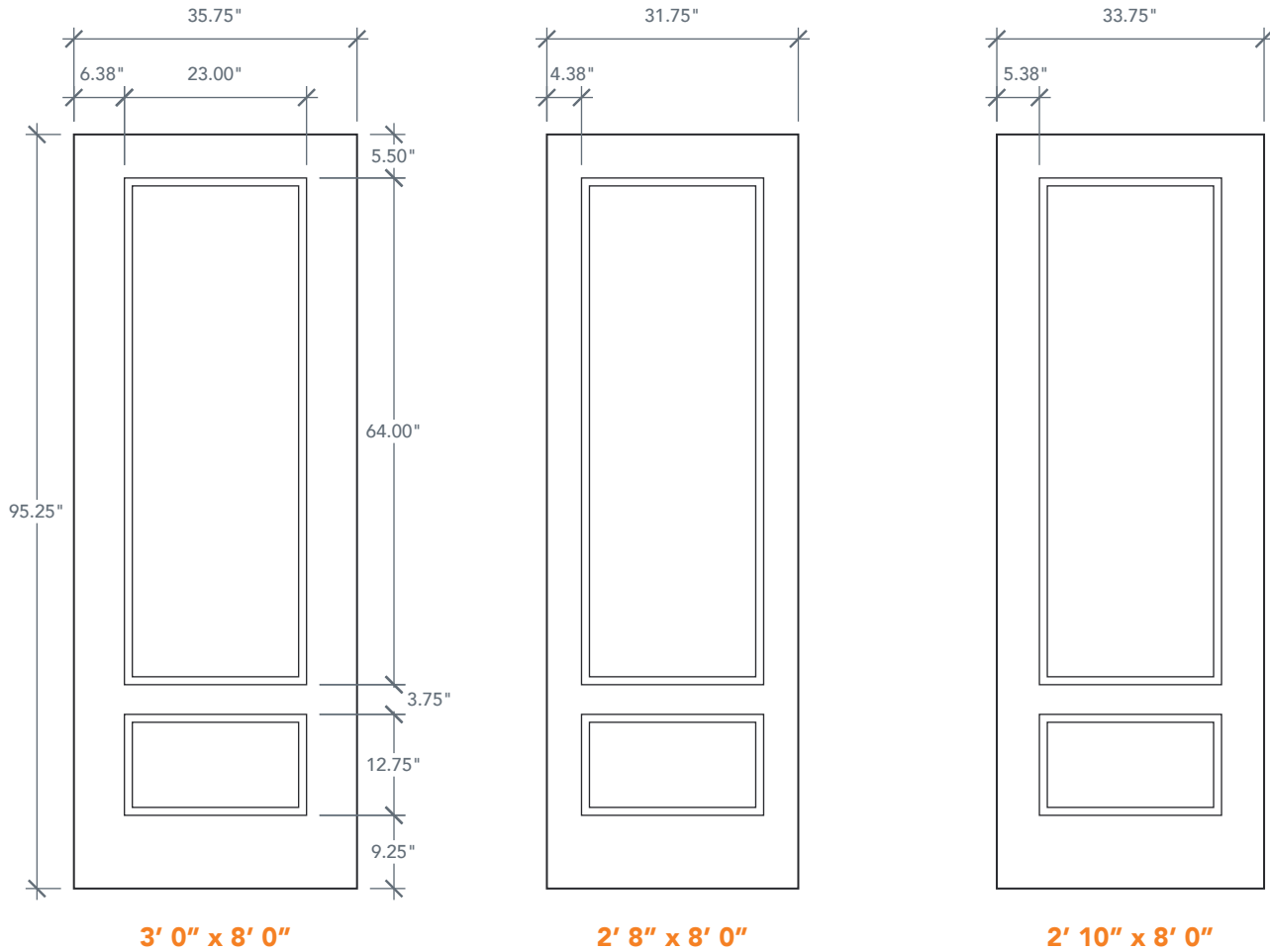


A = DISTANCE FROM TOP OF DOOR TO TOP OF OPENING

# 8'0" DRG2980 3/4 TWO PANEL DOOR

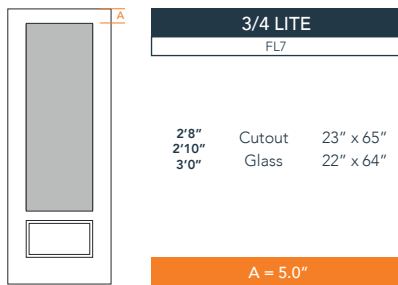
## AVAILABLE SIZING

ARTWORK SCALE: 1/2"=1'



NOTE: BY REQUEST, DOOR HEIGHT COMES IN VARYING DIMENSIONS TO A MINIMUM OF 95". EXCESS WILL BE TAKEN FROM BOTTOM RAIL. ALL OTHER DIMENSIONS WILL REMAIN THE SAME.

## CUTOUTS & GLASS



A = DISTANCE FROM TOP OF DOOR TO TOP OF OPENING

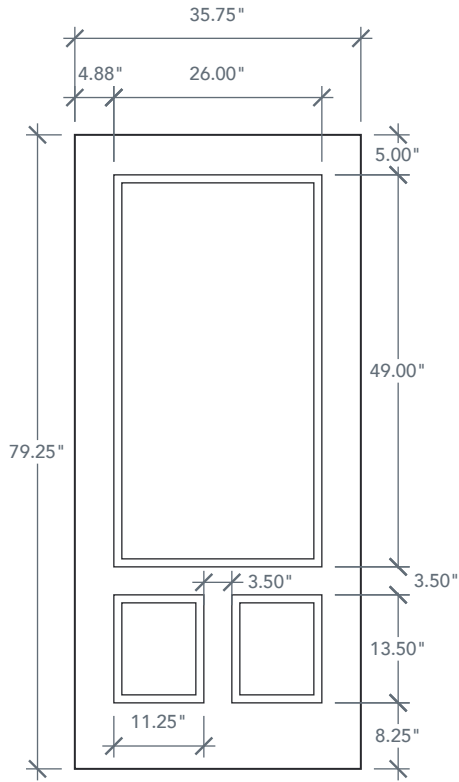
## MATCHING SIDELITES



# 6'8" DRG3E 3/4 ELITE DOOR

AVAILABLE SIZING

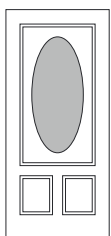
ARTWORK SCALE: 1/2"=1'



**3' 0" x 6' 8"**

NOTE: BY REQUEST, DOOR HEIGHT COMES IN VARYING DIMENSIONS TO A MINIMUM OF 79". EXCESS WILL BE TAKEN FROM BOTTOM RAIL. ALL OTHER DIMENSIONS WILL REMAIN THE SAME.

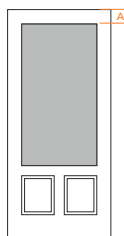
## CUTOUTS & GLASS



**3/4 OVAL LITE**  
3V2

3'0" Cutout 17.84" x 40.12"  
Glass 16.78" x 38.72"

OVAL IS CENTERED IN PANEL HEIGHT



**3/4 LITE**  
343

3'0" Cutout 26" x 49"  
Glass 25" x 48"

A = 5.0"

A = DISTANCE FROM TOP OF DOOR TO TOP OF OPENING

## MATCHING SIDELITES



SLG3E

Available Widths:

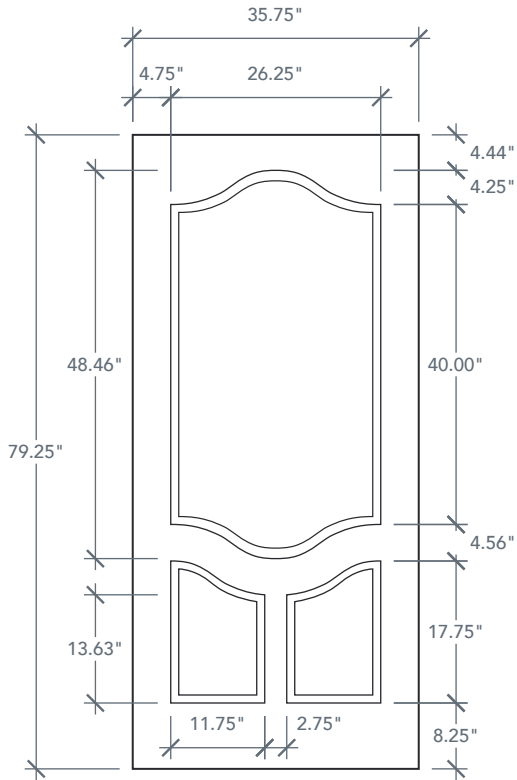
1' 0"  
1' 2"

Spec Page = 104

# 6'8" DRG3P 3/4 PREMIUM DOOR

AVAILABLE SIZING

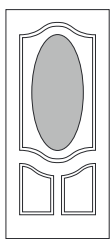
ARTWORK SCALE: 1/2"=1'



**3' 0" x 6' 8"**

NOTE: BY REQUEST, DOOR HEIGHT COMES IN VARYING DIMENSIONS TO A MINIMUM OF 79". EXCESS WILL BE TAKEN FROM BOTTOM RAIL. ALL OTHER DIMENSIONS WILL REMAIN THE SAME.

## CUTOUTS & GLASS



**3/4 OVAL LITE**  
3V2

3'0" Cutout 17.84" x 40.12"  
Glass 16.78" x 38.72"

OVAL IS CENTERED IN PANEL HEIGHT

## MATCHING SIDELITES



SLG3P

Available Widths:

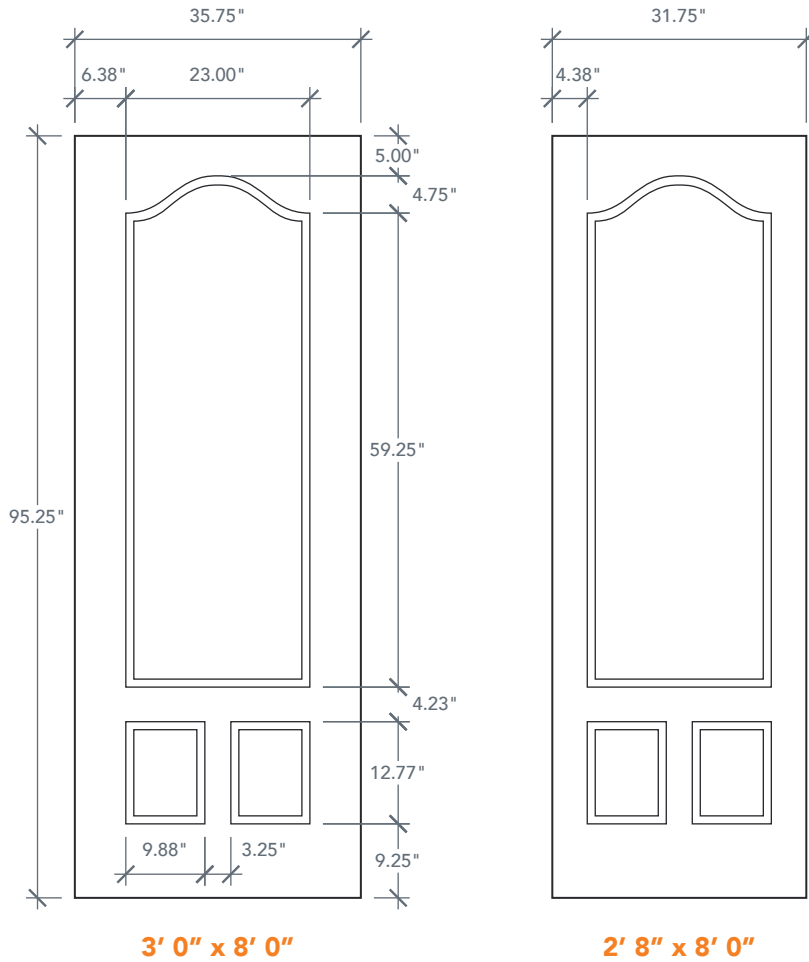
1' 0"  
1' 2"

Spec Page = 105

# 8'0" DRG3080 3/4 THREE PANEL DOOR

## AVAILABLE SIZING

ARTWORK SCALE: 1/2"=1'

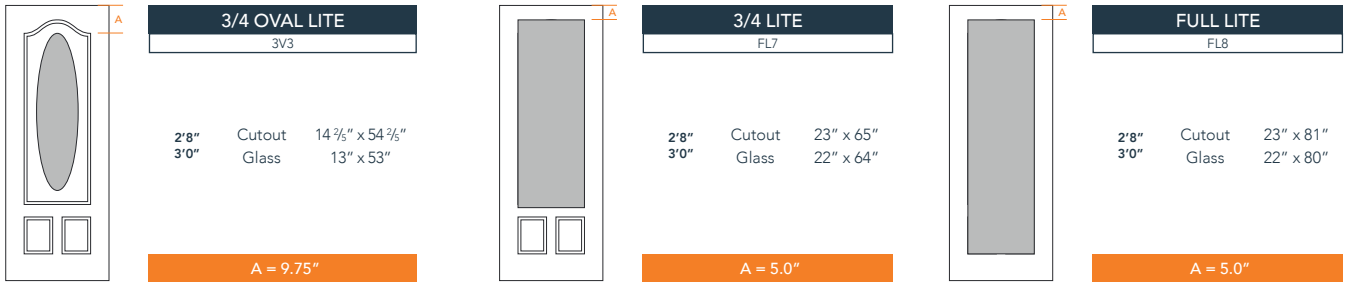


**3' 0" x 8' 0"**

**2' 8" x 8' 0"**

NOTE: BY REQUEST, DOOR HEIGHT COMES IN VARYING DIMENSIONS TO A MINIMUM OF 95". EXCESS WILL BE TAKEN FROM BOTTOM RAIL. ALL OTHER DIMENSIONS WILL REMAIN THE SAME.

## CUTOUTS & GLASS



A = DISTANCE FROM TOP OF DOOR TO TOP OF OPENING

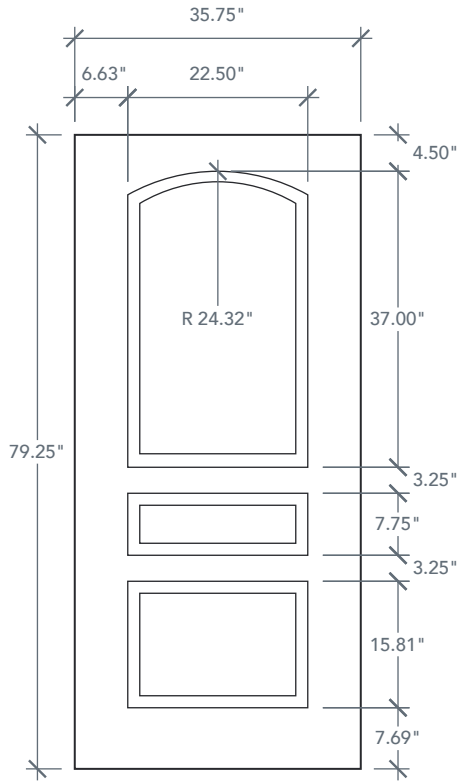
## MATCHING SIDELITES



# 6'8" DRG31 THREE PANEL DOOR

AVAILABLE SIZING

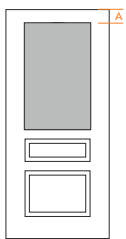
ARTWORK SCALE: 1/2"=1'



**3' 0" x 6' 8"**

NOTE: BY REQUEST, DOOR HEIGHT COMES IN VARYING DIMENSIONS TO A MINIMUM OF 79". EXCESS WILL BE TAKEN FROM BOTTOM RAIL. ALL OTHER DIMENSIONS WILL REMAIN THE SAME.

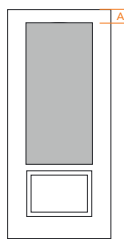
## CUTOUTS & GLASS



**HALF LITE**  
HL4

3'0" Cutout 23" x 37"  
Glass 22" x 36"

A = 4.5"



**3/4 LITE**  
342

3'0" Cutout 23" x 49"  
Glass 22" x 48"

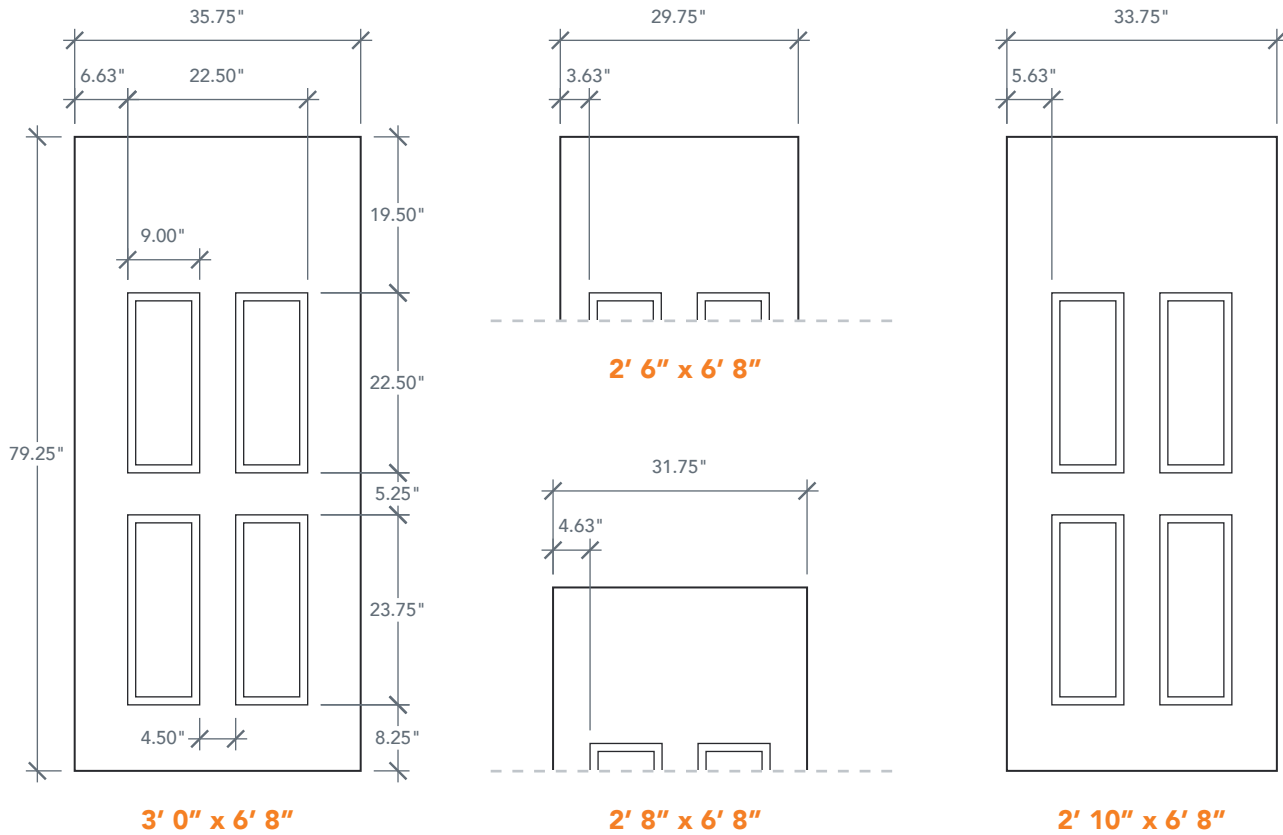
A = 4.5"

A = DISTANCE FROM TOP OF DOOR TO TOP OF OPENING

# 6'8" DRG40 FOUR PANEL BLANK TOP DOOR

AVAILABLE SIZING

ARTWORK SCALE: 1/2"=1'



NOTE: BY REQUEST, DOOR HEIGHT COMES IN VARYING DIMENSIONS TO A MINIMUM OF 79". EXCESS WILL BE TAKEN FROM BOTTOM RAIL. ALL OTHER DIMENSIONS WILL REMAIN THE SAME.

## CUTOUTS & GLASS

Diagram	Configuration	Dimensions	Distance A
	<b>HALF ROUND LITE</b> HR1	2'6" Cutout 23" x 11" 2'8" Glass 22" x 10" 2'10" 3'0"	A = 4.0"
	<b>HALF LITE</b> HL4	2'8" Cutout 23" x 37" 2'10" Glass 22" x 36" 3'0"	A = 5.0"
	<b>FULL LITE</b> FL7	2'8" Cutout 23" x 65" 2'10" Glass 22" x 64" 3'0"	A = 6.0"

A = DISTANCE FROM TOP OF DOOR TO TOP OF OPENING

## MATCHING SIDELITES

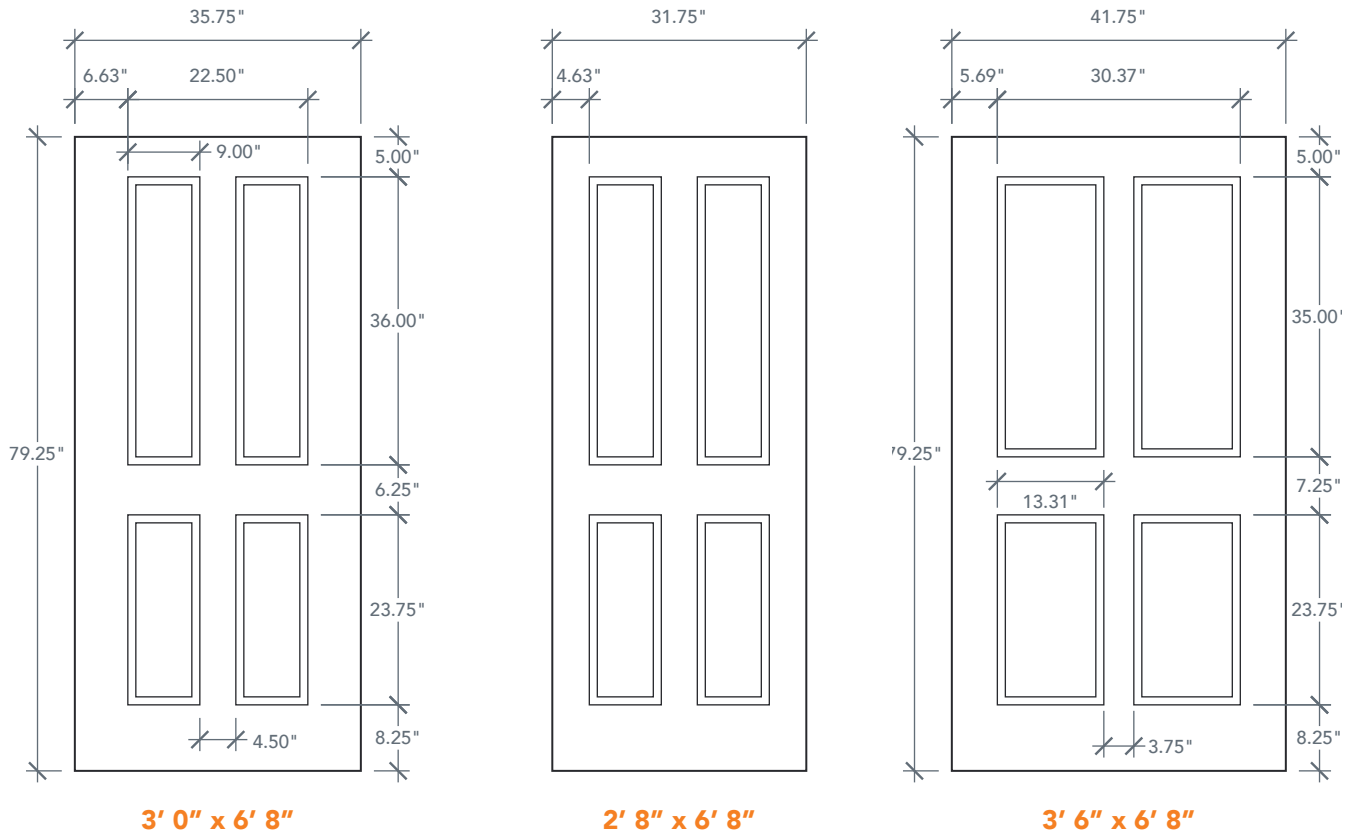
**SLG60**  
Available Widths:  
1' 0"  
1' 2"

Spec Page = 109

# 6'8" DRG41 TRUE FOUR PANEL DOOR

AVAILABLE SIZING

ARTWORK SCALE: 1/2"=1'



NOTE: BY REQUEST, DOOR HEIGHT COMES IN VARYING DIMENSIONS TO A MINIMUM OF 79". EXCESS WILL BE TAKEN FROM BOTTOM RAIL. ALL OTHER DIMENSIONS WILL REMAIN THE SAME.

## CUTOUTS & GLASS

**TWIN LITE**  
HL2

2'6"	Cutout	9" x 37"
2'8"		
2'10"	Glass	8" x 36"
3'0"		

A = 5.0"

**HALF LITE**  
HL4

2'8"	Cutout	23" x 37"
2'10"		
3'0"	Glass	22" x 36"

A = 5.0"

A = DISTANCE FROM TOP OF DOOR TO TOP OF OPENING

## MATCHING SIDELITES

**SLG60**

Available Widths:  
1' 0"  
1' 2"  
Note: does not match with 3'6" x 6'8"

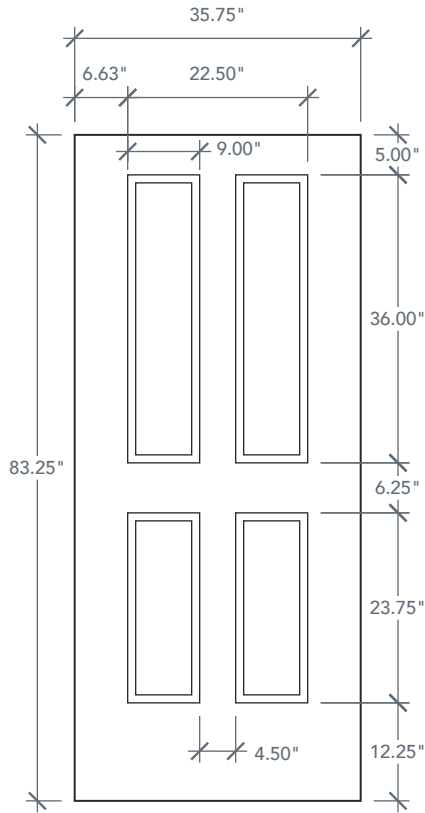
Spec Page = 109



# 7'0" DRG4170 TRUE FOUR PANEL DOOR

AVAILABLE SIZING

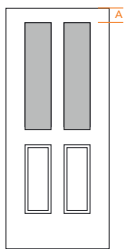
ARTWORK SCALE: 1/2"=1'



**3' 0" x 7' 0"**

NOTE: BY REQUEST, DOOR HEIGHT COMES IN VARYING DIMENSIONS TO A MINIMUM OF 83". EXCESS WILL BE TAKEN FROM BOTTOM RAIL. ALL OTHER DIMENSIONS WILL REMAIN THE SAME.

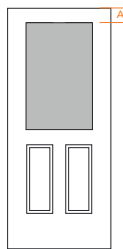
## CUTOUTS & GLASS



**TWIN LITE**  
HL2

3'0" Cutout 9" x 37"  
Glass 8" x 36"

A = 5.0"



**HALF LITE**  
HL4

3'0" Cutout 23" x 37"  
Glass 22" x 36"

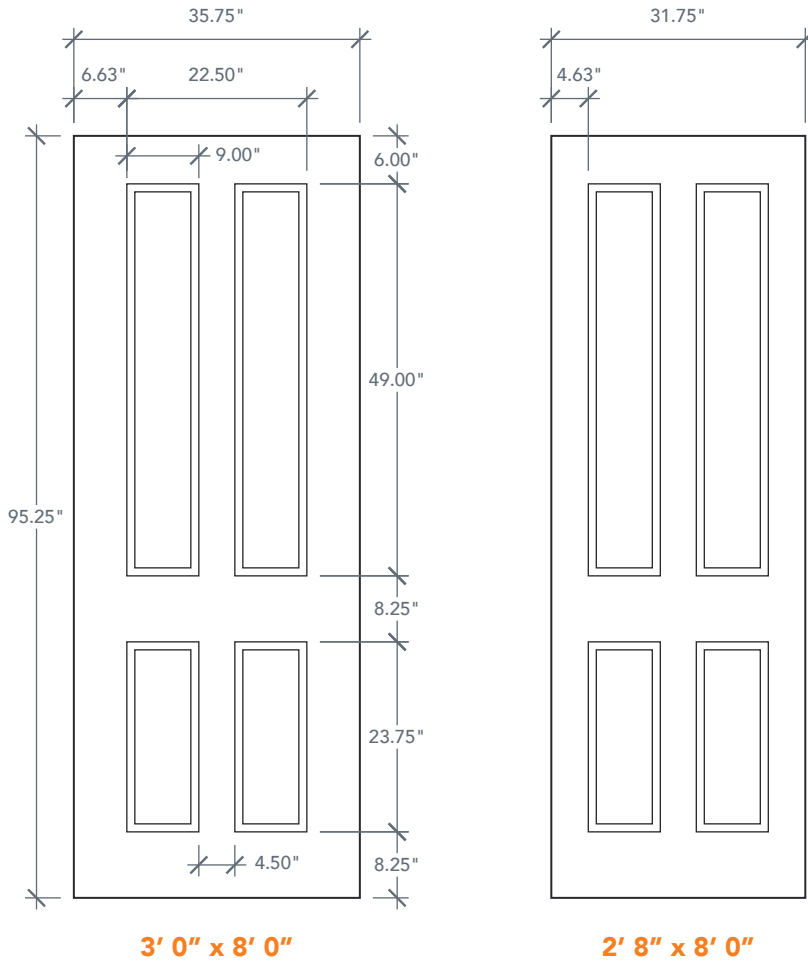
A = 5.0"

A = DISTANCE FROM TOP OF DOOR TO TOP OF OPENING

# 8'0" DRG4180 TRUE FOUR PANEL DOOR

## AVAILABLE SIZING

ARTWORK SCALE: 1/2"=1'



**3' 0" x 8' 0"**

**2' 8" x 8' 0"**

NOTE: BY REQUEST, DOOR HEIGHT COMES IN VARYING DIMENSIONS TO A MINIMUM OF 95". EXCESS WILL BE TAKEN FROM BOTTOM RAIL. ALL OTHER DIMENSIONS WILL REMAIN THE SAME.

## CUTOUTS & GLASS

Diagram	Configuration	Code	Height	Cutout Glass	Dimensions	A
	TWIN LITE	341	2'8" / 3'0"	Cutout Glass	9" x 49" 8" x 48"	A = 6.0"
	HALF LITE	342	2'8" / 3'0"	Cutout Glass	23" x 49" 22" x 48"	A = 6.0"
	FULL LITE	FL8	2'8" / 3'0"	Cutout Glass	23" x 81" 22" x 80"	A = 6.0"

A = DISTANCE FROM TOP OF DOOR TO TOP OF OPENING

## MATCHING SIDELITES

SLG4180

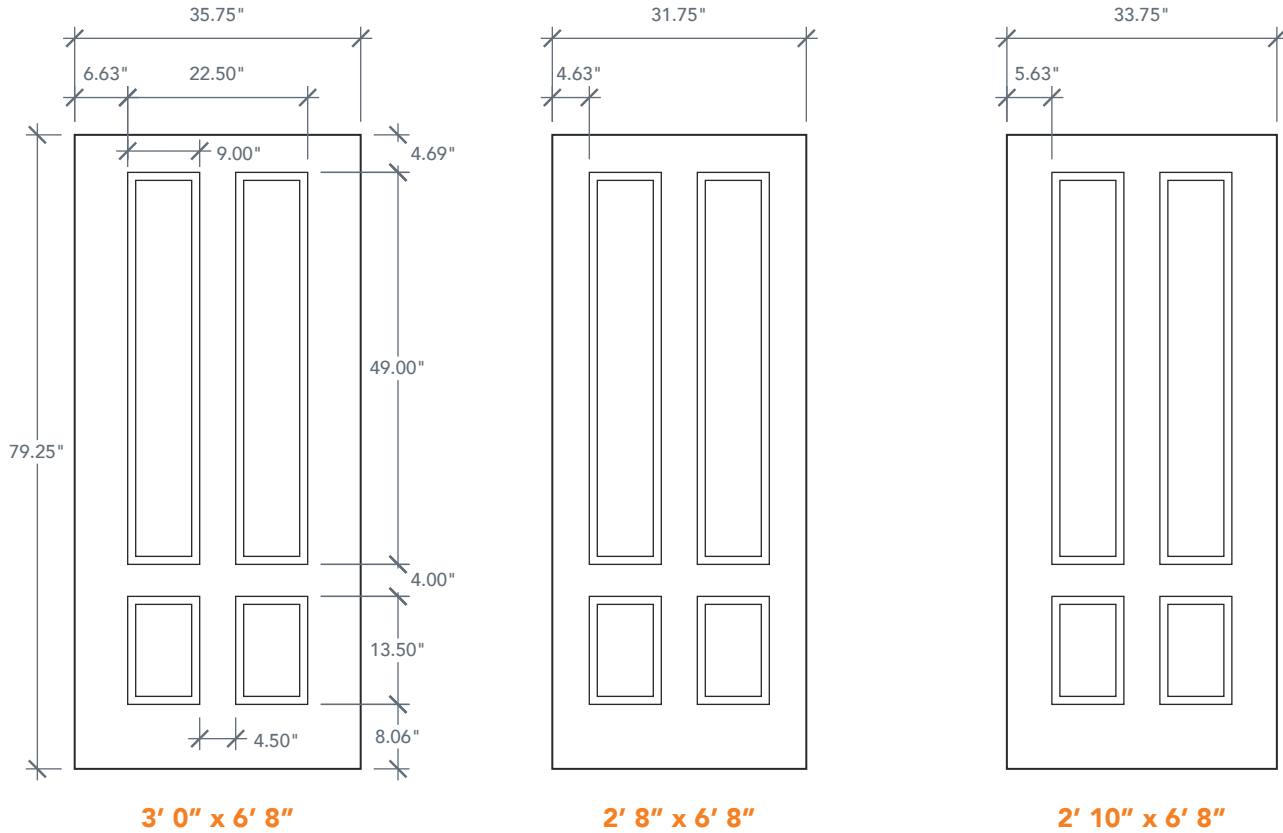
Available Widths:  
1' 0"  
1' 2"

Spec Page = 107

# 6'8" DRG49 3/4 FOUR PANEL DOOR

AVAILABLE SIZING

ARTWORK SCALE: 1/2"=1'



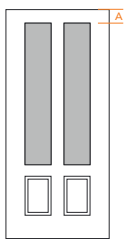
3' 0" x 6' 8"

2' 8" x 6' 8"

2' 10" x 6' 8"

NOTE: BY REQUEST, DOOR HEIGHT COMES IN VARYING DIMENSIONS TO A MINIMUM OF 79". EXCESS WILL BE TAKEN FROM BOTTOM RAIL. ALL OTHER DIMENSIONS WILL REMAIN THE SAME.

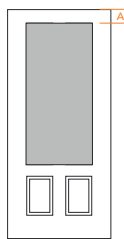
## CUTOUTS & GLASS



**TWIN LITE**  
341

2'8" Cutout 9" x 49"  
2'10" Glass 8" x 48"  
3'0"

A = 4.69"



**3/4 LITE**  
342

2'8" Cutout 23" x 49"  
2'10" Glass 22" x 48"  
3'0"

A = 4.69"

A = DISTANCE FROM TOP OF DOOR TO TOP OF OPENING

## MATCHING SIDELITES



SLG49

Available Widths:

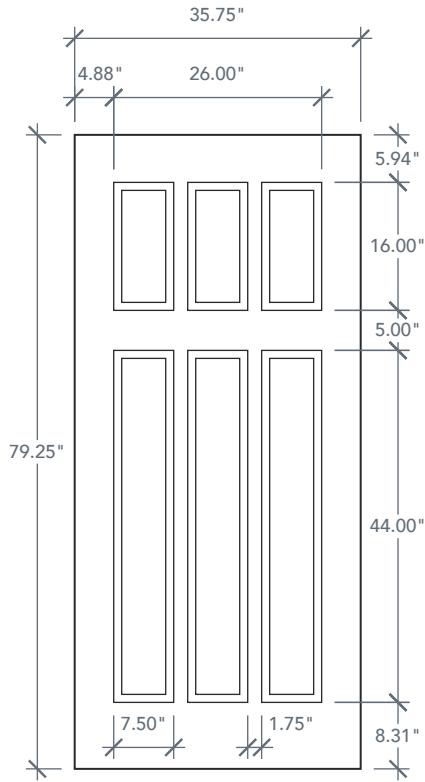
1' 0"  
1' 2"

Spec Page = 108

# 6'8" DRG6C SIX PANEL CRAFTSMAN DOOR

AVAILABLE SIZING

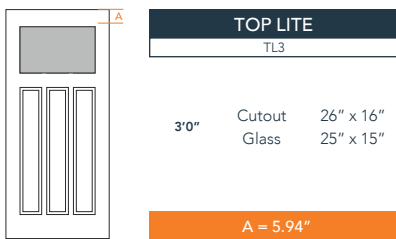
ARTWORK SCALE: 1/2"=1'



**3' 0" x 6' 8"**

NOTE: BY REQUEST, DOOR HEIGHT COMES IN VARYING DIMENSIONS TO A MINIMUM OF 79". EXCESS WILL BE TAKEN FROM BOTTOM RAIL. ALL OTHER DIMENSIONS WILL REMAIN THE SAME.

## CUTOUTS & GLASS

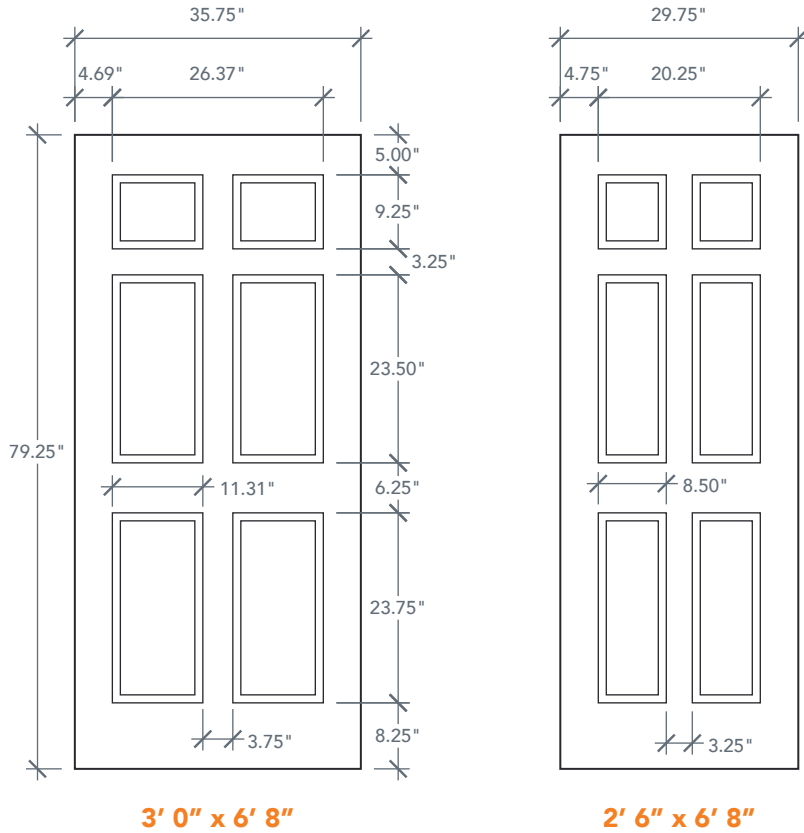


A = DISTANCE FROM TOP OF DOOR TO TOP OF OPENING

# 6'8" DRG60 SIX PANEL DOOR

AVAILABLE SIZING

ARTWORK SCALE: 1/2"=1'



**3' 0" x 6' 8"**

**2' 6" x 6' 8"**

NOTE: BY REQUEST, DOOR HEIGHT COMES IN VARYING DIMENSIONS TO A MINIMUM OF 79". EXCESS WILL BE TAKEN FROM BOTTOM RAIL. ALL OTHER DIMENSIONS WILL REMAIN THE SAME.

## CUTOUTS & GLASS

TOP LITE		
	TL5	
2'6"	Cutout	21" x 9 1/4"
	Glass	20" x 8 1/4"
	TL1	
3'0"	Cutout	26 1/2" x 9 1/4"
	Glass	25 1/2" x 8 1/4"
	A = 5.0"	

A = DISTANCE FROM TOP OF DOOR TO TOP OF OPENING

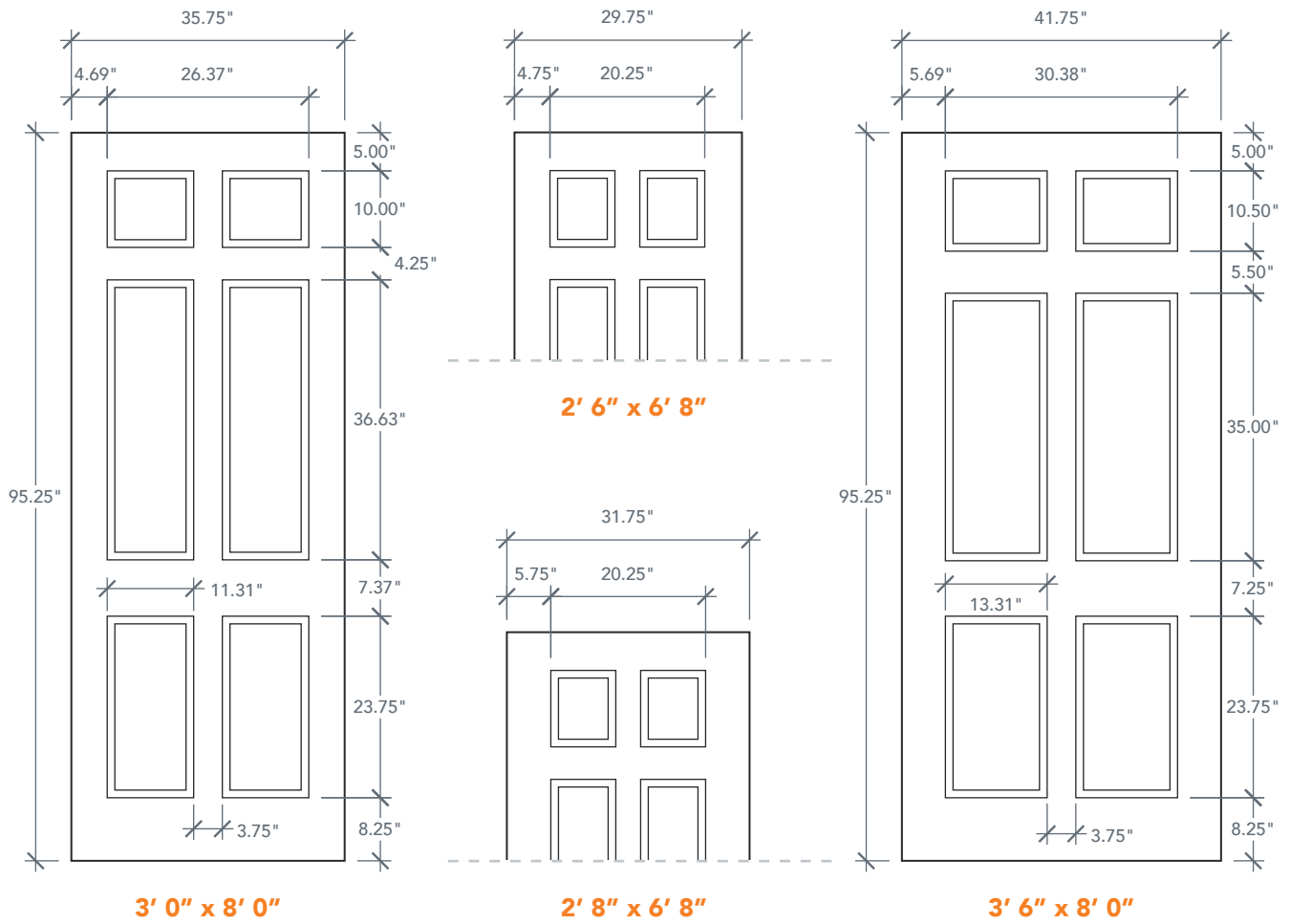
## MATCHING SIDELITES

	SLG60
	Available Widths: 1' 0" 1' 2"
	Spec Page = 109

# 8'0" DRG6080 SIX PANEL DOOR

## AVAILABLE SIZING

ARTWORK SCALE: 1/2"=1'



NOTE: BY REQUEST, DOOR HEIGHT COMES IN VARYING DIMENSIONS TO A MINIMUM OF 95". EXCESS WILL BE TAKEN FROM BOTTOM RAIL. ALL OTHER DIMENSIONS WILL REMAIN THE SAME.

## CUTOUTS & GLASS

HALF LITE	
HL6	
3'0"	Cutout 26 1/2" x 51" Glass 25 1/2" x 50"
346	
3'6"	Cutout 30 3/8" x 51 1/4" Glass 29 3/8" x 50 1/4"
A = 5.0"	

A = DISTANCE FROM TOP OF DOOR TO TOP OF OPENING

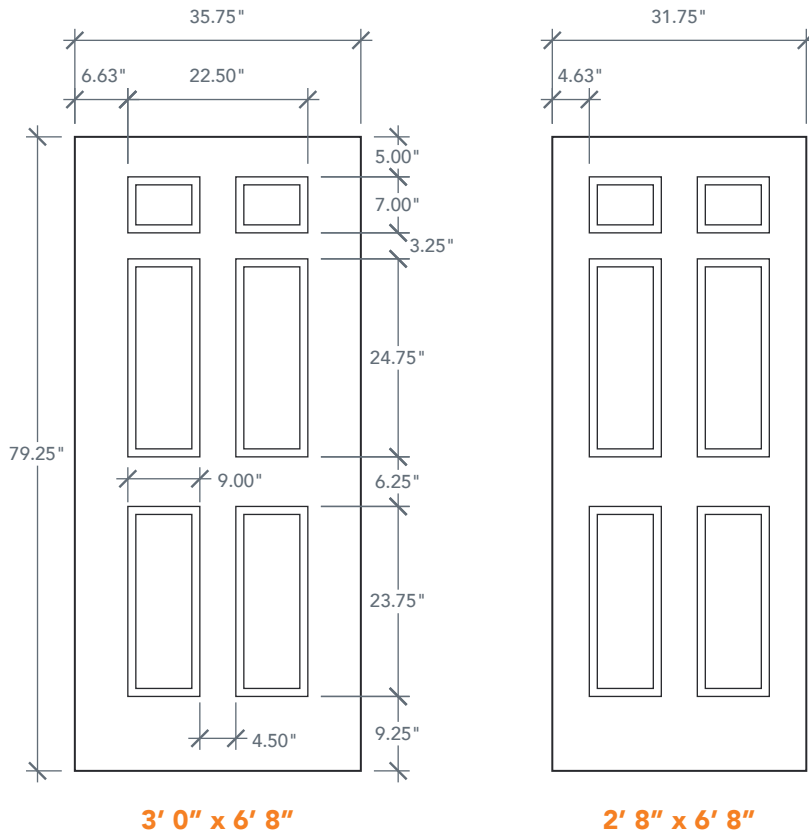
## MATCHING SIDELITES

SLG4180
Available Widths: 1' 0" 1' 2"
Spec Page = 104

# 6'8" DRG61 SIX PANEL UTILITY DOOR

AVAILABLE SIZING

ARTWORK SCALE: 1/2"=1'

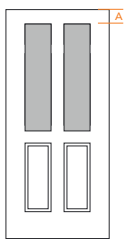


**3' 0" x 6' 8"**

**2' 8" x 6' 8"**

NOTE: BY REQUEST, DOOR HEIGHT COMES IN VARYING DIMENSIONS TO A MINIMUM OF 79". EXCESS WILL BE TAKEN FROM BOTTOM RAIL. ALL OTHER DIMENSIONS WILL REMAIN THE SAME.

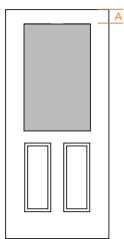
## CUTOUTS & GLASS



**TWIN LITE**  
HL2

2'8" Cutout 9" x 37"  
3'0" Glass 8" x 36"

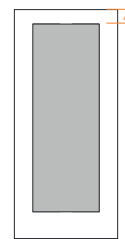
A = 5.0"



**HALF LITE**  
HL4

2'8" Cutout 23" x 37"  
3'0" Glass 22" x 36"

A = 5.0"



**FULL LITE**  
FL7

2'8" Cutout 23" x 65"  
3'0" Glass 22" x 64"

A = 5.0"

A = DISTANCE FROM TOP OF DOOR TO TOP OF OPENING

## MATCHING SIDELITES



SLG61

Available Widths:

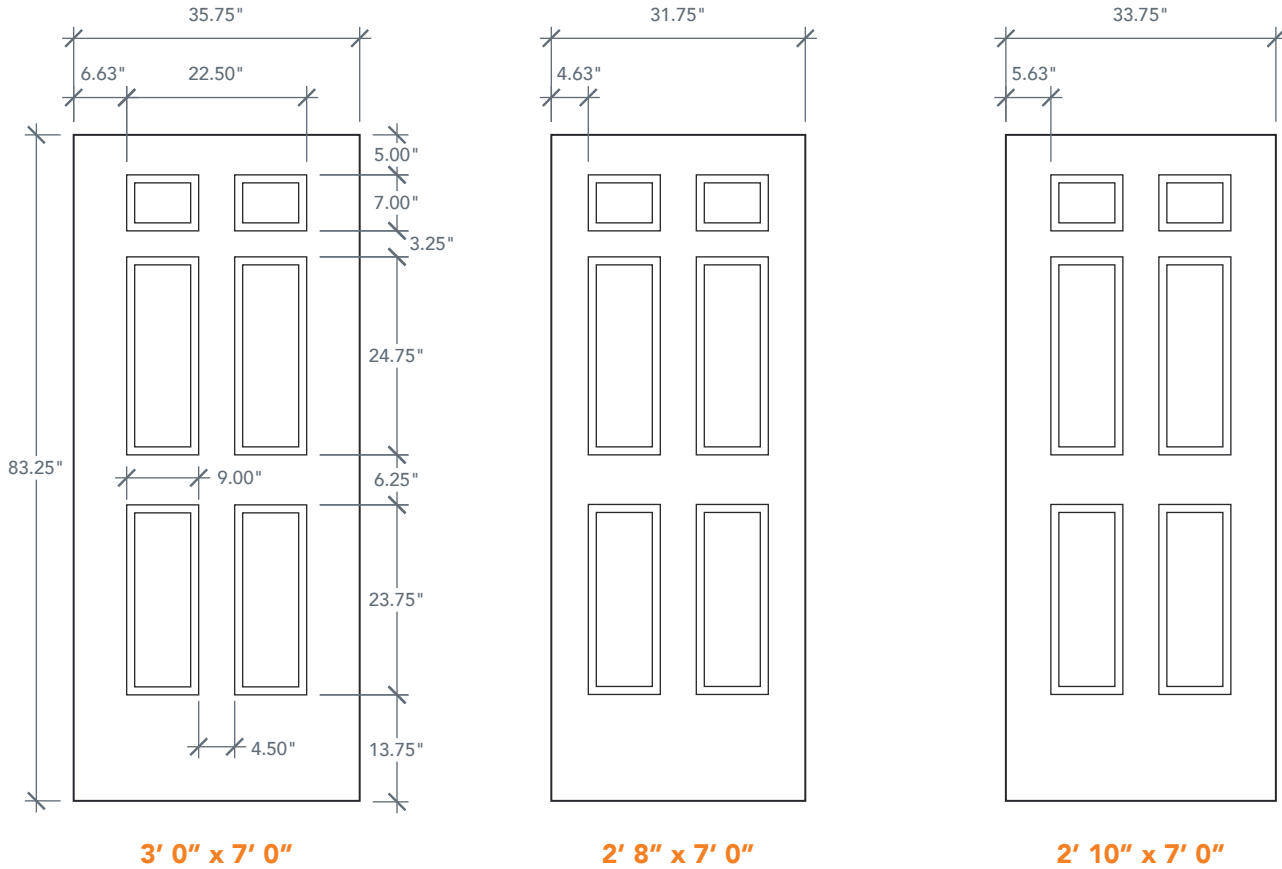
- 1' 0"
- 1' 2"

Spec Page = 110

# 7'0" DRG6170 SIX PANEL UTILITY DOOR

AVAILABLE SIZING

ARTWORK SCALE: 1/2"=1'



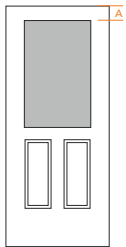
**3' 0" x 7' 0"**

**2' 8" x 7' 0"**

**2' 10" x 7' 0"**

NOTE: BY REQUEST, DOOR HEIGHT COMES IN VARYING DIMENSIONS TO A MINIMUM OF 83". EXCESS WILL BE TAKEN FROM BOTTOM RAIL. ALL OTHER DIMENSIONS WILL REMAIN THE SAME.

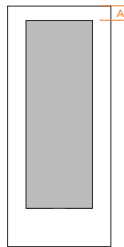
## CUTOUTS & GLASS



**HALF LITE**  
HL4

2'8" Cutout 23" x 37"  
2'10" Glass 22" x 36"  
3'0"

**A = 5.0"**



**FULL LITE**  
FL7

2'8" Cutout 23" x 65"  
2'10" Glass 22" x 64"  
3'0"

**A = 5.0"**

A = DISTANCE FROM TOP OF DOOR TO TOP OF OPENING

## MATCHING SIDELITES



SL6170

Available Widths:

1' 0"  
1' 2"

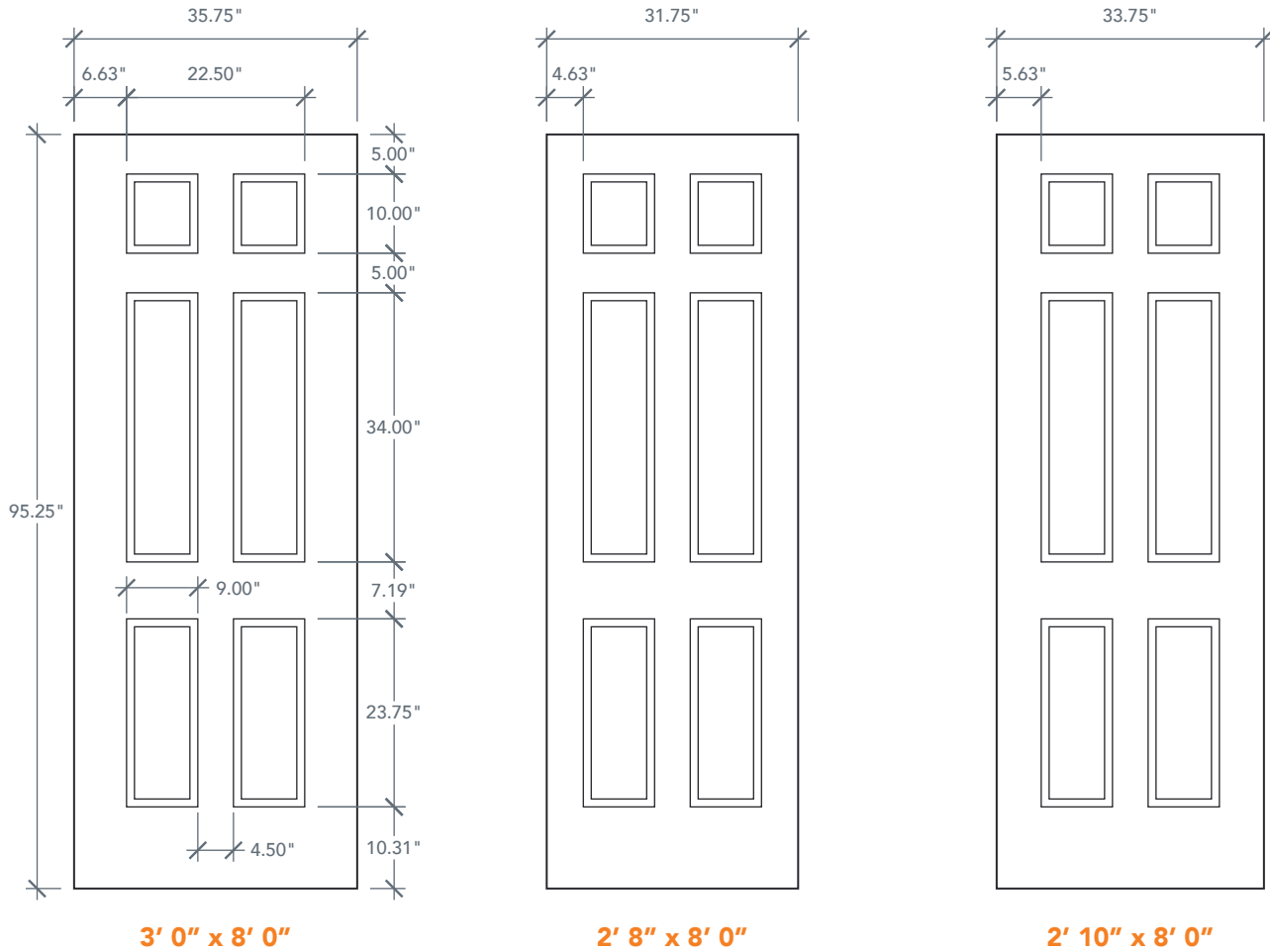
Spec Page = 111



# 8'0" DRG6180 SIX PANEL UTILITY DOOR

## AVAILABLE SIZING

ARTWORK SCALE: 1/2"=1'



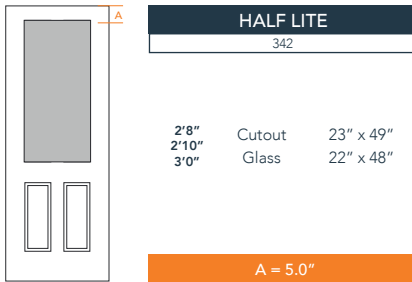
3' 0" x 8' 0"

2' 8" x 8' 0"

2' 10" x 8' 0"

NOTE: BY REQUEST, DOOR HEIGHT COMES IN VARYING DIMENSIONS TO A MINIMUM OF 95". EXCESS WILL BE TAKEN FROM BOTTOM RAIL. ALL OTHER DIMENSIONS WILL REMAIN THE SAME.

## CUTOUTS & GLASS

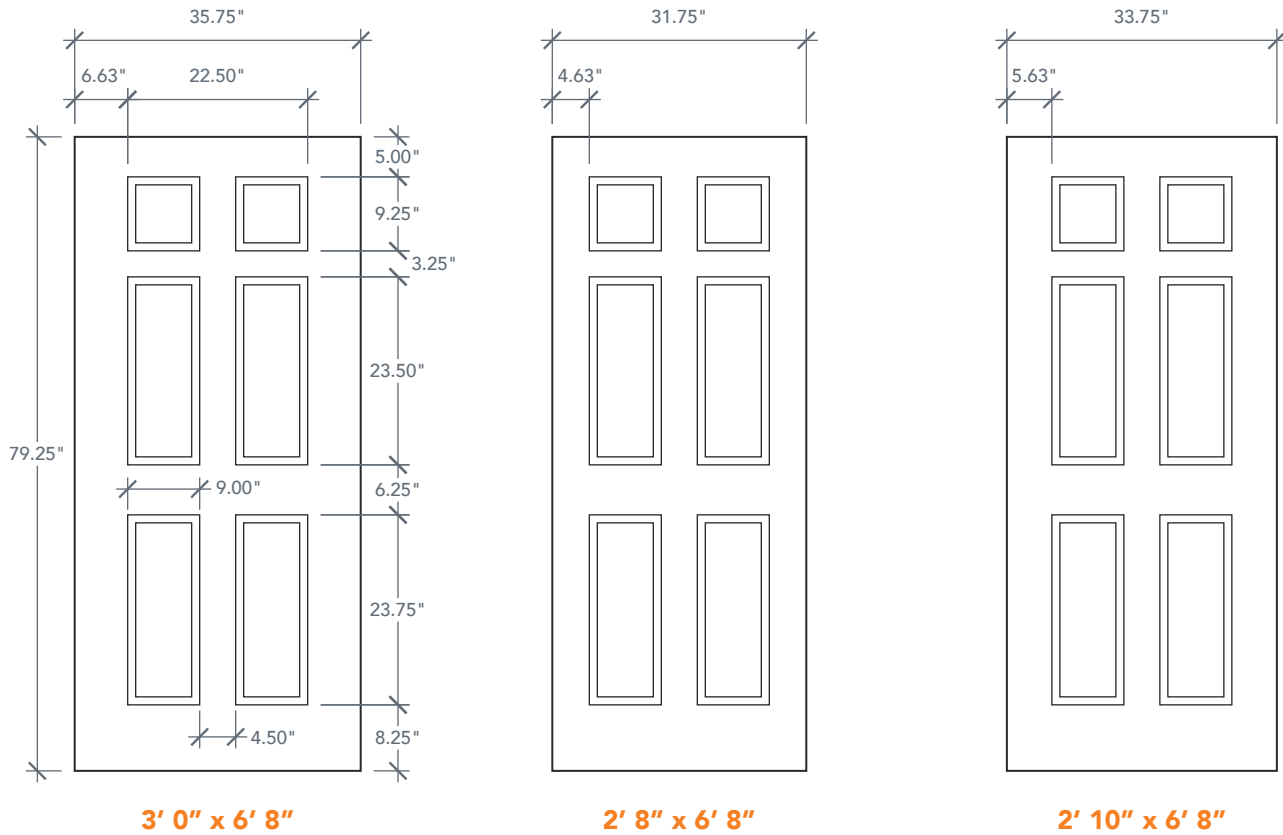


A = DISTANCE FROM TOP OF DOOR TO TOP OF OPENING

# 6'8" DRG63 TRUE SIX PANEL NARROW DOOR

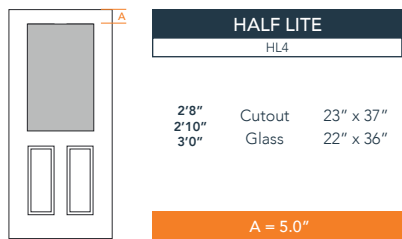
AVAILABLE SIZING

ARTWORK SCALE: 1/2"=1'



NOTE: BY REQUEST, DOOR HEIGHT COMES IN VARYING DIMENSIONS TO A MINIMUM OF 79". EXCESS WILL BE TAKEN FROM BOTTOM RAIL. ALL OTHER DIMENSIONS WILL REMAIN THE SAME.

## CUTOUTS & GLASS



A = DISTANCE FROM TOP OF DOOR TO TOP OF OPENING

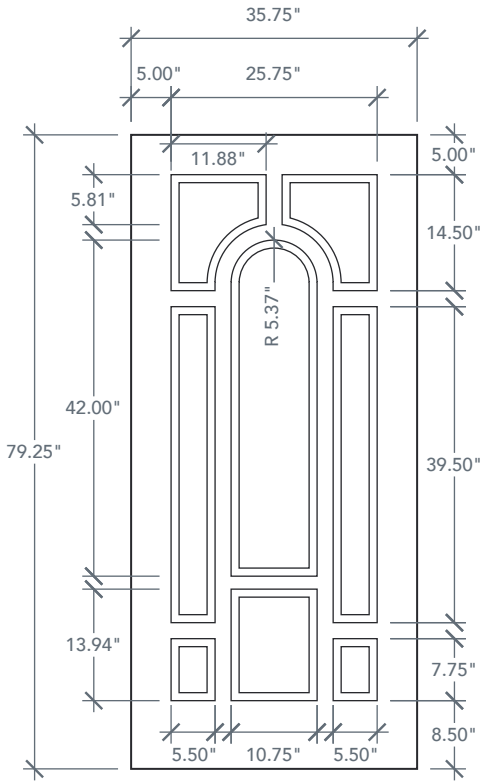
## MATCHING SIDELITES



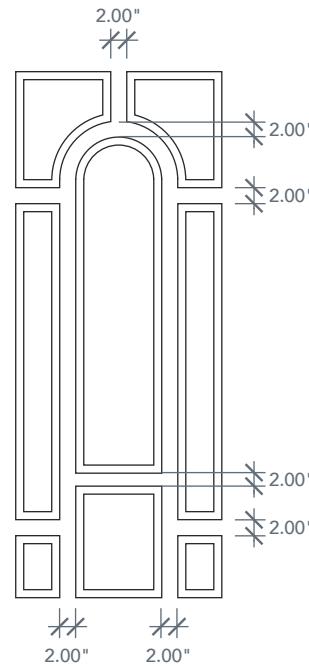
# 6'8" DRG80 EIGHT PANEL CENTER ARCH DOOR

AVAILABLE SIZING

ARTWORK SCALE: 1/2"=1'



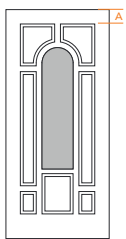
**3' 0" x 6' 8"**



**Panel Spacing Detail**

NOTE: BY REQUEST, DOOR HEIGHT COMES IN VARYING DIMENSIONS TO A MINIMUM OF 79". EXCESS WILL BE TAKEN FROM BOTTOM RAIL. ALL OTHER DIMENSIONS WILL REMAIN THE SAME.

## CUTOUTS & GLASS



**CENTER ARCH LITE**  
8C2

3'0" Cutout 10 3/4" x 42"  
Glass 9 3/4" x 41"

**A = 12.81"**

A = DISTANCE FROM TOP OF DOOR TO TOP OF OPENING

## MATCHING SIDELITES



SLG80

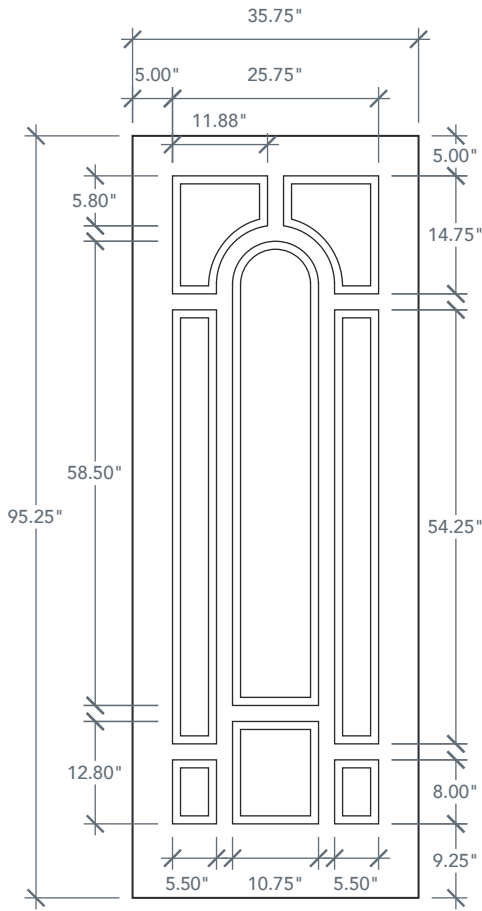
Available Widths:  
1' 0"  
1' 2"

Spec Page = 112

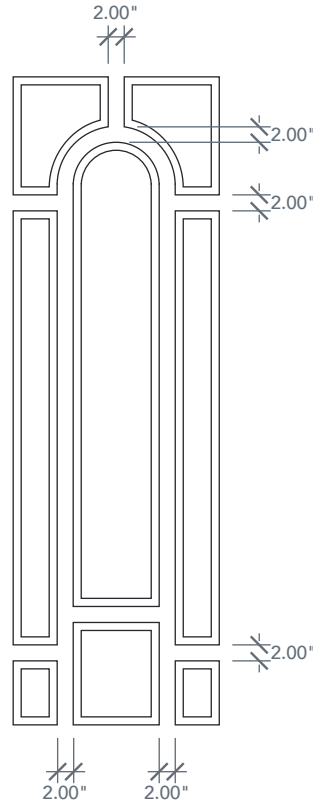
# 8'0" DRG8080 EIGHT PANEL CENTER ARCH DOOR

## AVAILABLE SIZING

ARTWORK SCALE: 1/2"=1'



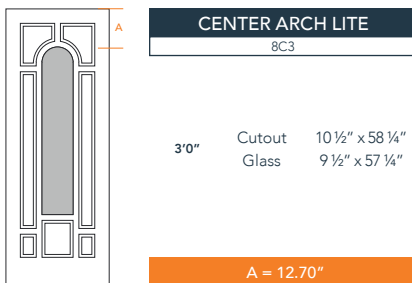
**3' 0" x 8' 0"**



**Panel Spacing Detail**

NOTE: BY REQUEST, DOOR HEIGHT COMES IN VARYING DIMENSIONS TO A MINIMUM OF 95". EXCESS WILL BE TAKEN FROM BOTTOM RAIL. ALL OTHER DIMENSIONS WILL REMAIN THE SAME.

## CUTOUTS & GLASS

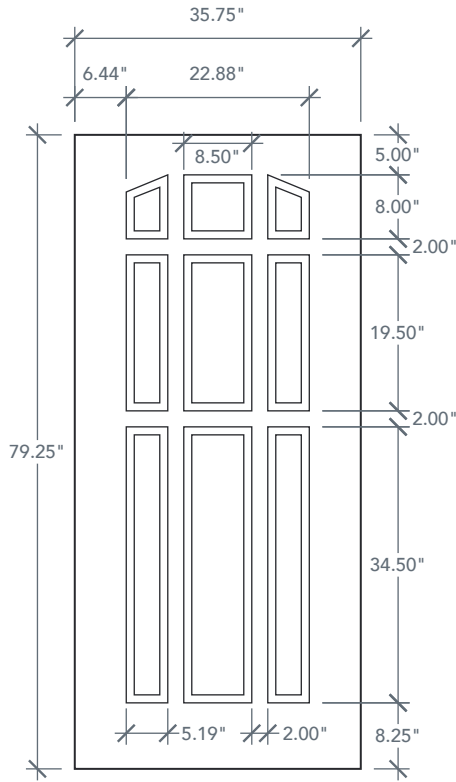


A = DISTANCE FROM TOP OF DOOR TO TOP OF OPENING

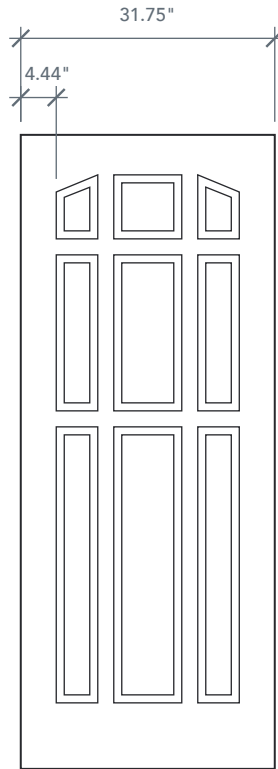
# 6'8" DRG90 NINE PANEL DOOR

AVAILABLE SIZING

ARTWORK SCALE: 1/2"=1'



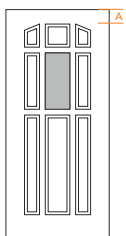
**3' 0" x 6' 8"**



**2' 8" x 6' 8"**

NOTE: BY REQUEST, DOOR HEIGHT COMES IN VARYING DIMENSIONS TO A MINIMUM OF 79". EXCESS WILL BE TAKEN FROM BOTTOM RAIL. ALL OTHER DIMENSIONS WILL REMAIN THE SAME.

## CUTOUTS & GLASS



**CENTER LITE**  
9P1

2'8" Cutout 8 1/2" x 19 1/2"  
3'0" Glass 9 1/2" x 18 1/2"

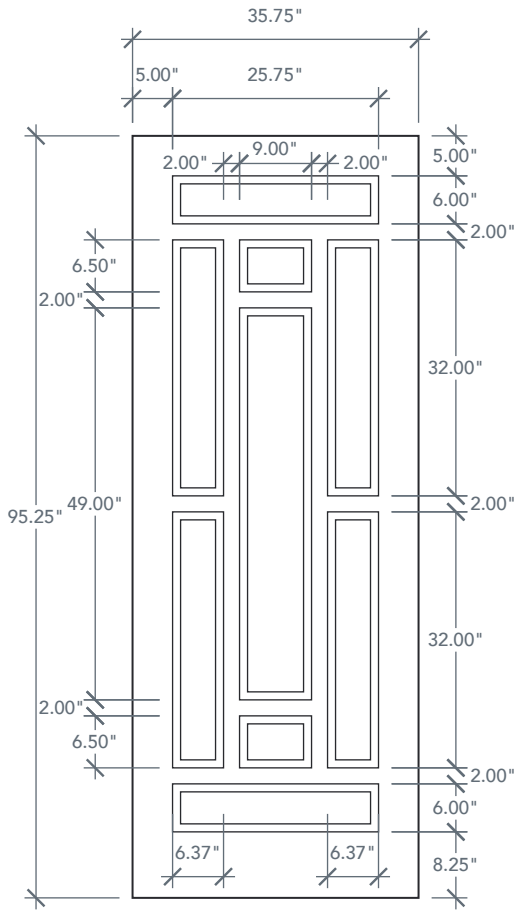
**A = 15.0"**

A = DISTANCE FROM TOP OF DOOR TO TOP OF OPENING

# 8'0" DRG9180 NINE PANEL DOOR

## AVAILABLE SIZING

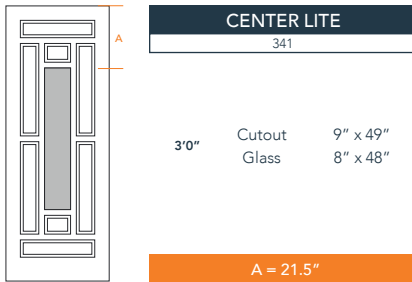
ARTWORK SCALE: 1/2"=1'



**3' 0" x 8' 0"**

NOTE: BY REQUEST, DOOR HEIGHT COMES IN VARYING DIMENSIONS TO A MINIMUM OF 95". EXCESS WILL BE TAKEN FROM BOTTOM RAIL. ALL OTHER DIMENSIONS WILL REMAIN THE SAME.

## CUTOUTS & GLASS

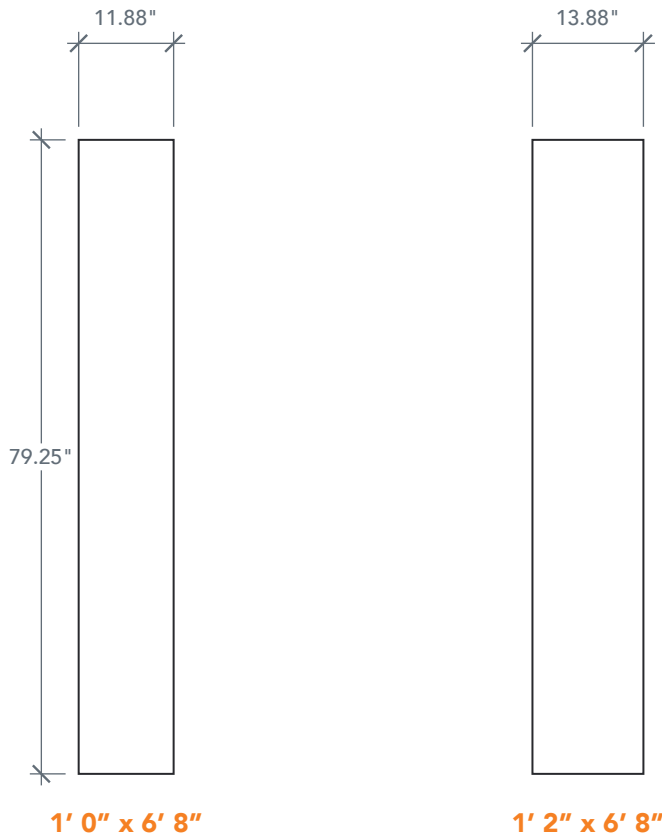


A = DISTANCE FROM TOP OF DOOR TO TOP OF OPENING

# 6'8" SLG00 FLUSH SIDELITE

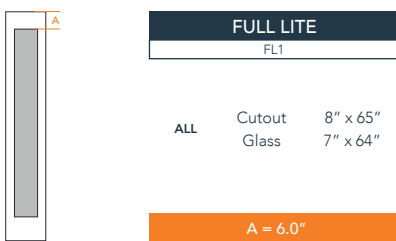
AVAILABLE SIZING

ARTWORK SCALE: 1/2"=1'



NOTE: BY REQUEST, SIDELITE HEIGHT COMES IN VARYING DIMENSIONS TO A MINIMUM OF 79". EXCESS WILL BE TAKEN FROM BOTTOM RAIL. ALL OTHER DIMENSIONS WILL REMAIN THE SAME.

## CUTOUTS & GLASS



A = DISTANCE FROM TOP OF DOOR TO TOP OF OPENING

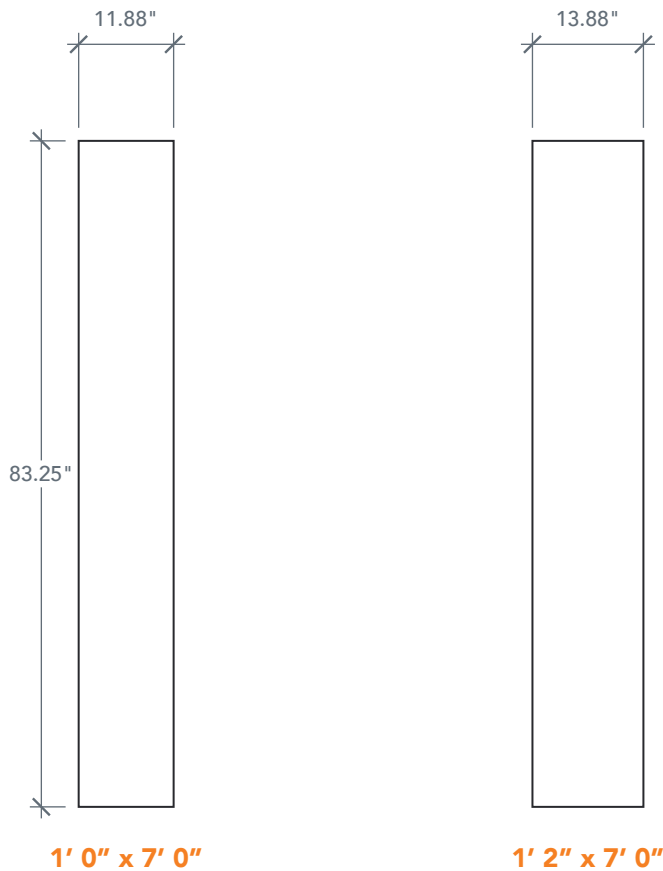
## MATCHING DOORS



# 7'0" SLG0070 FLUSH SIDELITE

AVAILABLE SIZING

ARTWORK SCALE: 1/2"=1'



NOTE: BY REQUEST, SIDELITE HEIGHT COMES IN VARYING DIMENSIONS TO A MINIMUM OF 83". EXCESS WILL BE TAKEN FROM BOTTOM RAIL. ALL OTHER DIMENSIONS WILL REMAIN THE SAME.

## CUTOUTS & GLASS



A = DISTANCE FROM TOP OF DOOR TO TOP OF OPENING

## MATCHING DOORS

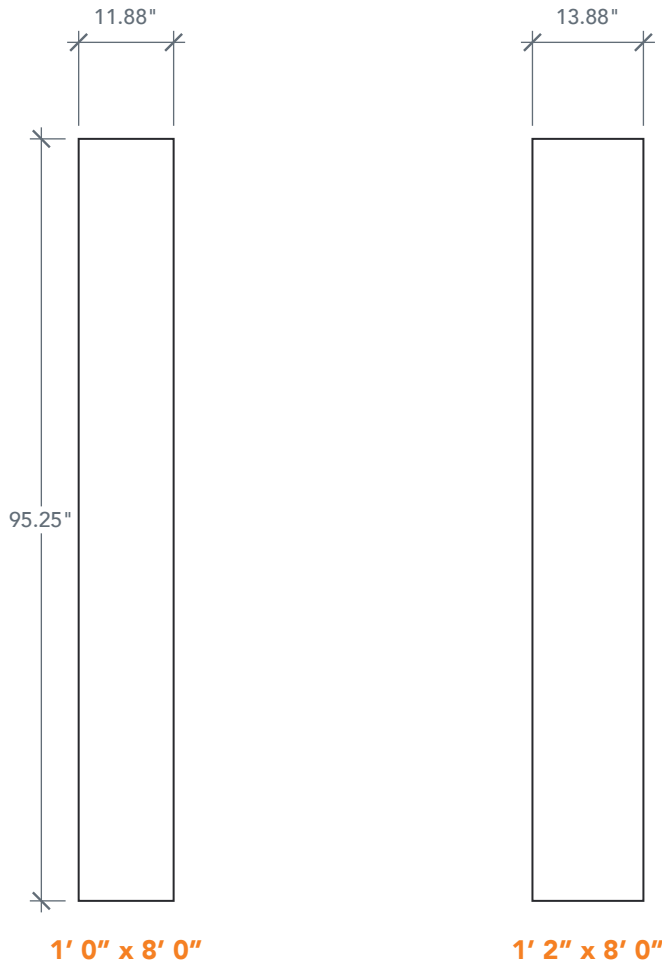




# 8'0" SLG0080 FLUSH SIDELITE

## AVAILABLE SIZING

ARTWORK SCALE: 1/2"=1'



NOTE: BY REQUEST, SIDELITE HEIGHT COMES IN VARYING DIMENSIONS TO A MINIMUM OF 95". EXCESS WILL BE TAKEN FROM BOTTOM RAIL. ALL OTHER DIMENSIONS WILL REMAIN THE SAME.

## CUTOUTS & GLASS



A = DISTANCE FROM TOP OF DOOR TO TOP OF OPENING

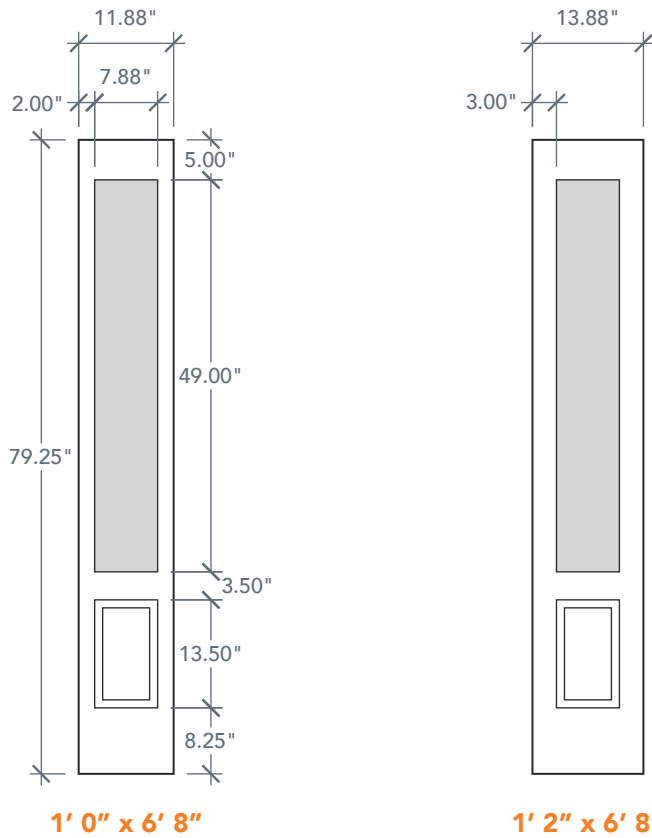
## MATCHING DOORS



# 6'8" SLG3E 3/4 ELITE SIDELITE

AVAILABLE SIZING

ARTWORK SCALE: 1/2"=1'

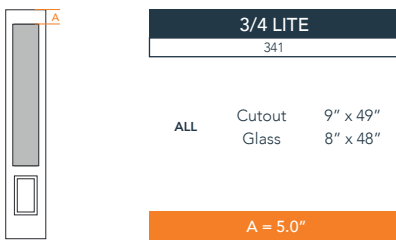


1' 0" x 6' 8"

1' 2" x 6' 8"

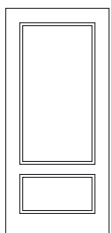
NOTE: BY REQUEST, SIDELITE HEIGHT COMES IN VARYING DIMENSIONS TO A MINIMUM OF 79". EXCESS WILL BE TAKEN FROM BOTTOM RAIL. ALL OTHER DIMENSIONS WILL REMAIN THE SAME.

## CUTOUTS & GLASS



A = DISTANCE FROM TOP OF DOOR TO TOP OF OPENING

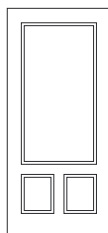
## MATCHING DOORS



DRG20

Available Widths:  
3'0"

Spec Page = 78



DRG3E

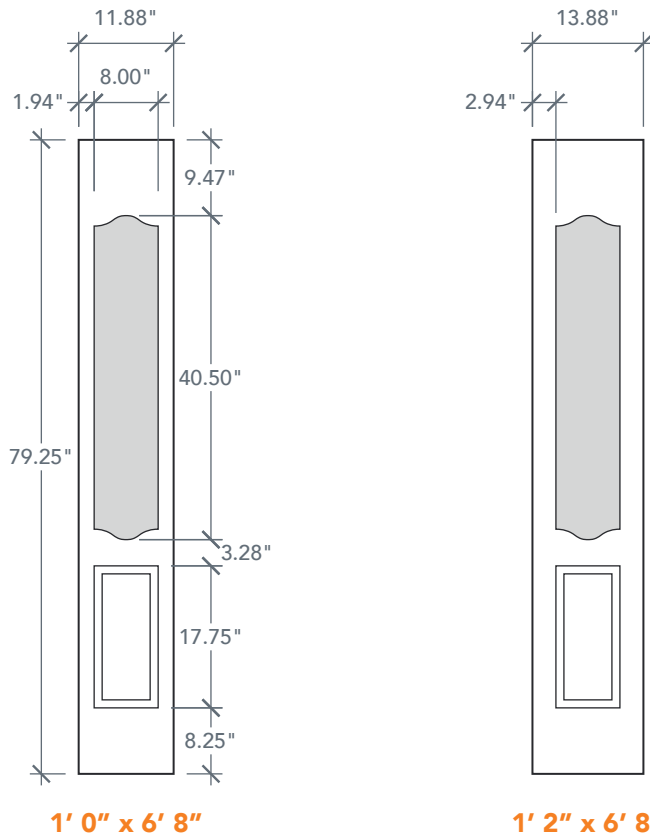
Available Widths:  
3'0"

Spec Page = 81

# 6'8" SLG3P 3/4 PREMIUM SIDELITE

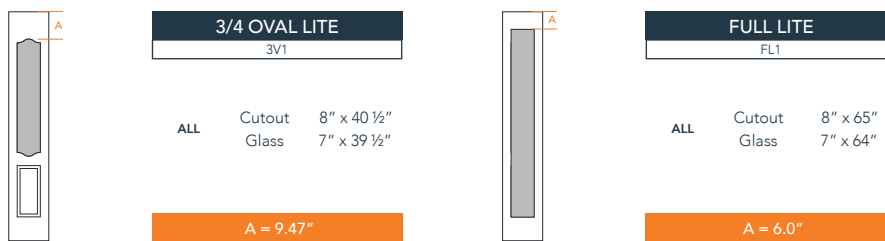
AVAILABLE SIZING

ARTWORK SCALE: 1/2"=1'



NOTE: BY REQUEST, SIDELITE HEIGHT COMES IN VARYING DIMENSIONS TO A MINIMUM OF 79". EXCESS WILL BE TAKEN FROM BOTTOM RAIL. ALL OTHER DIMENSIONS WILL REMAIN THE SAME.

## CUTOUTS & GLASS



A = DISTANCE FROM TOP OF DOOR TO TOP OF OPENING

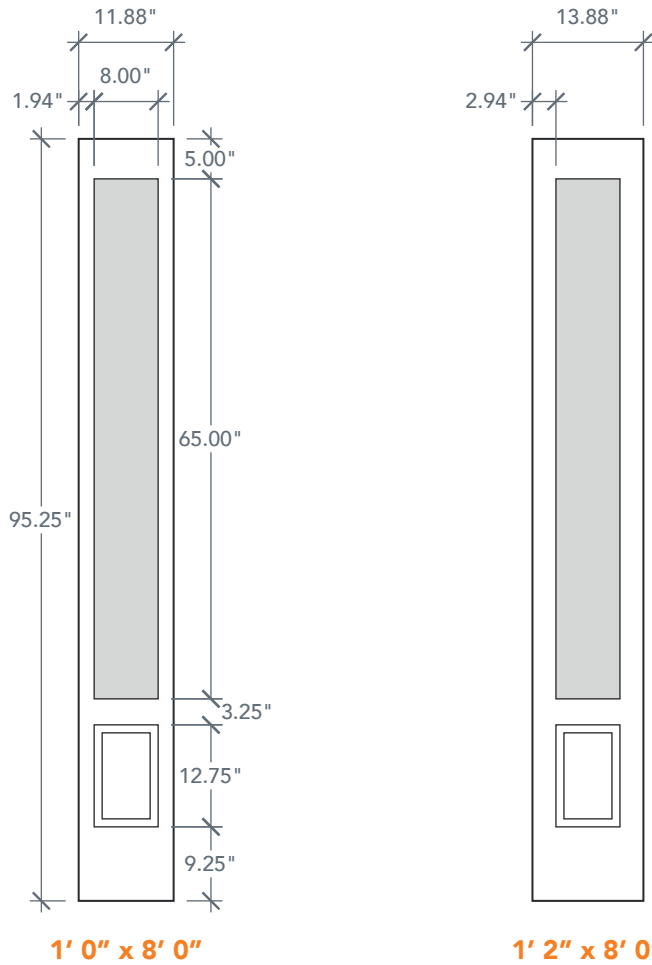
## MATCHING DOORS



# 8'0" SLG3080 3/4 THREE PANEL SIDELITE

## AVAILABLE SIZING

ARTWORK SCALE: 1/2"=1'

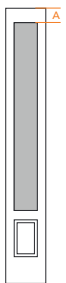


1' 0" x 8' 0"

1' 2" x 8' 0"

NOTE: BY REQUEST, SIDELITE HEIGHT COMES IN VARYING DIMENSIONS TO A MINIMUM OF 95". EXCESS WILL BE TAKEN FROM BOTTOM RAIL. ALL OTHER DIMENSIONS WILL REMAIN THE SAME.

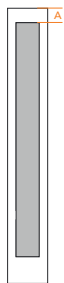
## CUTOUTS & GLASS



3/4 LITE	
FL1	

ALL	Cutout	8" x 65"
	Glass	7" x 64"

A = 5.0"



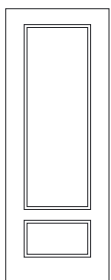
FULL LITE	
FL2	

ALL	Cutout	9" x 81"
	Glass	8" x 80"

A = 5.0"

A = DISTANCE FROM TOP OF DOOR TO TOP OF OPENING

## MATCHING DOORS

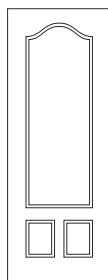


DRS2980

Available Widths:

- 2' 8"
- 2' 10"
- 3' 0"

Spec Page = 80



DRS3080

Available Widths:

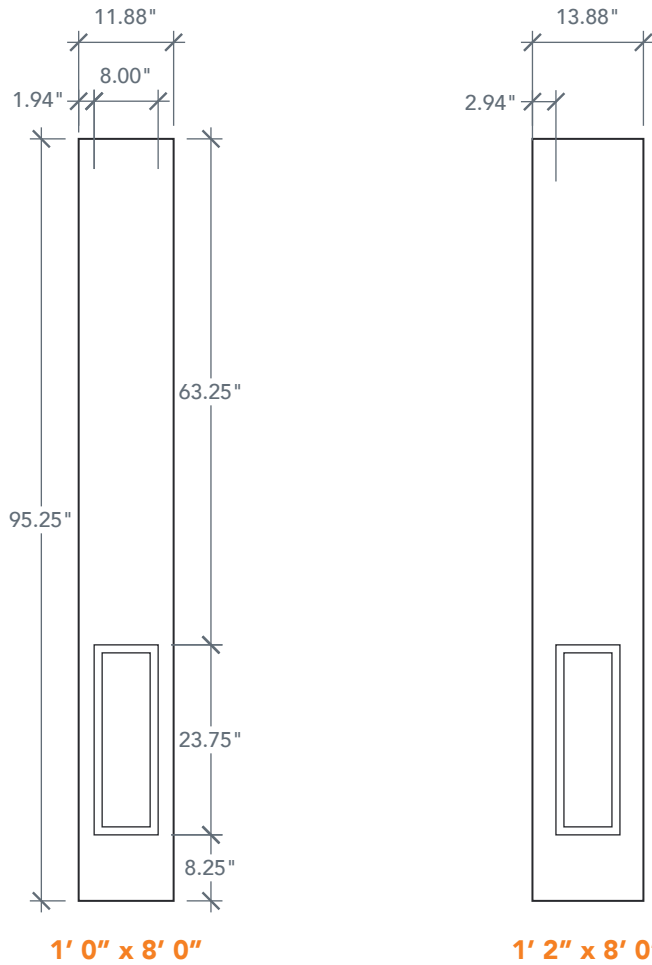
- 2' 8"
- 2' 10"
- 3' 0"

Spec Page = 83

# 8'0" SLG4180 FOUR PANEL SIDELITE

## AVAILABLE SIZING

ARTWORK SCALE: 1/2"=1'



**1' 0" x 8' 0"**

**1' 2" x 8' 0"**

NOTE: BY REQUEST, SIDELITE HEIGHT COMES IN VARYING DIMENSIONS TO A MINIMUM OF 95". EXCESS WILL BE TAKEN FROM BOTTOM RAIL. ALL OTHER DIMENSIONS WILL REMAIN THE SAME.

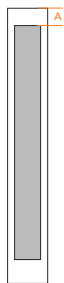
## CUTOUTS & GLASS



HALF LITE	
341	

ALL	Cutout	9" x 49"
	Glass	8" x 48"

**A = 6.0"**



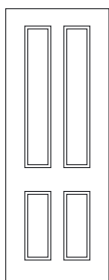
FULL LITE	
FL2	

ALL	Cutout	9" x 81"
	Glass	8" x 80"

**A = 6.0"**

A = DISTANCE FROM TOP OF DOOR TO TOP OF OPENING

## MATCHING DOORS

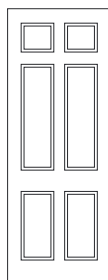


DRS4180

Available Widths:

- 2' 8"
- 2' 10"
- 3' 0"

Spec Page = 88



DRS6080

Available Widths:

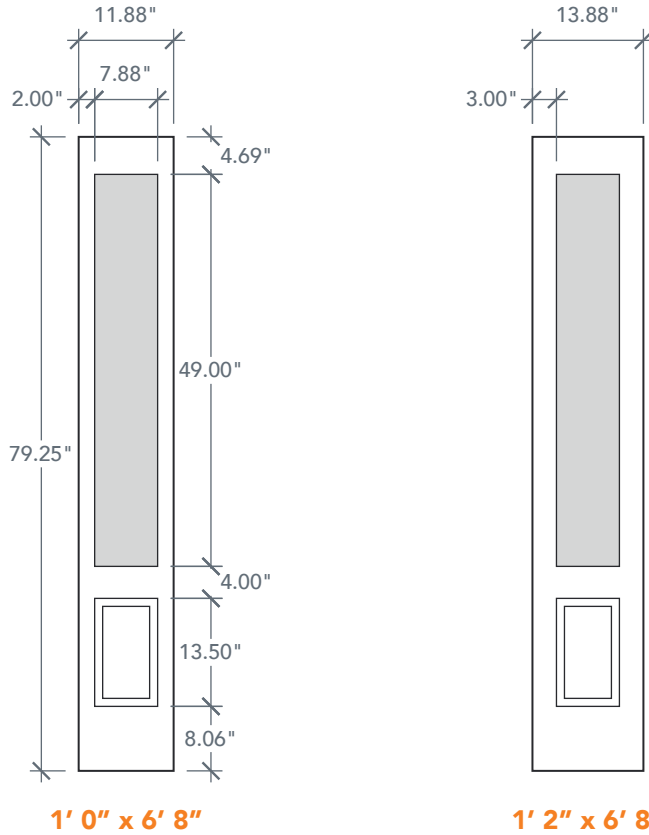
- 2' 6"
- 2' 8"
- 3' 0"
- 3' 6"

Spec Page = 92

# 6'8" SLG49 3/4 FOUR PANEL SIDELITE

AVAILABLE SIZING

ARTWORK SCALE: 1/2"=1'

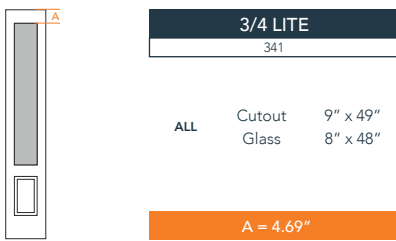


1' 0" x 6' 8"

1' 2" x 6' 8"

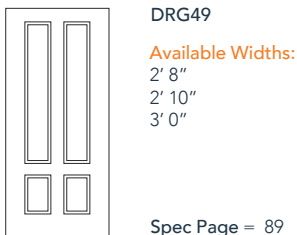
NOTE: BY REQUEST, SIDELITE HEIGHT COMES IN VARYING DIMENSIONS TO A MINIMUM OF 79". EXCESS WILL BE TAKEN FROM BOTTOM RAIL. ALL OTHER DIMENSIONS WILL REMAIN THE SAME.

## CUTOUTS & GLASS



A = DISTANCE FROM TOP OF DOOR TO TOP OF OPENING

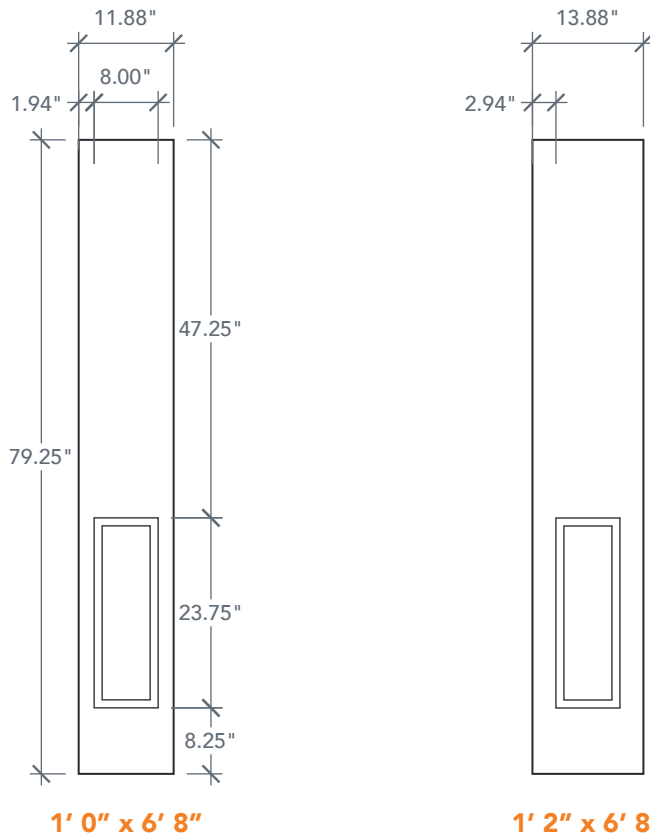
## MATCHING DOORS



# 6'8" SLG60 SIX PANEL SIDELITE

AVAILABLE SIZING

ARTWORK SCALE: 1/2"=1'

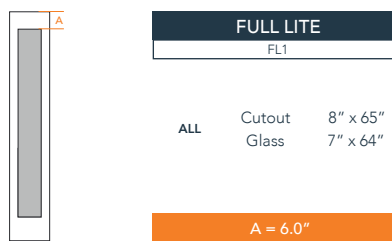


1' 0" x 6' 8"

1' 2" x 6' 8"

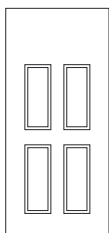
NOTE: BY REQUEST, SIDELITE HEIGHT COMES IN VARYING DIMENSIONS TO A MINIMUM OF 79". EXCESS WILL BE TAKEN FROM BOTTOM RAIL. ALL OTHER DIMENSIONS WILL REMAIN THE SAME.

## CUTOUTS & GLASS



A = DISTANCE FROM TOP OF DOOR TO TOP OF OPENING

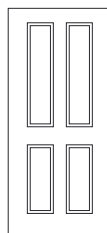
## MATCHING DOORS



DRG40

Available Widths:  
2' 6"  
2' 8"  
2' 10"  
3' 0"

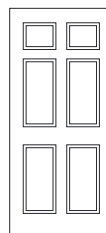
Spec Page = 85



DRG41

Available Widths:  
2' 8"  
3' 0"  
3' 6"

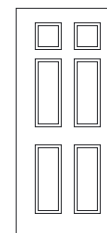
Spec Page = 86



DRG60

Available Widths:  
2' 6"  
3' 0"

Spec Page = 91



DRG63

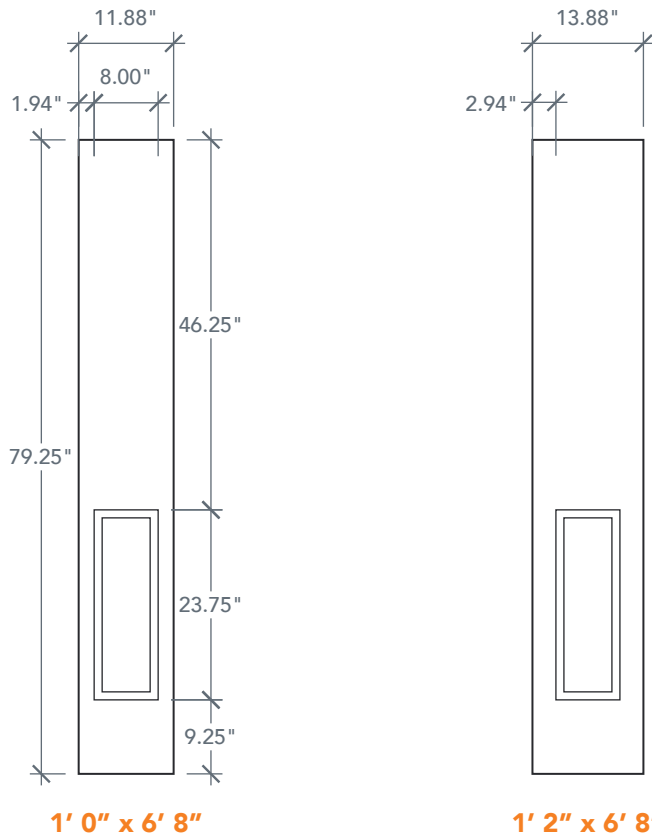
Available Widths:  
2' 6"  
3' 0"

Spec Page = 96

# 6'8" SLG61 SIX PANEL UTILITY SIDELITE

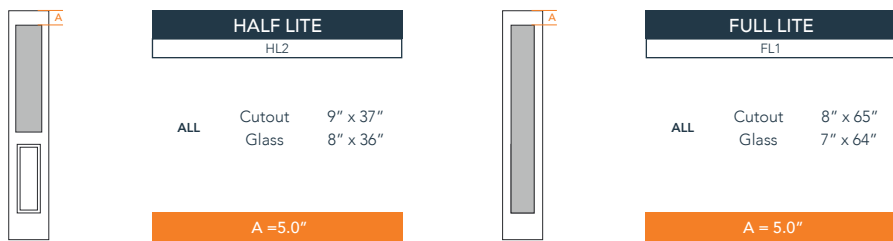
AVAILABLE SIZING

ARTWORK SCALE: 1/2"=1'



NOTE: BY REQUEST, SIDELITE HEIGHT COMES IN VARYING DIMENSIONS TO A MINIMUM OF 79". EXCESS WILL BE TAKEN FROM BOTTOM RAIL. ALL OTHER DIMENSIONS WILL REMAIN THE SAME.

## CUTOUTS & GLASS



A = DISTANCE FROM TOP OF DOOR TO TOP OF OPENING

## MATCHING DOORS

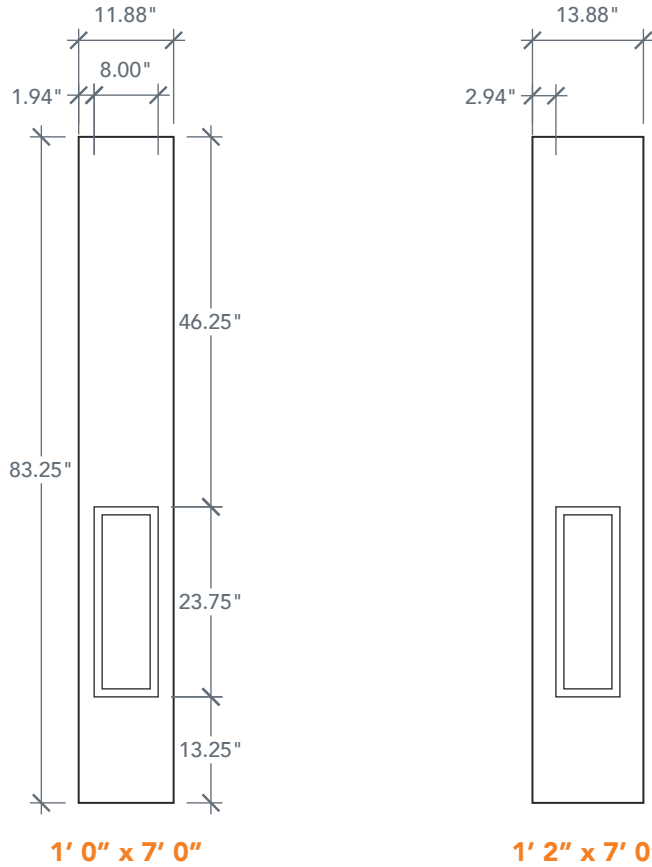




# 7'0" SLG6170 SIX PANEL UTILITY SIDELITE

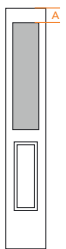
AVAILABLE SIZING

ARTWORK SCALE: 1/2"=1'



NOTE: BY REQUEST, SIDELITE HEIGHT COMES IN VARYING DIMENSIONS TO A MINIMUM OF 83". EXCESS WILL BE TAKEN FROM BOTTOM RAIL. ALL OTHER DIMENSIONS WILL REMAIN THE SAME.

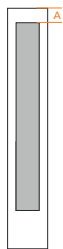
## CUTOUTS & GLASS



**HALF LITE**  
HL2

ALL Cutout 9" x 37"  
Glass 8" x 36"

A = 5.0"



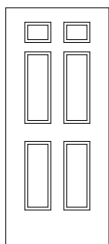
**FULL LITE**  
FL1

ALL Cutout 8" x 65"  
Glass 7" x 64"

A = 5.0"

A = DISTANCE FROM TOP OF DOOR TO TOP OF OPENING

## MATCHING DOORS



DRG6170

Available Widths:

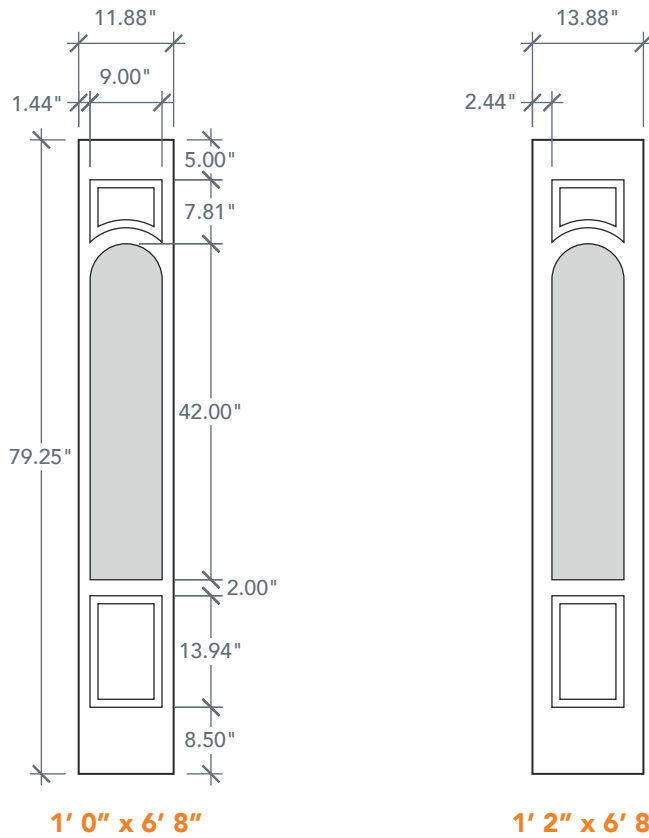
2' 8"  
2' 10"  
3' 0"

Spec Page = 94

# 6'8" SLG80 EIGHT PANEL SIDELITE

AVAILABLE SIZING

ARTWORK SCALE: 1/2"=1'

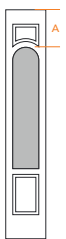


1' 0" x 6' 8"

1' 2" x 6' 8"

NOTE: BY REQUEST, SIDELITE HEIGHT COMES IN VARYING DIMENSIONS TO A MINIMUM OF 79". EXCESS WILL BE TAKEN FROM BOTTOM RAIL. ALL OTHER DIMENSIONS WILL REMAIN THE SAME.

## CUTOUTS & GLASS



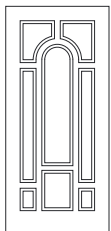
**CENTER ARCH LITE**  
8C1

ALL Cutout 9" x 42"  
Glass 8" x 41"

A = 12.81"

A = DISTANCE FROM TOP OF DOOR TO TOP OF OPENING

## MATCHING DOORS



DRG80

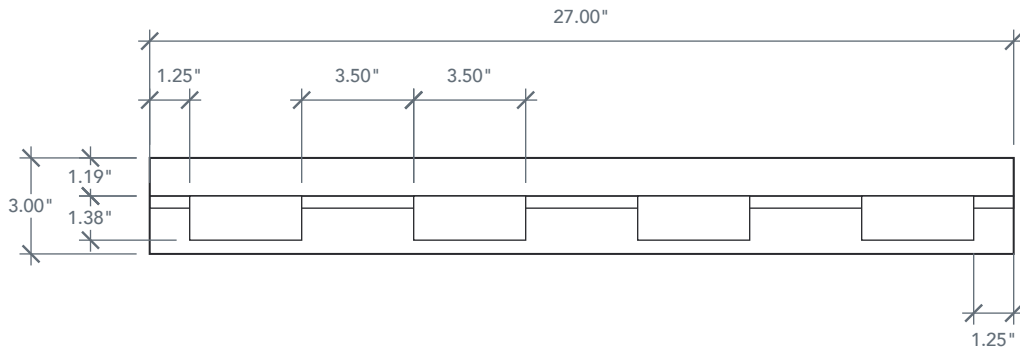
Available Widths:  
3' 0"

Spec Page = 97

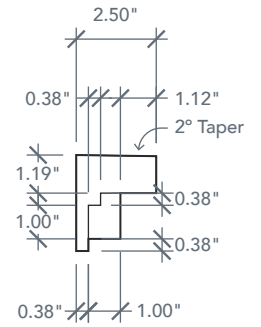
# ACDSGT2704 4 BLOCK DENTIL SHELF

## ACCESSORY DIMENSIONS

ARTWORK NOT TO SCALE

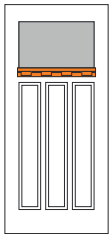


Front Profile



Side Profile

## ACCESSORY INFO



**Parts Per Set: 1**  
4 Block Dentil Shelf

**Matching Doors:**  
DRG6C | *Spec Page 90*

## SMOOTH SERIES

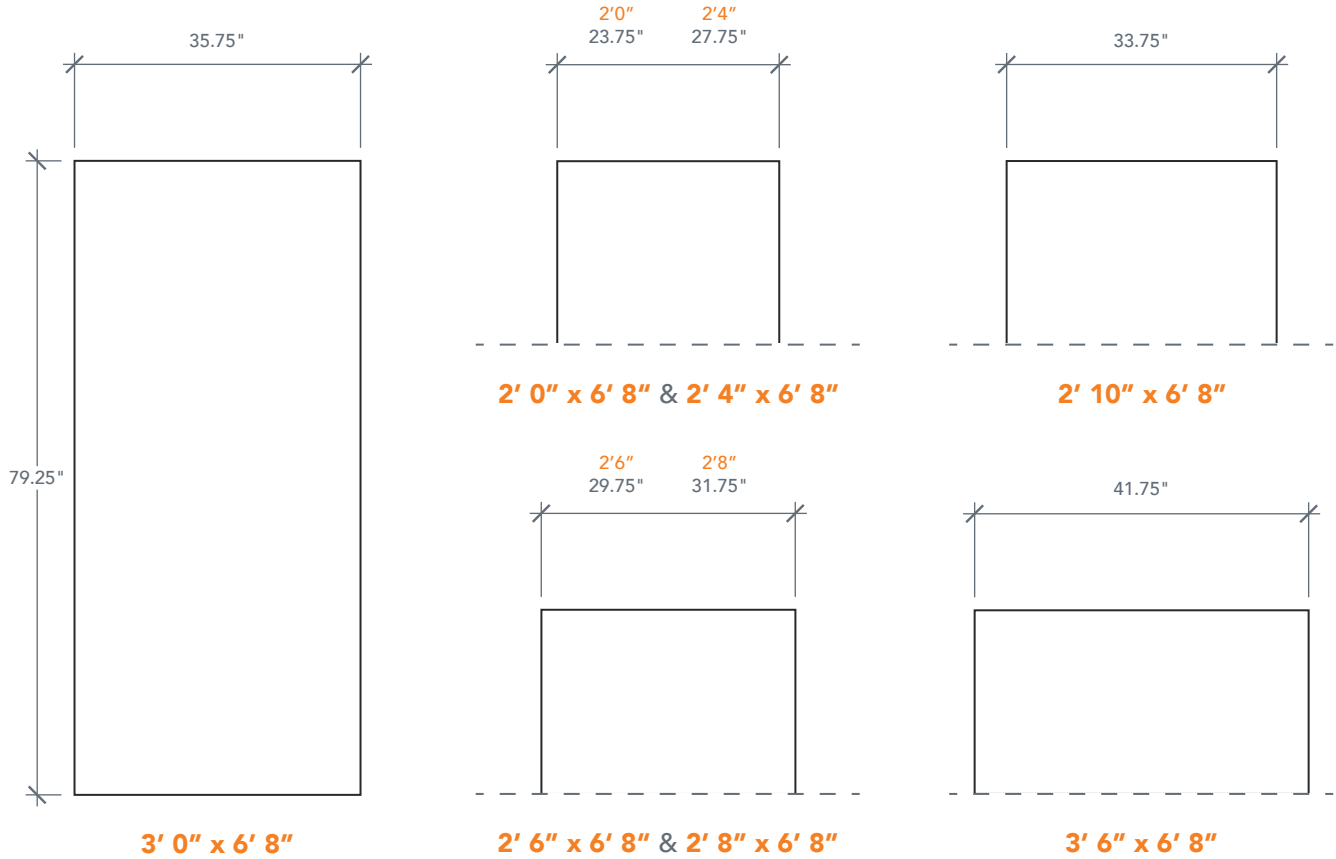
We need some appreciation for our natural beauties out there, and Plastpro is here to give it, specifically with our glorious Smooth Series. These doors are made with a pre-pigmented, white skin; its polished look accentuates a one-of-a-kind simplicity to any entryway. Our smooth skin incorporates a variety of panel designs and glass options which allows you to add spice to your door while still accomplishing a clean minimal look. Additionally, this series can be painted giving you the opportunity to create a door that exemplifies the real you.

**PG 114 - 163**

# 6'8" DRS00 FLUSH PANEL DOOR

AVAILABLE SIZING

ARTWORK SCALE: 1/2"=1'



NOTE: BY REQUEST, DOOR HEIGHT COMES IN VARYING DIMENSIONS TO A MINIMUM OF 79". EXCESS WILL BE TAKEN FROM BOTTOM RAIL. ALL OTHER DIMENSIONS WILL REMAIN THE SAME.

## CUTOUTS & GLASS

	<b>FULL LITE</b>	
	FL5	
	2'6"	Cutout 21" x 65" Glass 20" x 64"
	FL7	
2'8"	Cutout 23" x 65"	
2'10"	Glass 22" x 64"	
3'0"		
A = 6.0"		

A = DISTANCE FROM TOP OF DOOR TO TOP OF OPENING

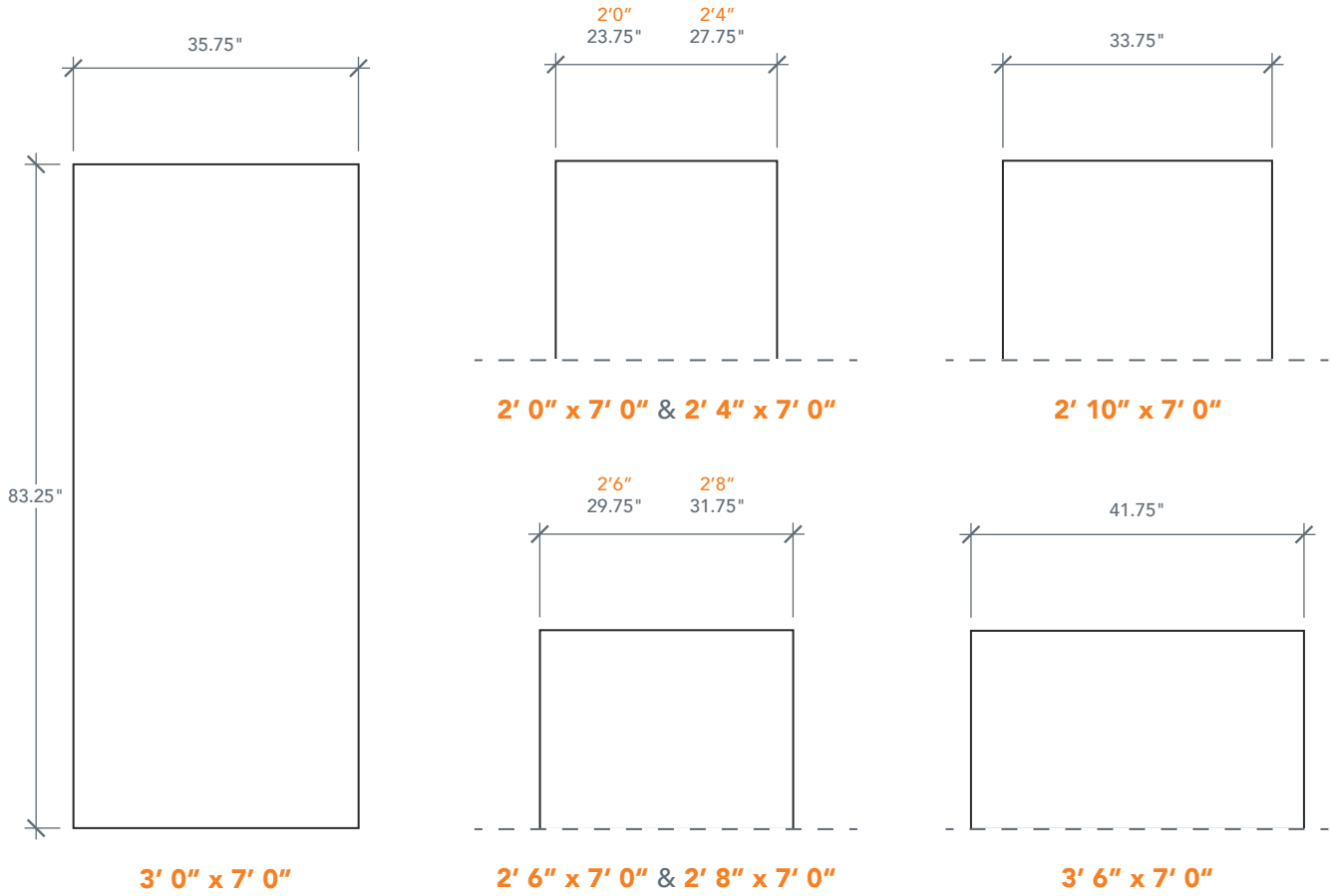
## MATCHING SIDELITES

	SLS00
	Available Widths: 1' 0" 1' 2"
	Spec Page = 149

# 7'0" DRS0070 FLUSH PANEL DOOR

AVAILABLE SIZING

ARTWORK SCALE: 1/2"=1'



NOTE: BY REQUEST, DOOR HEIGHT COMES IN VARYING DIMENSIONS TO A MINIMUM OF 83". EXCESS WILL BE TAKEN FROM BOTTOM RAIL. ALL OTHER DIMENSIONS WILL REMAIN THE SAME.

## CUTOUTS & GLASS

FULL LITE			
FL5			
2'6"	Cutout	21" x 65"	
	Glass	20" x 64"	
FL7			
2'8"	Cutout	23" x 65"	
2'10"	Glass	22" x 64"	
3'0"			
A = 7.5"			

A = DISTANCE FROM TOP OF DOOR TO TOP OF OPENING

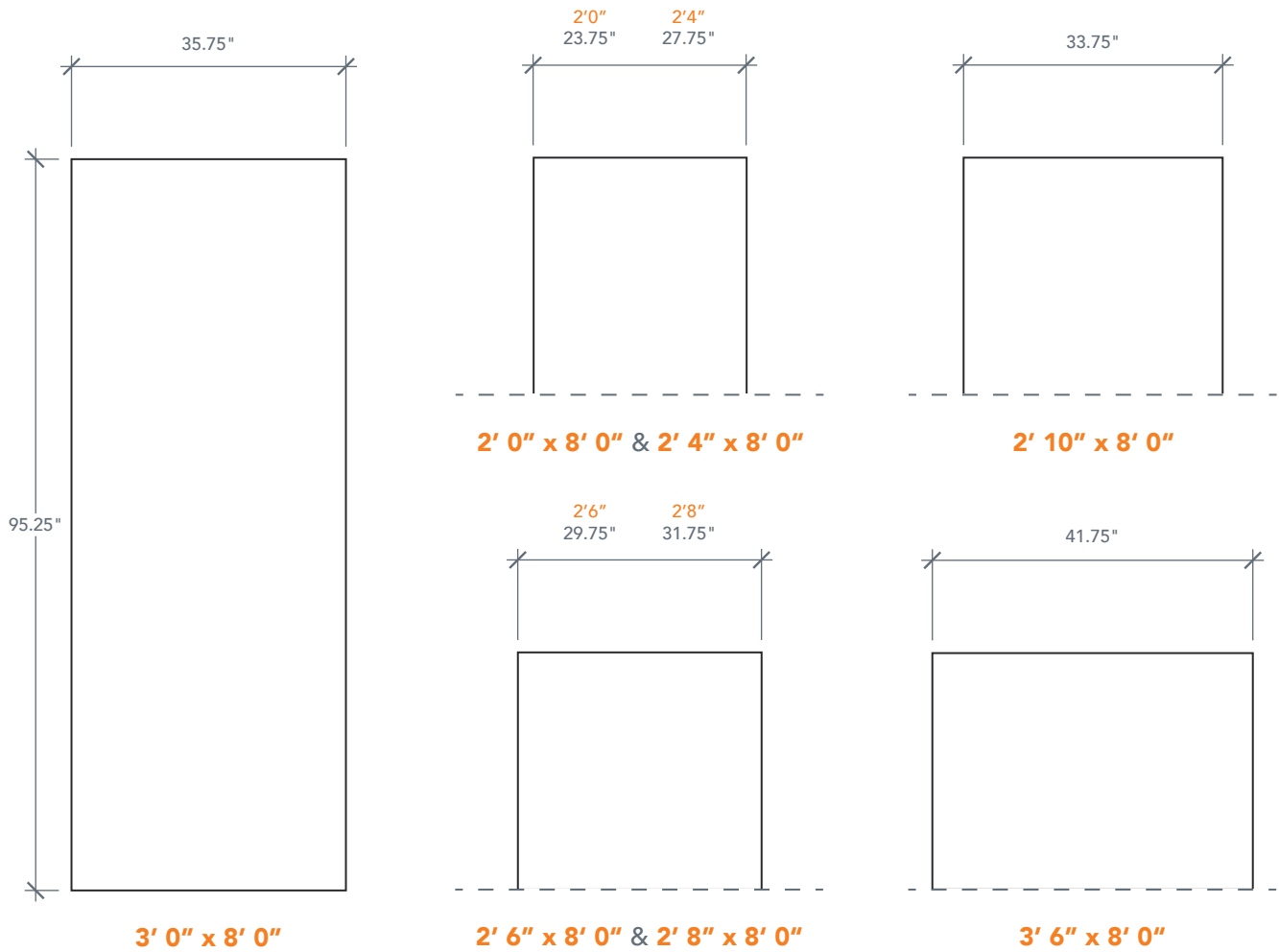
## MATCHING SIDELITES

	SLS0070
	Available Widths:
	1' 0" 1' 2"
	Spec Page = 150

# 8'0" DRS0080 FLUSH PANEL DOOR

## AVAILABLE SIZING

ARTWORK SCALE: 1/2"=1'



NOTE: BY REQUEST, DOOR HEIGHT COMES IN VARYING DIMENSIONS TO A MINIMUM OF 95". EXCESS WILL BE TAKEN FROM BOTTOM RAIL. ALL OTHER DIMENSIONS WILL REMAIN THE SAME.

## CUTOUTS & GLASS

FULL LITE	
FL6	
2'6"	Cutout 21" x 81" Glass 20" x 80"
FL8	
2'8"	Cutout 23" x 81"
2'10"	Glass 22" x 80"
3'0"	
A = 6.0"	

A = DISTANCE FROM TOP OF DOOR TO TOP OF OPENING

## MATCHING SIDELITES

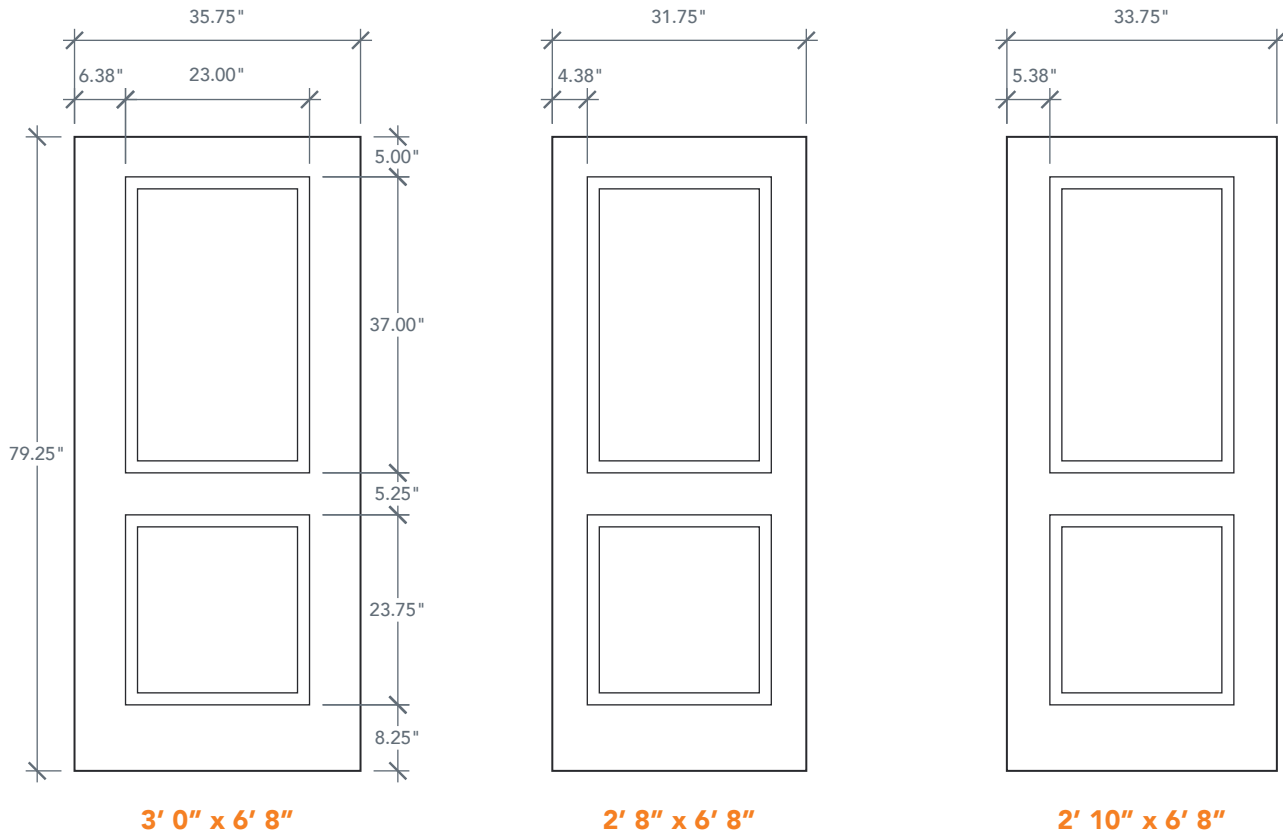
	SLS0080
	Available Widths: 1' 0" 1' 2"
	Spec Page = 151

# 6'8" DRS2B TWO PANEL DOOR

SQUARE PANEL & SQUARE TOP

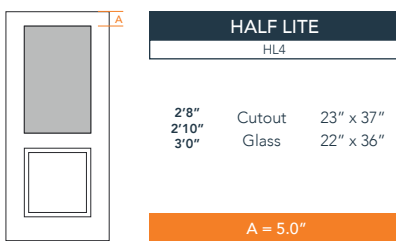
## AVAILABLE SIZING

ARTWORK SCALE: 1/2"=1'



NOTE: BY REQUEST, DOOR HEIGHT COMES IN VARYING DIMENSIONS TO A MINIMUM OF 79". EXCESS WILL BE TAKEN FROM BOTTOM RAIL. ALL OTHER DIMENSIONS WILL REMAIN THE SAME.

## CUTOUTS & GLASS



A = DISTANCE FROM TOP OF DOOR TO TOP OF OPENING

## MATCHING SIDELITES



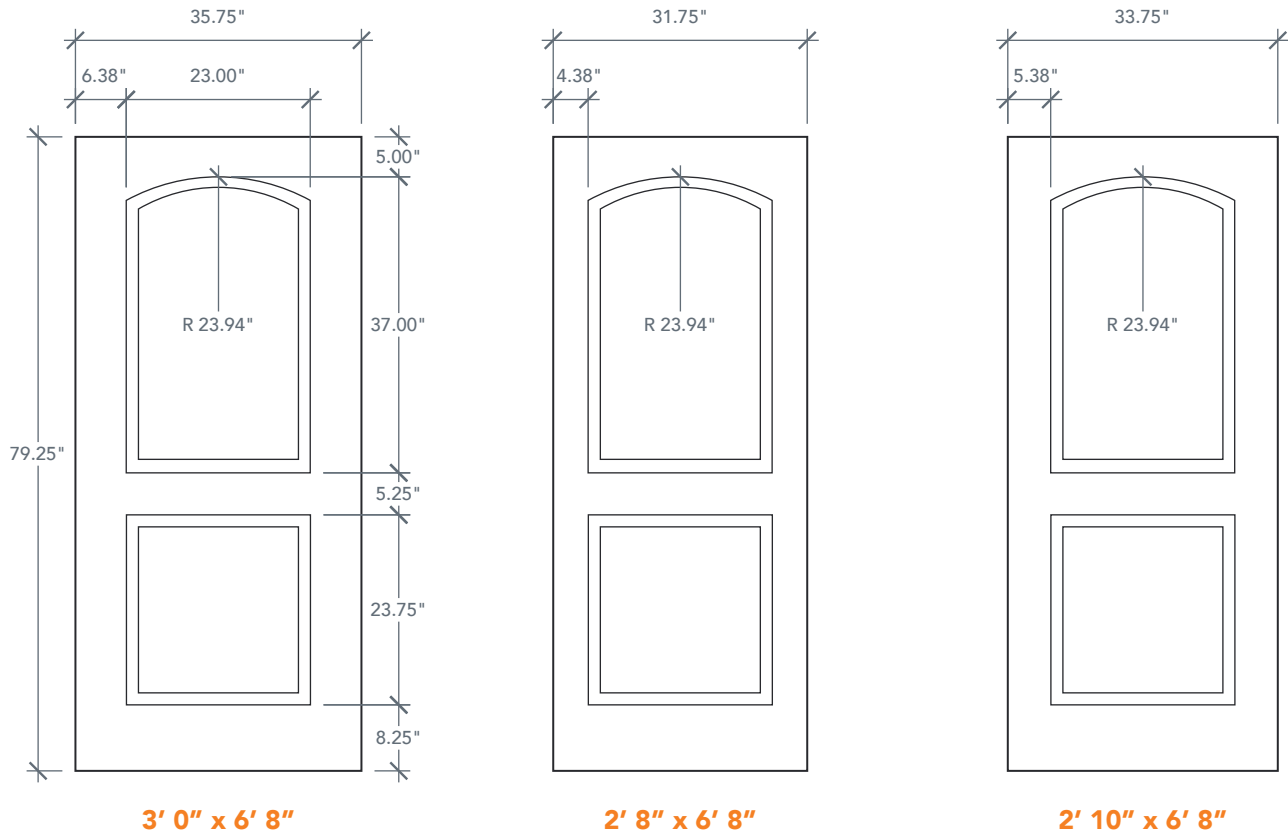


# 6'8" DRS2D TWO PANEL DOOR

ARCH PANEL & SQUARE TOP

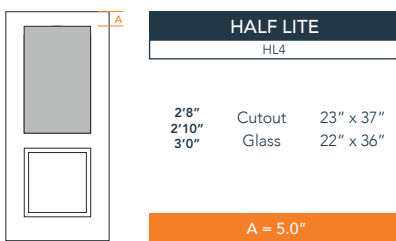
## AVAILABLE SIZING

ARTWORK SCALE: 1/2"=1'



NOTE: BY REQUEST, DOOR HEIGHT COMES IN VARYING DIMENSIONS TO A MINIMUM OF 79". EXCESS WILL BE TAKEN FROM BOTTOM RAIL. ALL OTHER DIMENSIONS WILL REMAIN THE SAME.

## CUTOUTS & GLASS



A = DISTANCE FROM TOP OF DOOR TO TOP OF OPENING

## MATCHING SIDELITES

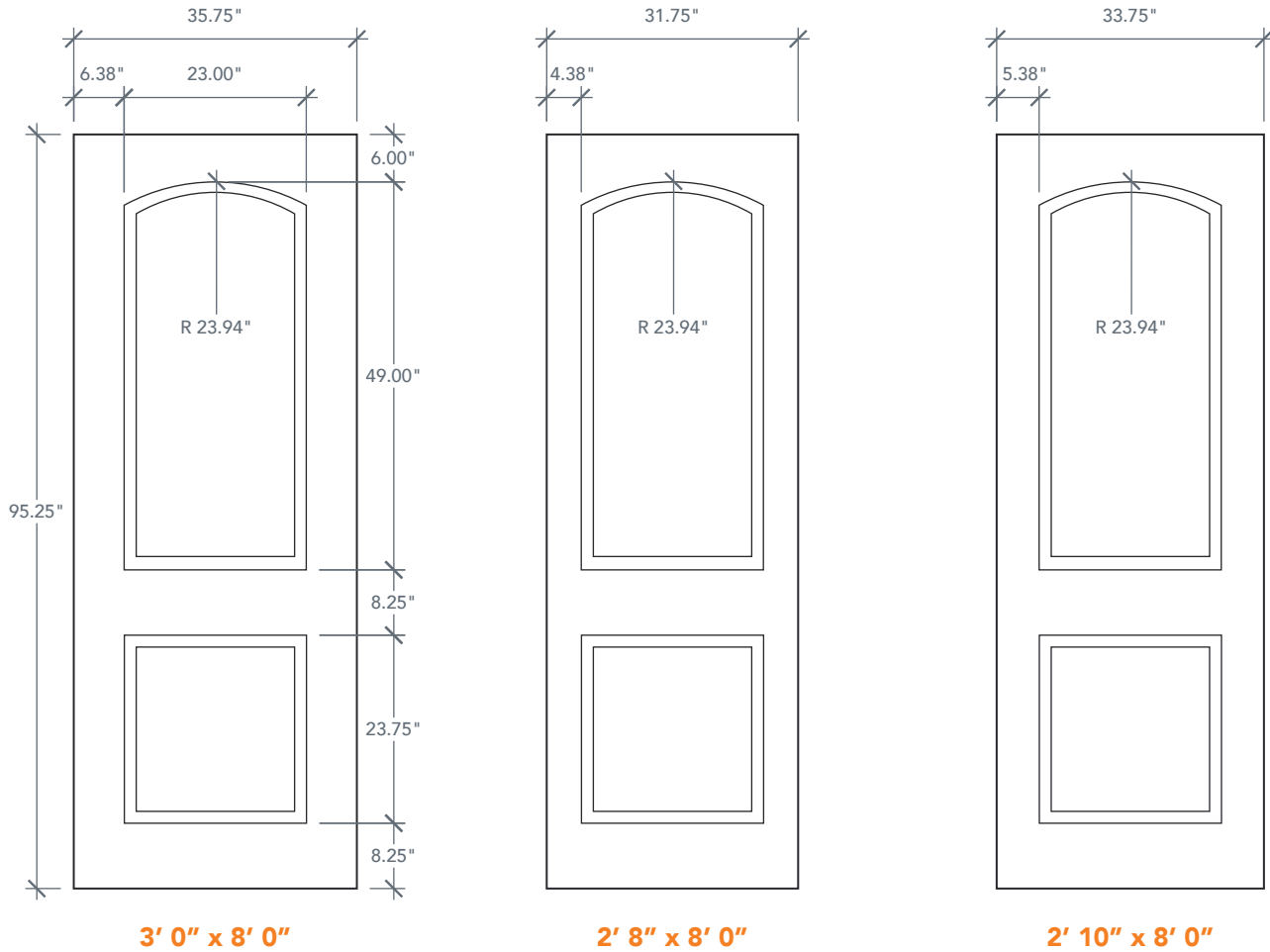


# 8'0" DRS2D80 TWO PANEL DOOR

ARCH PANEL & SQUARE TOP

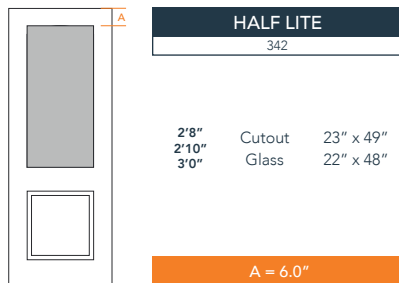
## AVAILABLE SIZING

ARTWORK SCALE: 1/2"=1'



NOTE: BY REQUEST, DOOR HEIGHT COMES IN VARYING DIMENSIONS TO A MINIMUM OF 95". EXCESS WILL BE TAKEN FROM BOTTOM RAIL. ALL OTHER DIMENSIONS WILL REMAIN THE SAME.

## CUTOUTS & GLASS



A = DISTANCE FROM TOP OF DOOR TO TOP OF OPENING

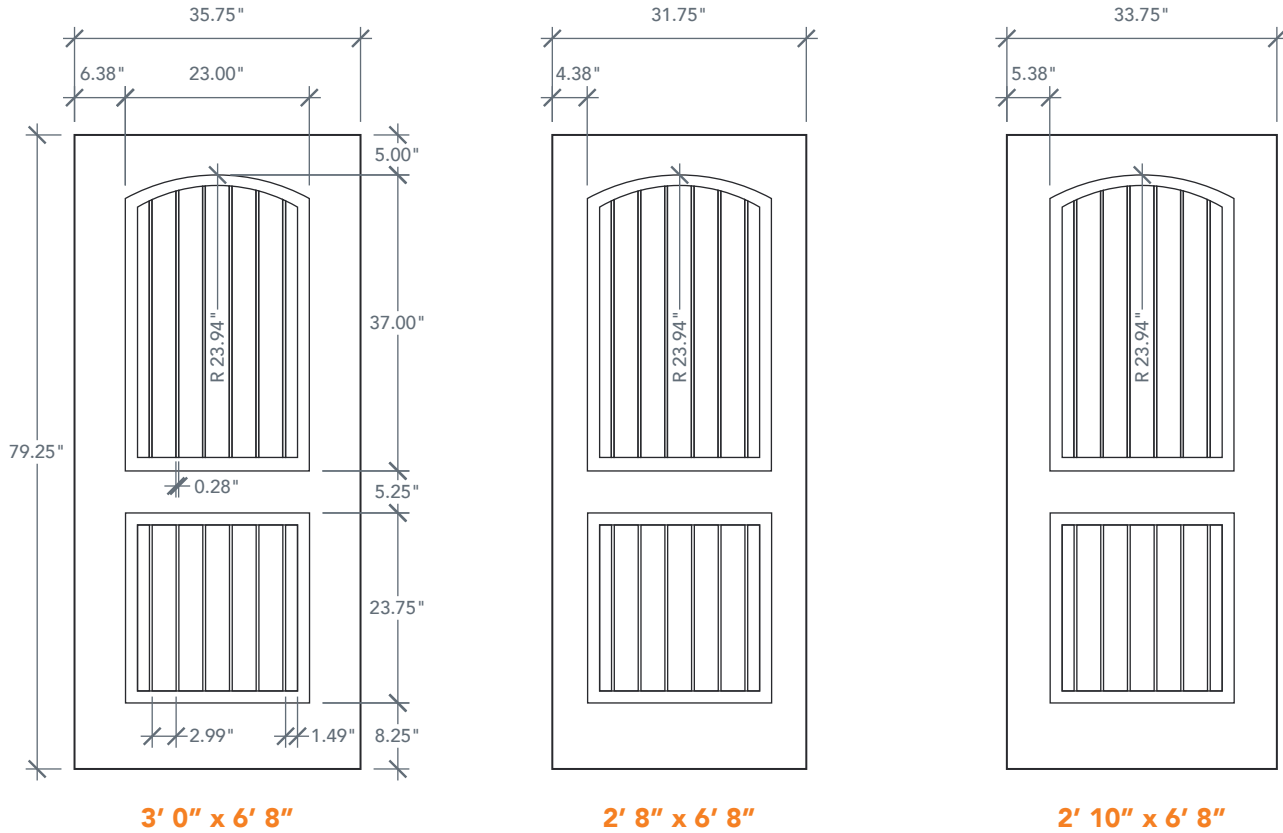
## MATCHING SIDELITES



# 6'8" DRS2G COTTAGE TWO PANEL DOOR

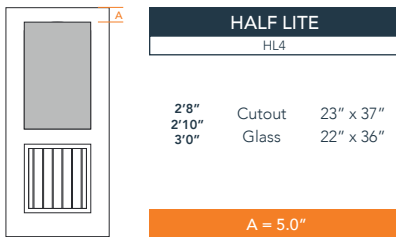
AVAILABLE SIZING

ARTWORK SCALE: 1/2"=1'



NOTE: BY REQUEST, DOOR HEIGHT COMES IN VARYING DIMENSIONS TO A MINIMUM OF 79". EXCESS WILL BE TAKEN FROM BOTTOM RAIL. ALL OTHER DIMENSIONS WILL REMAIN THE SAME.

## CUTOUTS & GLASS



A = DISTANCE FROM TOP OF DOOR TO TOP OF OPENING

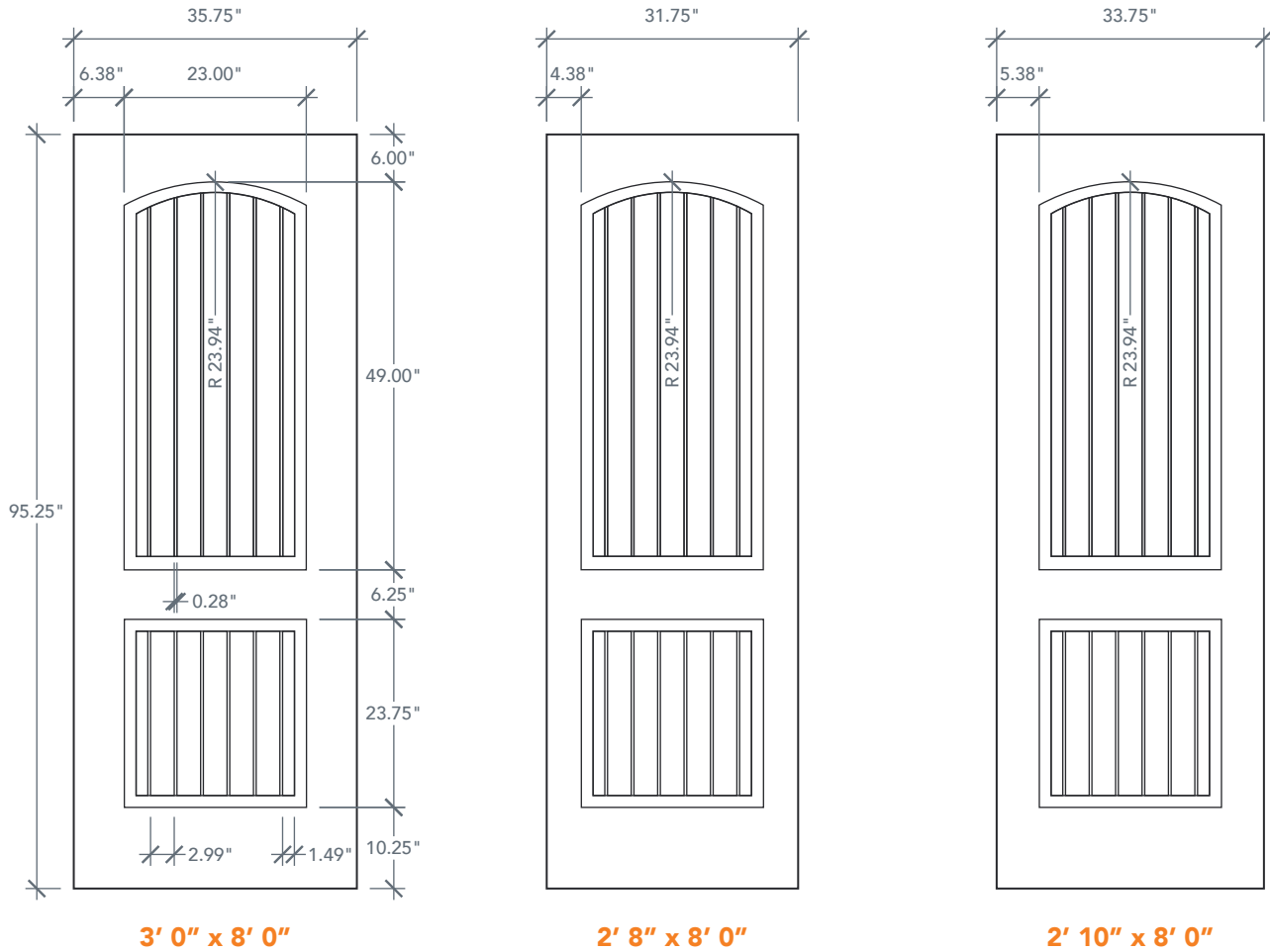
## MATCHING SIDELITES



# 8'0" DRS2G80 COTTAGE TWO PANEL DOOR

## AVAILABLE SIZING

ARTWORK SCALE: 1/2"=1'



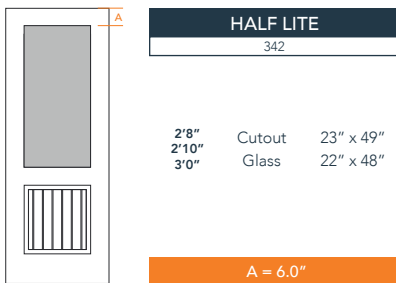
3' 0" x 8' 0"

2' 8" x 8' 0"

2' 10" x 8' 0"

NOTE: BY REQUEST, DOOR HEIGHT COMES IN VARYING DIMENSIONS TO A MINIMUM OF 95". EXCESS WILL BE TAKEN FROM BOTTOM RAIL. ALL OTHER DIMENSIONS WILL REMAIN THE SAME.

## CUTOUTS & GLASS

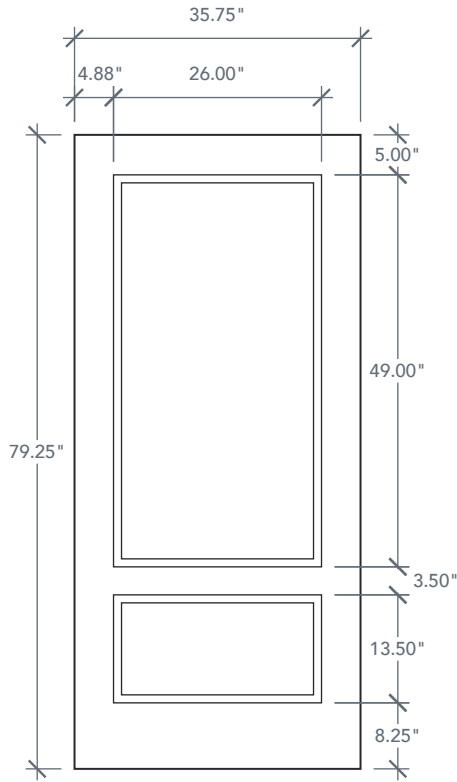


A = DISTANCE FROM TOP OF DOOR TO TOP OF OPENING

# 6'8" DRS20 3/4 HERITAGE DOOR

AVAILABLE SIZING

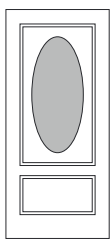
ARTWORK SCALE: 1/2"=1'



**3' 0" x 6' 8"**

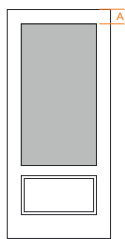
NOTE: BY REQUEST, DOOR HEIGHT COMES IN VARYING DIMENSIONS TO A MINIMUM OF 79". EXCESS WILL BE TAKEN FROM BOTTOM RAIL. ALL OTHER DIMENSIONS WILL REMAIN THE SAME.

## CUTOUTS & GLASS



**3/4 OVAL LITE**  
3V2

3'0" Cutout 17.84" x 40.12"  
Glass 16.78" x 38.72"



**3/4 LITE**  
343

3'0" Cutout 26" x 49"  
Glass 25" x 48"

A = 5.0"

OVAL IS CENTERED IN PANEL HEIGHT

A = DISTANCE FROM TOP OF DOOR TO TOP OF OPENING

## MATCHING SIDELITES



SLS3E

Available Widths:

1' 0"  
1' 2"

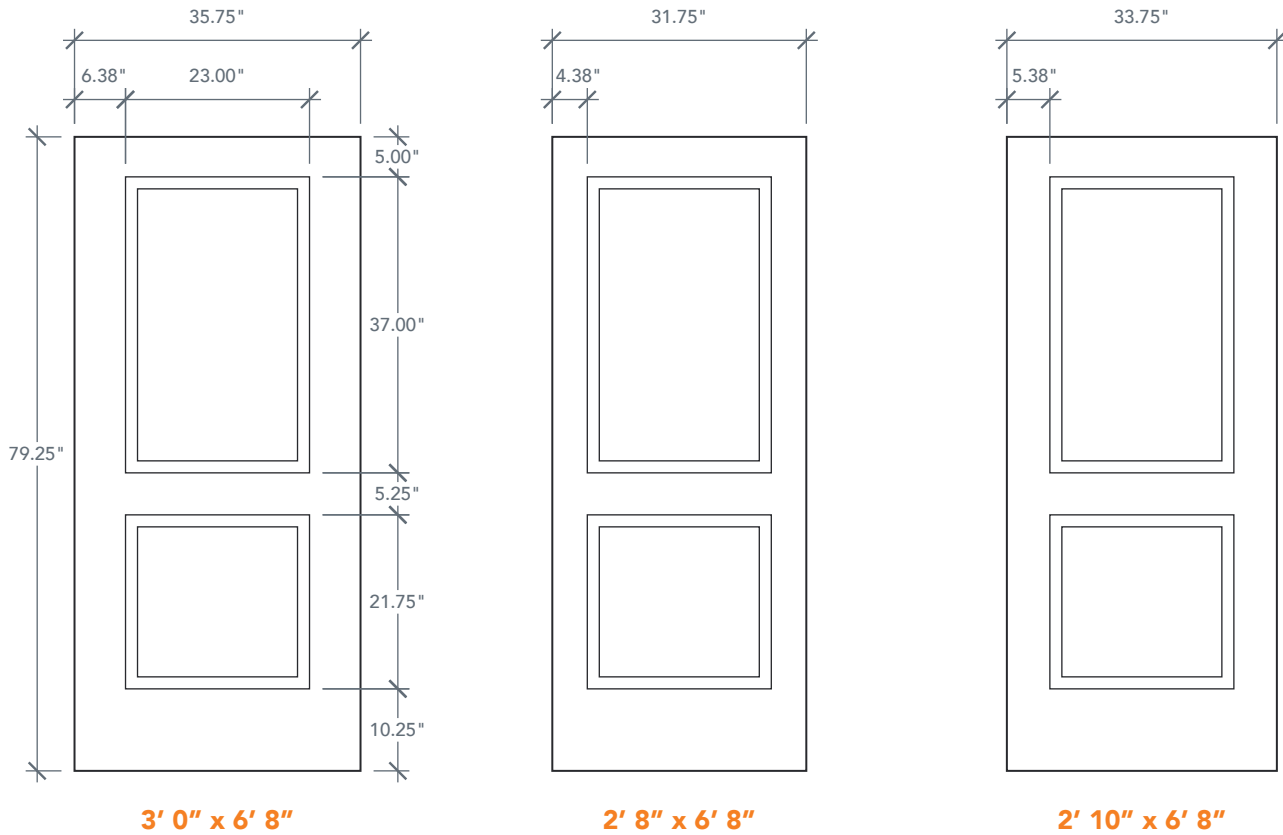
Spec Page = 152

# 6'8" DRS22 TWO PANEL DOOR

10" BOTTOM RAIL

## AVAILABLE SIZING

ARTWORK SCALE: 1/2"=1'



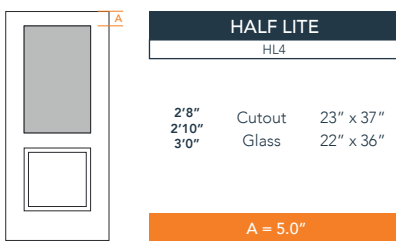
3' 0" x 6' 8"

2' 8" x 6' 8"

2' 10" x 6' 8"

NOTE: BY REQUEST, DOOR HEIGHT COMES IN VARYING DIMENSIONS TO A MINIMUM OF 79". EXCESS WILL BE TAKEN FROM BOTTOM RAIL. ALL OTHER DIMENSIONS WILL REMAIN THE SAME.

## CUTOUTS & GLASS



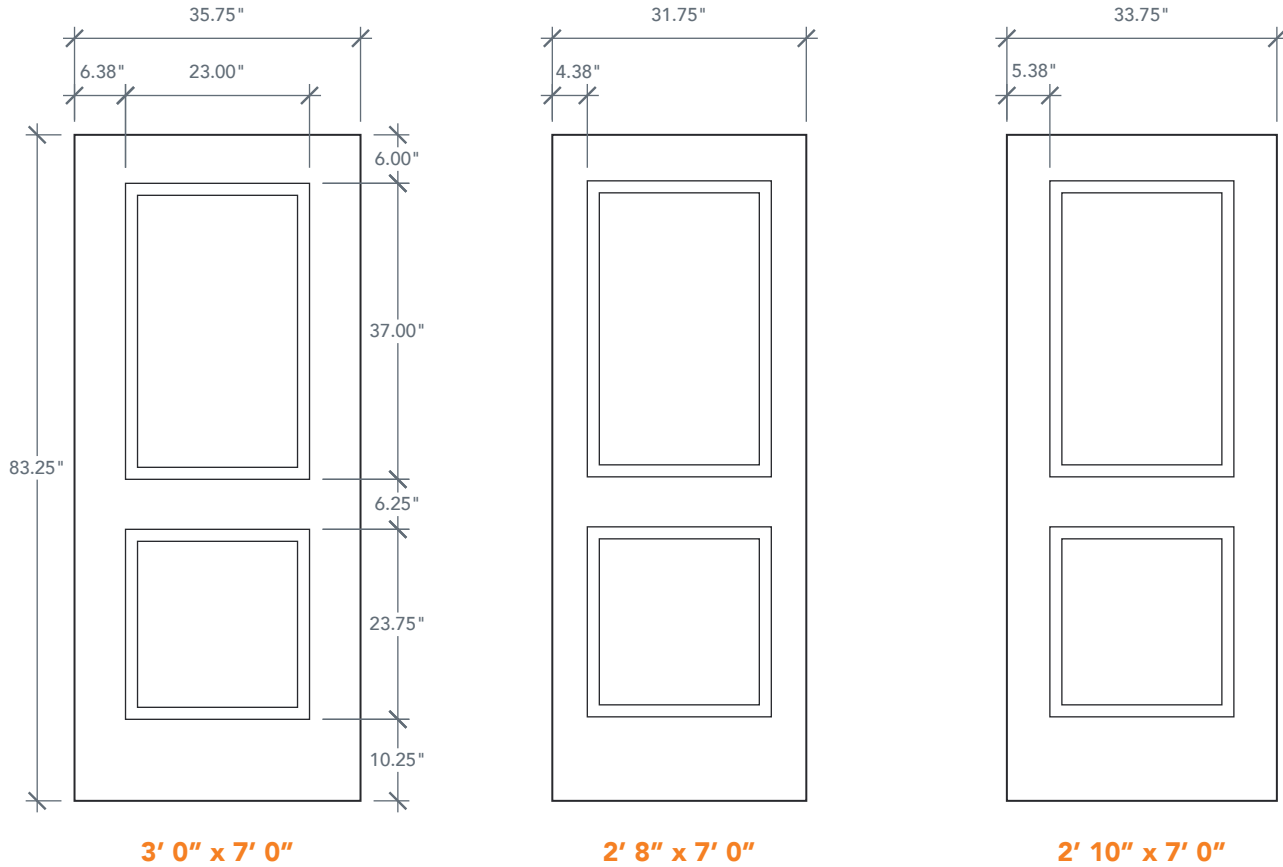
A = DISTANCE FROM TOP OF DOOR TO TOP OF OPENING

# 7'0" DRS2270 TWO PANEL DOOR

10" BOTTOM RAIL

## AVAILABLE SIZING

ARTWORK SCALE: 1/2"=1'



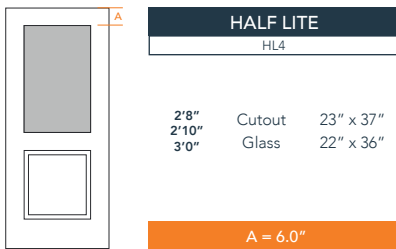
3' 0" x 7' 0"

2' 8" x 7' 0"

2' 10" x 7' 0"

NOTE: BY REQUEST, DOOR HEIGHT COMES IN VARYING DIMENSIONS TO A MINIMUM OF 83". EXCESS WILL BE TAKEN FROM BOTTOM RAIL. ALL OTHER DIMENSIONS WILL REMAIN THE SAME.

## CUTOUTS & GLASS



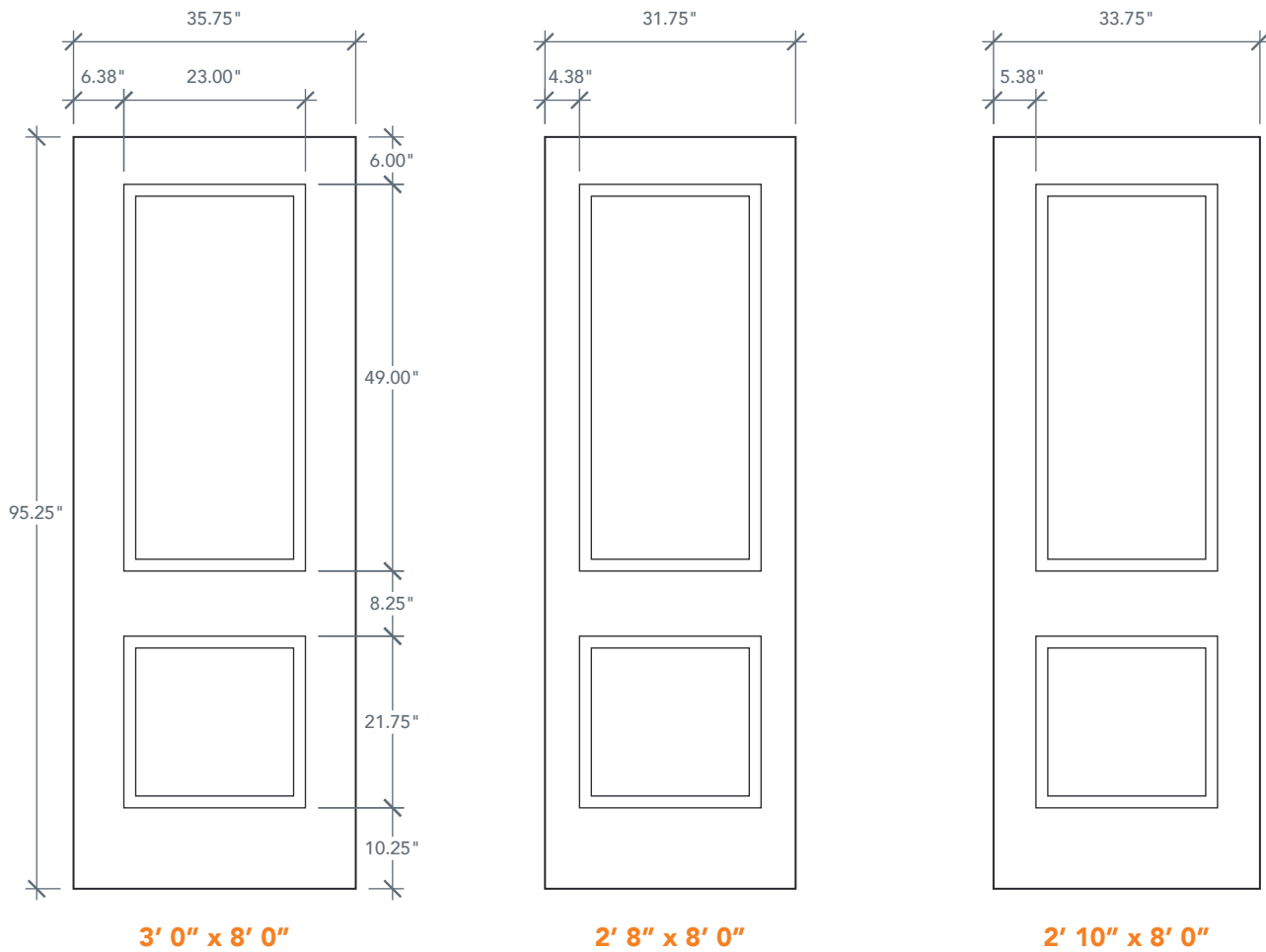
A = DISTANCE FROM TOP OF DOOR TO TOP OF OPENING

# 8'0" DRS2280 TWO PANEL DOOR

10" BOTTOM RAIL

## AVAILABLE SIZING

ARTWORK SCALE: 1/2"=1'



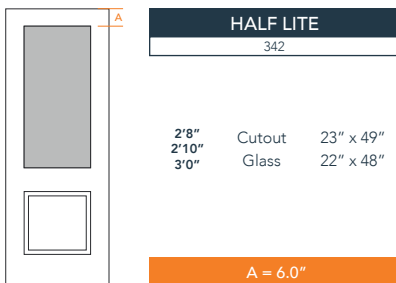
3' 0" x 8' 0"

2' 8" x 8' 0"

2' 10" x 8' 0"

NOTE: BY REQUEST, DOOR HEIGHT COMES IN VARYING DIMENSIONS TO A MINIMUM OF 95". EXCESS WILL BE TAKEN FROM BOTTOM RAIL. ALL OTHER DIMENSIONS WILL REMAIN THE SAME.

## CUTOUTS & GLASS



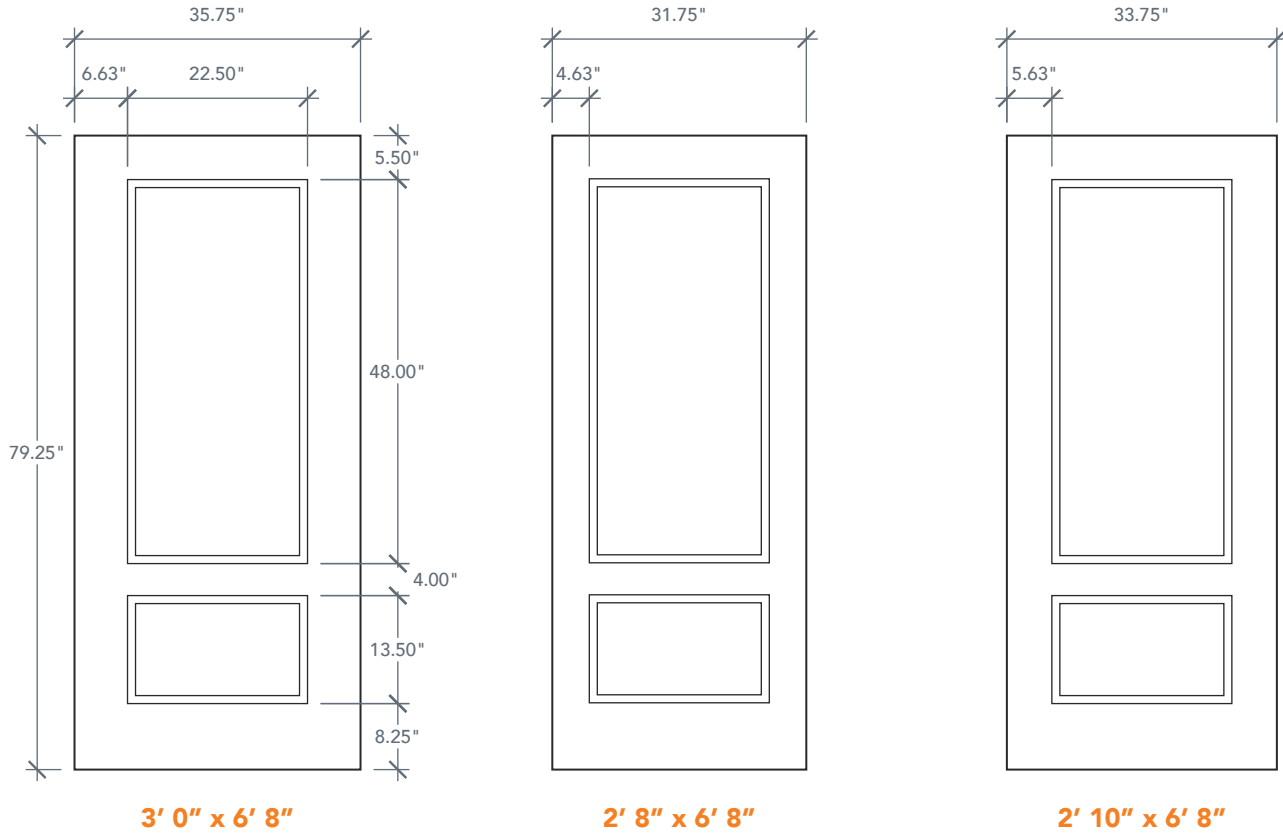
A = DISTANCE FROM TOP OF DOOR TO TOP OF OPENING



# 6'8" DRS29 3/4 TWO PANEL DOOR

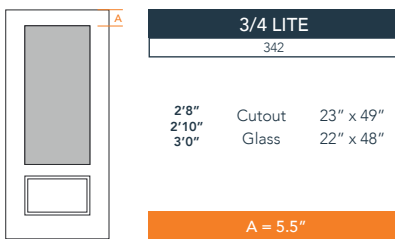
AVAILABLE SIZING

ARTWORK SCALE: 1/2"=1'



NOTE: BY REQUEST, DOOR HEIGHT COMES IN VARYING DIMENSIONS TO A MINIMUM OF 79". EXCESS WILL BE TAKEN FROM BOTTOM RAIL. ALL OTHER DIMENSIONS WILL REMAIN THE SAME.

## CUTOUTS & GLASS

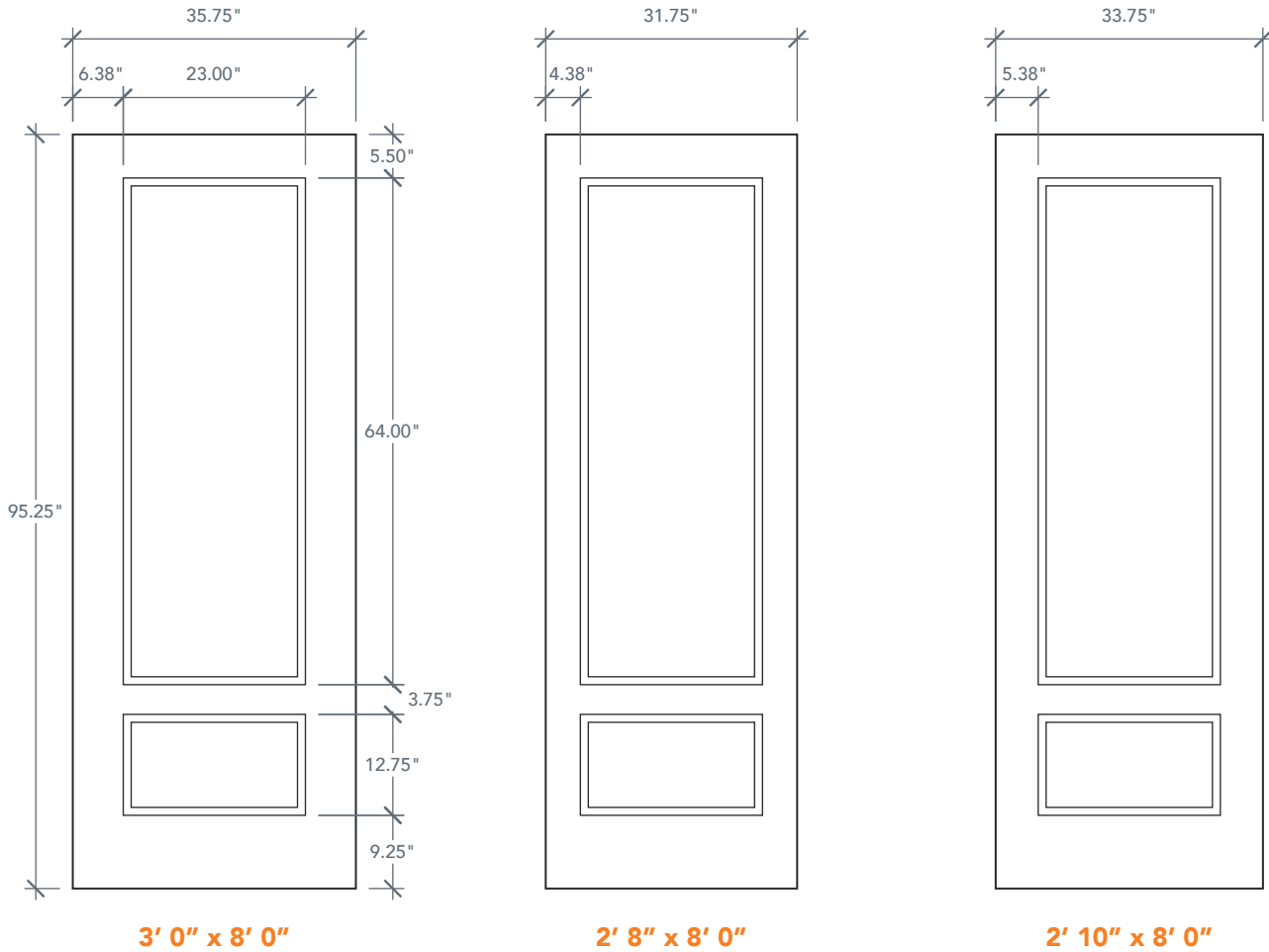


A = DISTANCE FROM TOP OF DOOR TO TOP OF OPENING

# 8'0" DRS2980 3/4 TWO PANEL DOOR

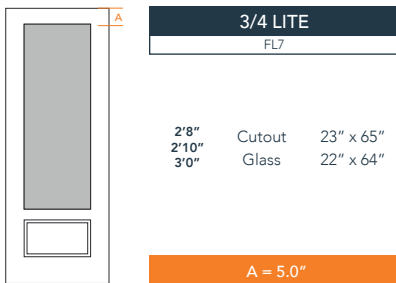
## AVAILABLE SIZING

ARTWORK SCALE: 1/2"=1'



NOTE: BY REQUEST, DOOR HEIGHT COMES IN VARYING DIMENSIONS TO A MINIMUM OF 95". EXCESS WILL BE TAKEN FROM BOTTOM RAIL. ALL OTHER DIMENSIONS WILL REMAIN THE SAME.

## CUTOUTS & GLASS



A = DISTANCE FROM TOP OF DOOR TO TOP OF OPENING

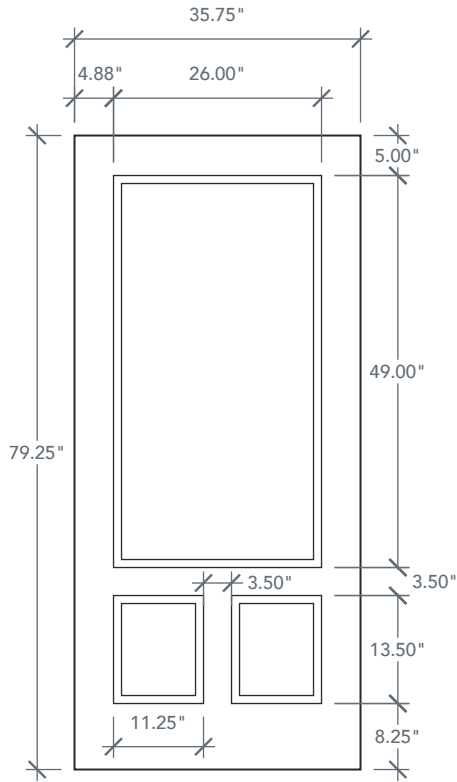
## MATCHING SIDELITES



# 6'8" DRS3E 3/4 ELITE DOOR

AVAILABLE SIZING

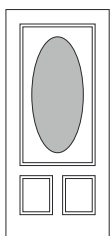
ARTWORK SCALE: 1/2"=1'



**3' 0" x 6' 8"**

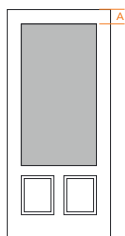
NOTE: BY REQUEST, DOOR HEIGHT COMES IN VARYING DIMENSIONS TO A MINIMUM OF 79". EXCESS WILL BE TAKEN FROM BOTTOM RAIL. ALL OTHER DIMENSIONS WILL REMAIN THE SAME.

## CUTOUTS & GLASS



**3/4 OVAL LITE**  
3V2

3'0" Cutout 17.84" x 40.12"  
Glass 16.78" x 38.72"



**3/4 LITE**  
343

3'0" Cutout 26" x 49"  
Glass 25" x 48"

A = 5.0"

OVAL IS CENTERED IN PANEL HEIGHT

A = DISTANCE FROM TOP OF DOOR TO TOP OF OPENING

## MATCHING SIDELITES



SLS3E

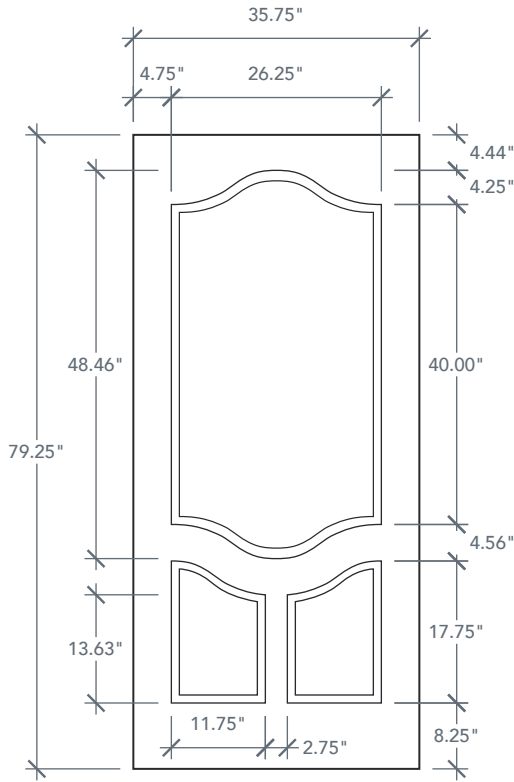
Available Widths:  
1' 0"  
1' 2"

Spec Page = 152

# 6'8" DRS3P 3/4 PREMIUM DOOR

AVAILABLE SIZING

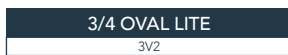
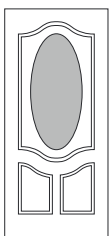
ARTWORK SCALE: 1/2"=1'



**3' 0" x 6' 8"**

NOTE: BY REQUEST, DOOR HEIGHT COMES IN VARYING DIMENSIONS TO A MINIMUM OF 79". EXCESS WILL BE TAKEN FROM BOTTOM RAIL. ALL OTHER DIMENSIONS WILL REMAIN THE SAME.

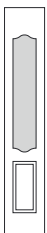
## CUTOUTS & GLASS



3'0"    Cutout    17.84" x 40.12"  
          Glass    16.78" x 38.72"

OVAL IS CENTERED IN PANEL HEIGHT

## MATCHING SIDELITES



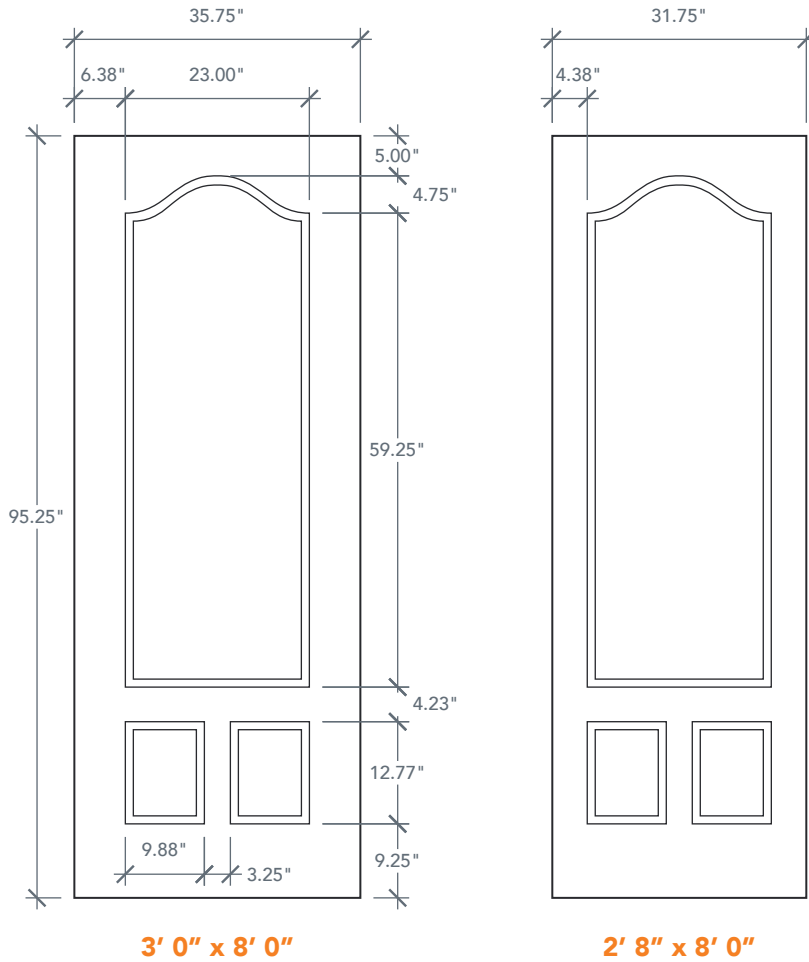
SLS3P  
**Available Widths:**  
 1' 0"  
 1' 2"

Spec Page = 153

# 8'0" DRS3080 3/4 THREE PANEL DOOR

## AVAILABLE SIZING

ARTWORK SCALE: 1/2"=1'



**3' 0" x 8' 0"**

**2' 8" x 8' 0"**

NOTE: BY REQUEST, DOOR HEIGHT COMES IN VARYING DIMENSIONS TO A MINIMUM OF 95". EXCESS WILL BE TAKEN FROM BOTTOM RAIL. ALL OTHER DIMENSIONS WILL REMAIN THE SAME.

## CUTOUTS & GLASS

Diagram	3/4 OVAL LITE 3V3	3/4 LITE FL7	FULL LITE FL8
2'8" Cutout 3'0" Glass	2'8" Cutout 3'0" Glass	2'8" Cutout 3'0" Glass	
14 3/5" x 54 3/5" 13" x 53"	23" x 65" 22" x 64"	23" x 81" 22" x 80"	
A = 9.75"	A = 5.0"	A = 5.0"	

A = DISTANCE FROM TOP OF DOOR TO TOP OF OPENING

## MATCHING SIDELITES

SLS3080

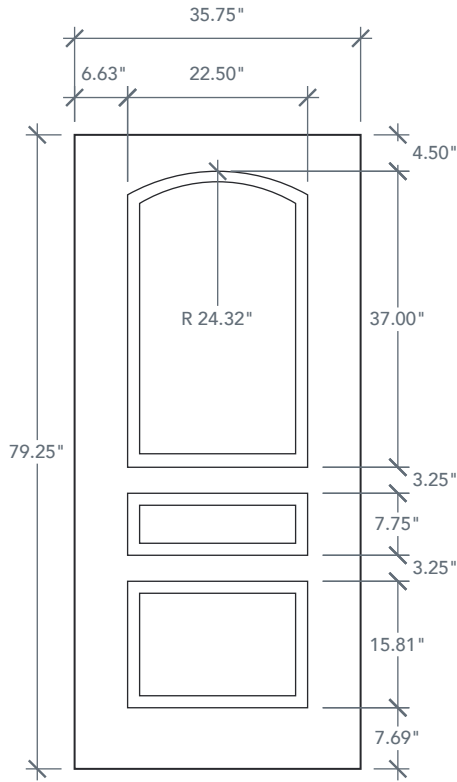
Available Widths:  
1' 0"  
1' 2"

Spec Page = 154

# 6'8" DRS31 THREE PANEL DOOR

AVAILABLE SIZING

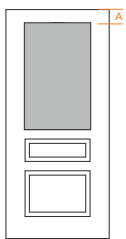
ARTWORK SCALE: 1/2"=1'



**3' 0" x 6' 8"**

NOTE: BY REQUEST, DOOR HEIGHT COMES IN VARYING DIMENSIONS TO A MINIMUM OF 79". EXCESS WILL BE TAKEN FROM BOTTOM RAIL. ALL OTHER DIMENSIONS WILL REMAIN THE SAME.

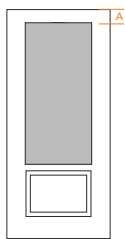
## CUTOUTS & GLASS



**HALF LITE**  
HL4

3'0" Cutout 23" x 37"  
Glass 22" x 36"

A = 4.5"



**3/4 LITE**  
342

3'0" Cutout 23" x 49"  
Glass 22" x 48"

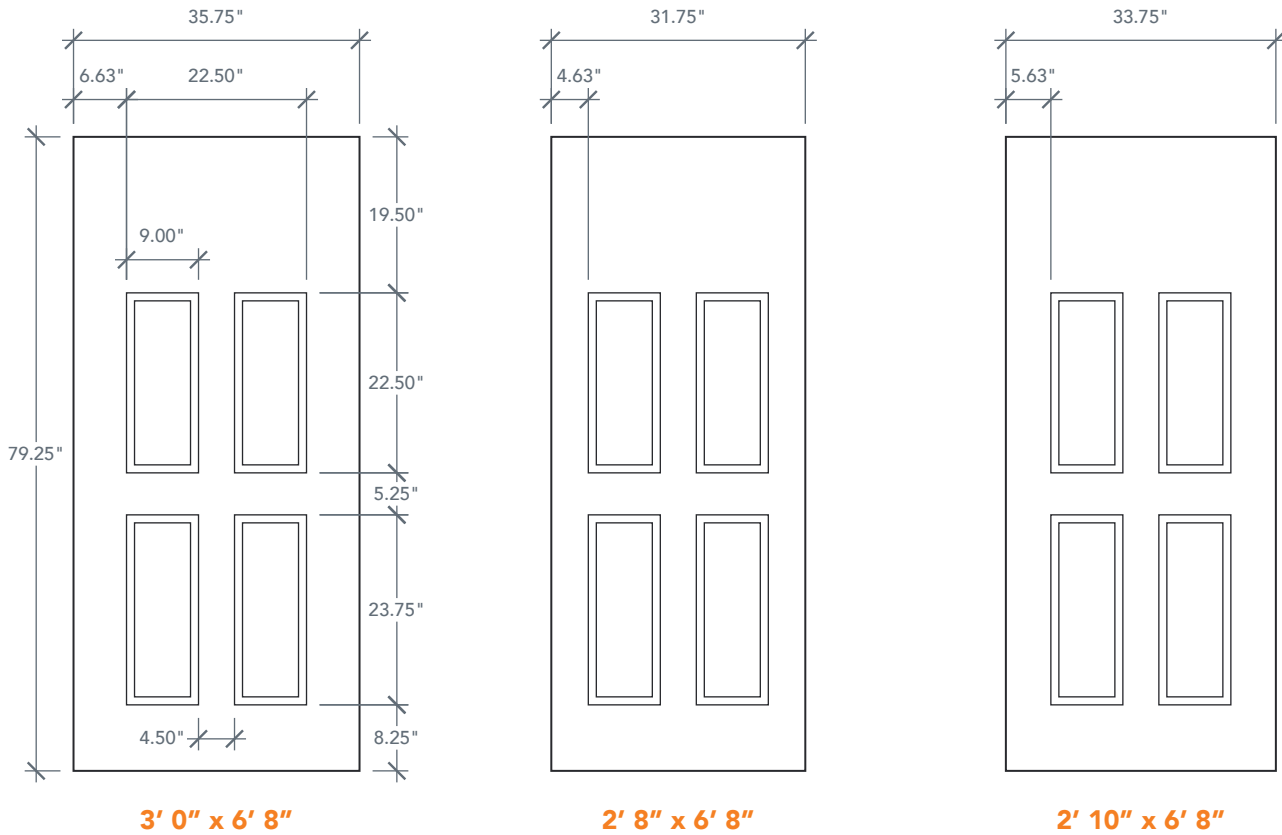
A = 4.5"

A = DISTANCE FROM TOP OF DOOR TO TOP OF OPENING

# 6'8" DRS40 FOUR PANEL BLANK TOP DOOR

AVAILABLE SIZING

ARTWORK SCALE: 1/2"=1'



**3' 0" x 6' 8"**

**2' 8" x 6' 8"**

**2' 10" x 6' 8"**

NOTE: BY REQUEST, DOOR HEIGHT COMES IN VARYING DIMENSIONS TO A MINIMUM OF 79". EXCESS WILL BE TAKEN FROM BOTTOM RAIL. ALL OTHER DIMENSIONS WILL REMAIN THE SAME.

## CUTOUTS & GLASS

	<table border="1"> <tr><th colspan="2">HALF ROUND LITE</th></tr> <tr><td colspan="2">HR1</td></tr> <tr><td>2'8"</td><td>Cutout</td><td>23" x 11"</td></tr> <tr><td>2'10"</td><td>Glass</td><td>22" x 10"</td></tr> <tr><td>3'0"</td><td></td><td></td></tr> </table> <p style="text-align: center; background-color: #f4a460; padding: 2px;">A = 4.0"</p>	HALF ROUND LITE		HR1		2'8"	Cutout	23" x 11"	2'10"	Glass	22" x 10"	3'0"				<table border="1"> <tr><th colspan="2">HALF LITE</th></tr> <tr><td colspan="2">HL4</td></tr> <tr><td>2'8"</td><td>Cutout</td><td>23" x 37"</td></tr> <tr><td>2'10"</td><td>Glass</td><td>22" x 36"</td></tr> <tr><td>3'0"</td><td></td><td></td></tr> </table> <p style="text-align: center; background-color: #f4a460; padding: 2px;">A = 5.0"</p>	HALF LITE		HL4		2'8"	Cutout	23" x 37"	2'10"	Glass	22" x 36"	3'0"				<table border="1"> <tr><th colspan="2">FULL LITE</th></tr> <tr><td colspan="2">FL7</td></tr> <tr><td>2'8"</td><td>Cutout</td><td>23" x 65"</td></tr> <tr><td>2'10"</td><td>Glass</td><td>22" x 64"</td></tr> <tr><td>3'0"</td><td></td><td></td></tr> </table> <p style="text-align: center; background-color: #f4a460; padding: 2px;">A = 6.0"</p>	FULL LITE		FL7		2'8"	Cutout	23" x 65"	2'10"	Glass	22" x 64"	3'0"		
HALF ROUND LITE																																												
HR1																																												
2'8"	Cutout	23" x 11"																																										
2'10"	Glass	22" x 10"																																										
3'0"																																												
HALF LITE																																												
HL4																																												
2'8"	Cutout	23" x 37"																																										
2'10"	Glass	22" x 36"																																										
3'0"																																												
FULL LITE																																												
FL7																																												
2'8"	Cutout	23" x 65"																																										
2'10"	Glass	22" x 64"																																										
3'0"																																												

A = DISTANCE FROM TOP OF DOOR TO TOP OF OPENING

## MATCHING SIDELITES

SLS60

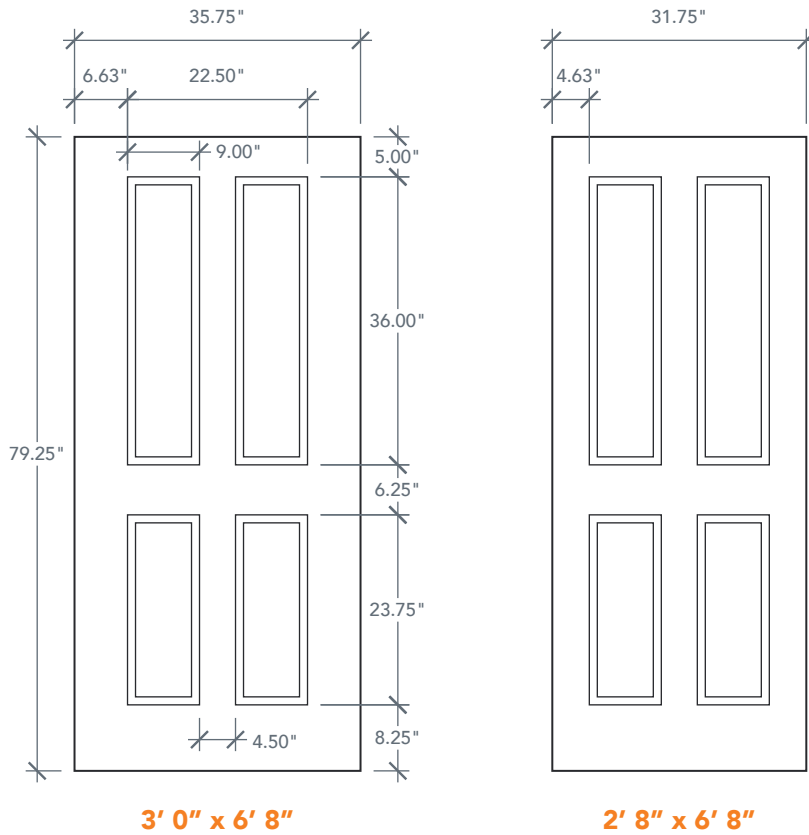
Available Widths:  
1' 0"  
1' 2"

Spec Page = 157

# 6'8" DRS41 TRUE FOUR PANEL DOOR

AVAILABLE SIZING

ARTWORK SCALE: 1/2"=1'

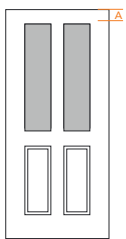


**3' 0" x 6' 8"**

**2' 8" x 6' 8"**

NOTE: BY REQUEST, DOOR HEIGHT COMES IN VARYING DIMENSIONS TO A MINIMUM OF 79". EXCESS WILL BE TAKEN FROM BOTTOM RAIL. ALL OTHER DIMENSIONS WILL REMAIN THE SAME.

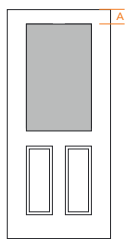
## CUTOUTS & GLASS



**TWIN LITE**  
HL2

2'8" Cutout 9" x 37"  
3'0" Glass 8" x 36"

A = 5.0"



**HALF LITE**  
HL4

2'8" Cutout 23" x 37"  
3'0" Glass 22" x 36"

A = 5.0"

A = DISTANCE FROM TOP OF DOOR TO TOP OF OPENING

## MATCHING SIDELITES



SLS60

Available Widths:

1' 0"  
1' 2"

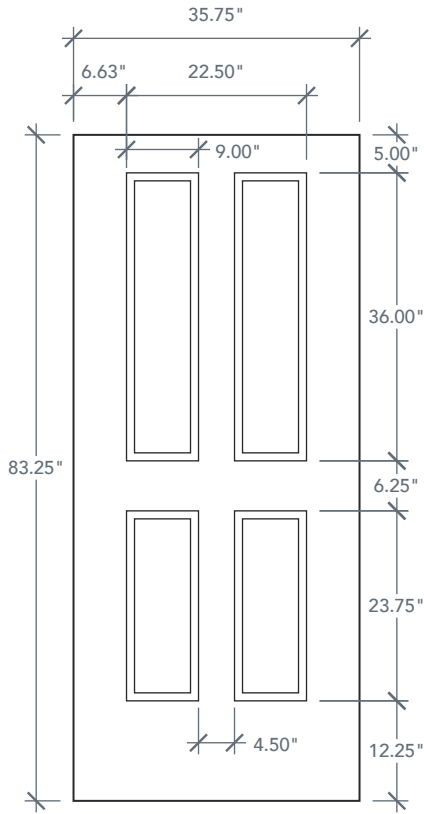
Spec Page = 157



# 7'0" DRS4170 TRUE FOUR PANEL DOOR

AVAILABLE SIZING

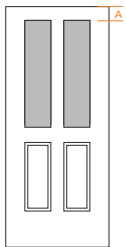
ARTWORK SCALE: 1/2"=1'



**3' 0" x 7' 0"**

NOTE: BY REQUEST, DOOR HEIGHT COMES IN VARYING DIMENSIONS TO A MINIMUM OF 83". EXCESS WILL BE TAKEN FROM BOTTOM RAIL. ALL OTHER DIMENSIONS WILL REMAIN THE SAME.

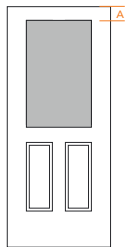
## CUTOUTS & GLASS



**TWIN LITE**  
HL2

3'0" Cutout 9" x 37"  
Glass 8" x 36"

**A = 5.0"**



**HALF LITE**  
HL4

3'0" Cutout 23" x 37"  
Glass 22" x 36"

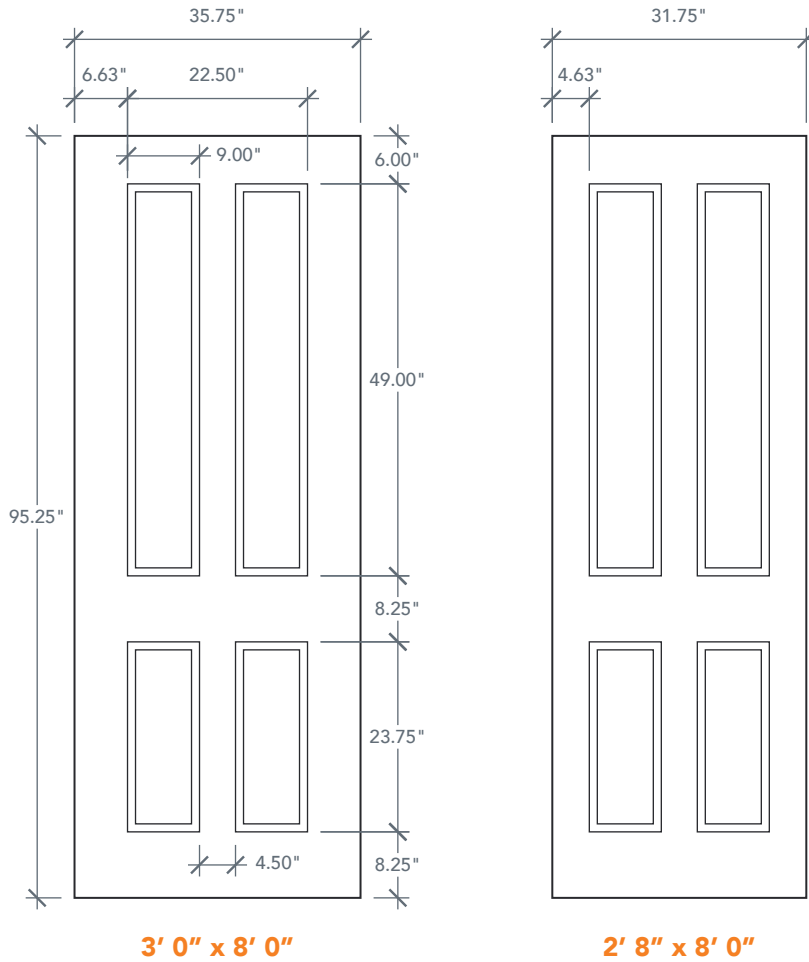
**A = 5.0"**

A = DISTANCE FROM TOP OF DOOR TO TOP OF OPENING

# 8'0" DRS4180 TRUE FOUR PANEL DOOR

## AVAILABLE SIZING

ARTWORK SCALE: 1/2"=1'



**3' 0" x 8' 0"**

**2' 8" x 8' 0"**

NOTE: BY REQUEST, DOOR HEIGHT COMES IN VARYING DIMENSIONS TO A MINIMUM OF 95". EXCESS WILL BE TAKEN FROM BOTTOM RAIL. ALL OTHER DIMENSIONS WILL REMAIN THE SAME.

## CUTOUTS & GLASS

	<table border="1"> <tr><th colspan="2">TWIN LITE</th></tr> <tr><td colspan="2">341</td></tr> <tr><td>2'8"</td><td>Cutout</td><td>9" x 49"</td></tr> <tr><td>3'0"</td><td>Glass</td><td>8" x 48"</td></tr> </table> <p style="background-color: #f4a460; padding: 2px; text-align: center;">A = 6.0"</p>	TWIN LITE		341		2'8"	Cutout	9" x 49"	3'0"	Glass	8" x 48"		<table border="1"> <tr><th colspan="2">HALF LITE</th></tr> <tr><td colspan="2">342</td></tr> <tr><td>2'8"</td><td>Cutout</td><td>23" x 49"</td></tr> <tr><td>3'0"</td><td>Glass</td><td>22" x 48"</td></tr> </table> <p style="background-color: #f4a460; padding: 2px; text-align: center;">A = 6.0"</p>	HALF LITE		342		2'8"	Cutout	23" x 49"	3'0"	Glass	22" x 48"		<table border="1"> <tr><th colspan="2">FULL LITE</th></tr> <tr><td colspan="2">FL8</td></tr> <tr><td>2'8"</td><td>Cutout</td><td>23" x 81"</td></tr> <tr><td>3'0"</td><td>Glass</td><td>22" x 80"</td></tr> </table> <p style="background-color: #f4a460; padding: 2px; text-align: center;">A = 6.0"</p>	FULL LITE		FL8		2'8"	Cutout	23" x 81"	3'0"	Glass	22" x 80"
TWIN LITE																																			
341																																			
2'8"	Cutout	9" x 49"																																	
3'0"	Glass	8" x 48"																																	
HALF LITE																																			
342																																			
2'8"	Cutout	23" x 49"																																	
3'0"	Glass	22" x 48"																																	
FULL LITE																																			
FL8																																			
2'8"	Cutout	23" x 81"																																	
3'0"	Glass	22" x 80"																																	

A = DISTANCE FROM TOP OF DOOR TO TOP OF OPENING

## MATCHING SIDELITES

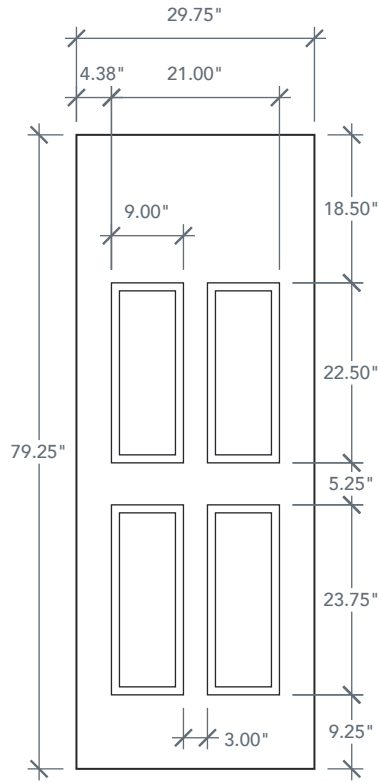
**SLS4180**  
**Available Widths:**  
 1' 0"  
 1' 2"

Spec Page = 155

# 6'8" DRS42 FOUR PANEL BLANK TOP DOOR

AVAILABLE SIZING

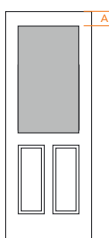
ARTWORK SCALE: 1/2"=1'



**2' 6" x 6' 8"**

NOTE: BY REQUEST, DOOR HEIGHT COMES IN VARYING DIMENSIONS TO A MINIMUM OF 79". EXCESS WILL BE TAKEN FROM BOTTOM RAIL. ALL OTHER DIMENSIONS WILL REMAIN THE SAME.

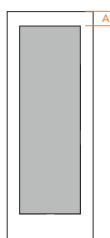
## CUTOUTS & GLASS



**HALF LITE**  
HL3

2'6" Cutout 21" x 37"  
Glass 20" x 36"

A = 5.0"



**FULL LITE**  
FL5

2'6" Cutout 21" x 65"  
Glass 20" x 64"

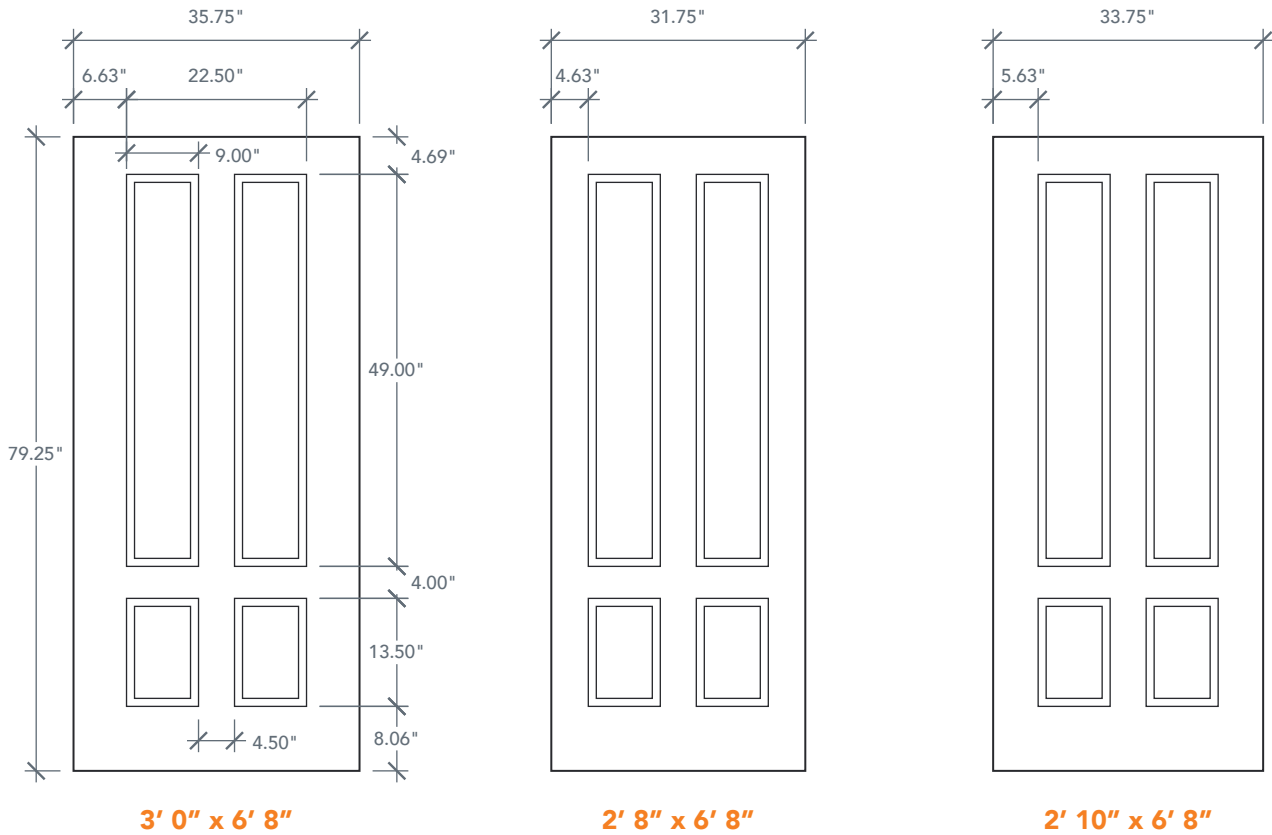
A = 5.0"

A = DISTANCE FROM TOP OF DOOR TO TOP OF OPENING

# 6'8" DRS49 3/4 FOUR PANEL DOOR

AVAILABLE SIZING

ARTWORK SCALE: 1/2"=1'



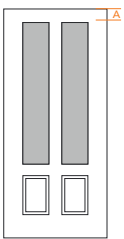
**3' 0" x 6' 8"**

**2' 8" x 6' 8"**

**2' 10" x 6' 8"**

NOTE: BY REQUEST, DOOR HEIGHT COMES IN VARYING DIMENSIONS TO A MINIMUM OF 79". EXCESS WILL BE TAKEN FROM BOTTOM RAIL. ALL OTHER DIMENSIONS WILL REMAIN THE SAME.

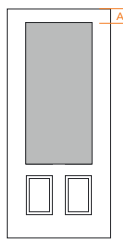
## CUTOUTS & GLASS



**TWIN LITE**  
341

2'8" Cutout 9" x 49"  
2'10" Glass 8" x 48"  
3'0"

A = 4.69"



**3/4 LITE**  
342

2'8" Cutout 23" x 49"  
2'10" Glass 22" x 48"  
3'0"

A = 4.69"

A = DISTANCE FROM TOP OF DOOR TO TOP OF OPENING

## MATCHING SIDELITES



SLS49

Available Widths:

1' 0"  
1' 2"

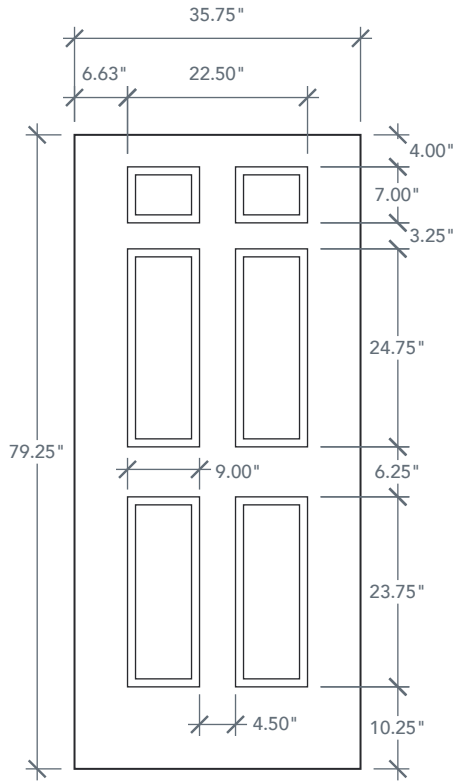
Spec Page = 164

# 6'8" DRS6B SIX PANEL DOOR

10" BOTTOM RAIL

## AVAILABLE SIZING

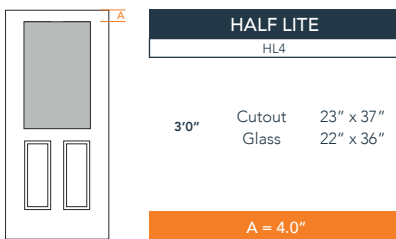
ARTWORK SCALE: 1/2"=1'



**3' 0" x 6' 8"**

NOTE: BY REQUEST, DOOR HEIGHT COMES IN VARYING DIMENSIONS TO A MINIMUM OF 79". EXCESS WILL BE TAKEN FROM BOTTOM RAIL. ALL OTHER DIMENSIONS WILL REMAIN THE SAME.

## CUTOUTS & GLASS

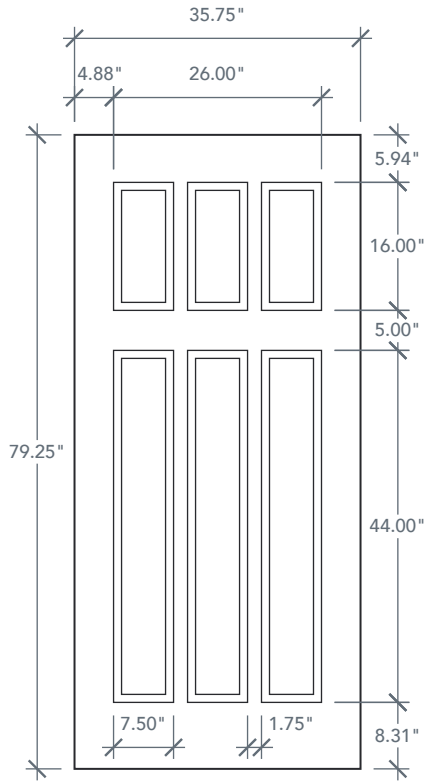


A = DISTANCE FROM TOP OF DOOR TO TOP OF OPENING

# 6'8" DRS6C SIX PANEL CRAFTSMAN DOOR

AVAILABLE SIZING

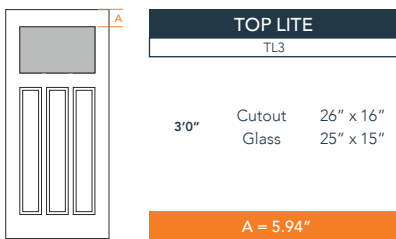
ARTWORK SCALE: 1/2"=1'



**3' 0" x 6' 8"**

NOTE: BY REQUEST, DOOR HEIGHT COMES IN VARYING DIMENSIONS TO A MINIMUM OF 79". EXCESS WILL BE TAKEN FROM BOTTOM RAIL. ALL OTHER DIMENSIONS WILL REMAIN THE SAME.

## CUTOUTS & GLASS

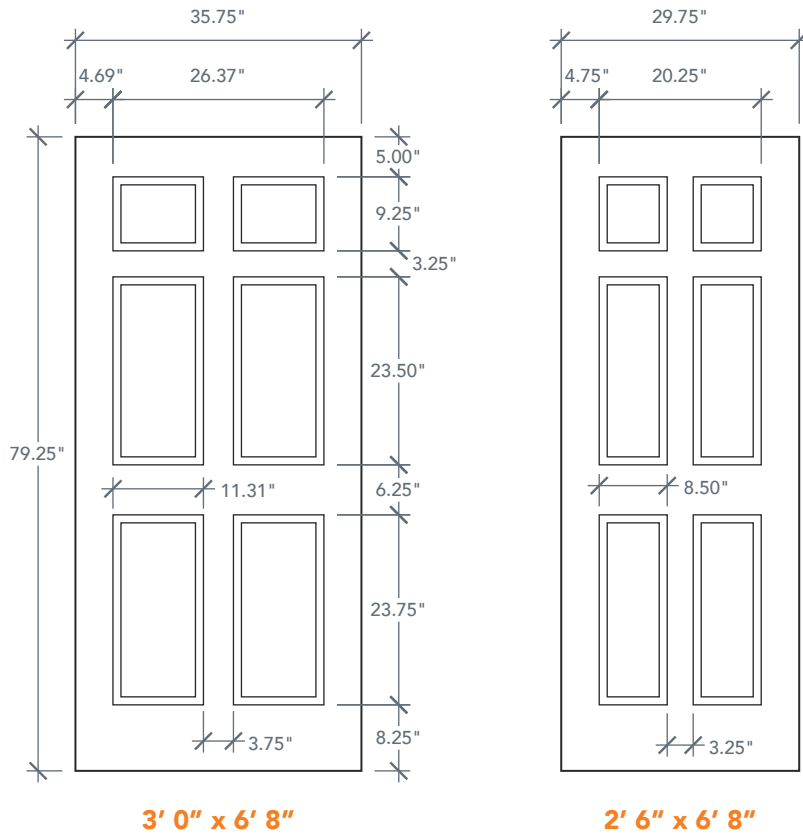


A = DISTANCE FROM TOP OF DOOR TO TOP OF OPENING

# 6'8" DRS60 SIX PANEL DOOR

AVAILABLE SIZING

ARTWORK SCALE: 1/2"=1'



NOTE: BY REQUEST, DOOR HEIGHT COMES IN VARYING DIMENSIONS TO A MINIMUM OF 79". EXCESS WILL BE TAKEN FROM BOTTOM RAIL. ALL OTHER DIMENSIONS WILL REMAIN THE SAME.

## CUTOUTS & GLASS

TOP LITE			
		TL5	
2'6"	Cutout	21" x 9 1/4"	
	Glass	20" x 8 1/4"	
		TL1	
3'0"	Cutout	26 1/2" x 9 1/4"	
	Glass	25 1/2" x 8 1/4"	
A = 5.0"			

A = DISTANCE FROM TOP OF DOOR TO TOP OF OPENING

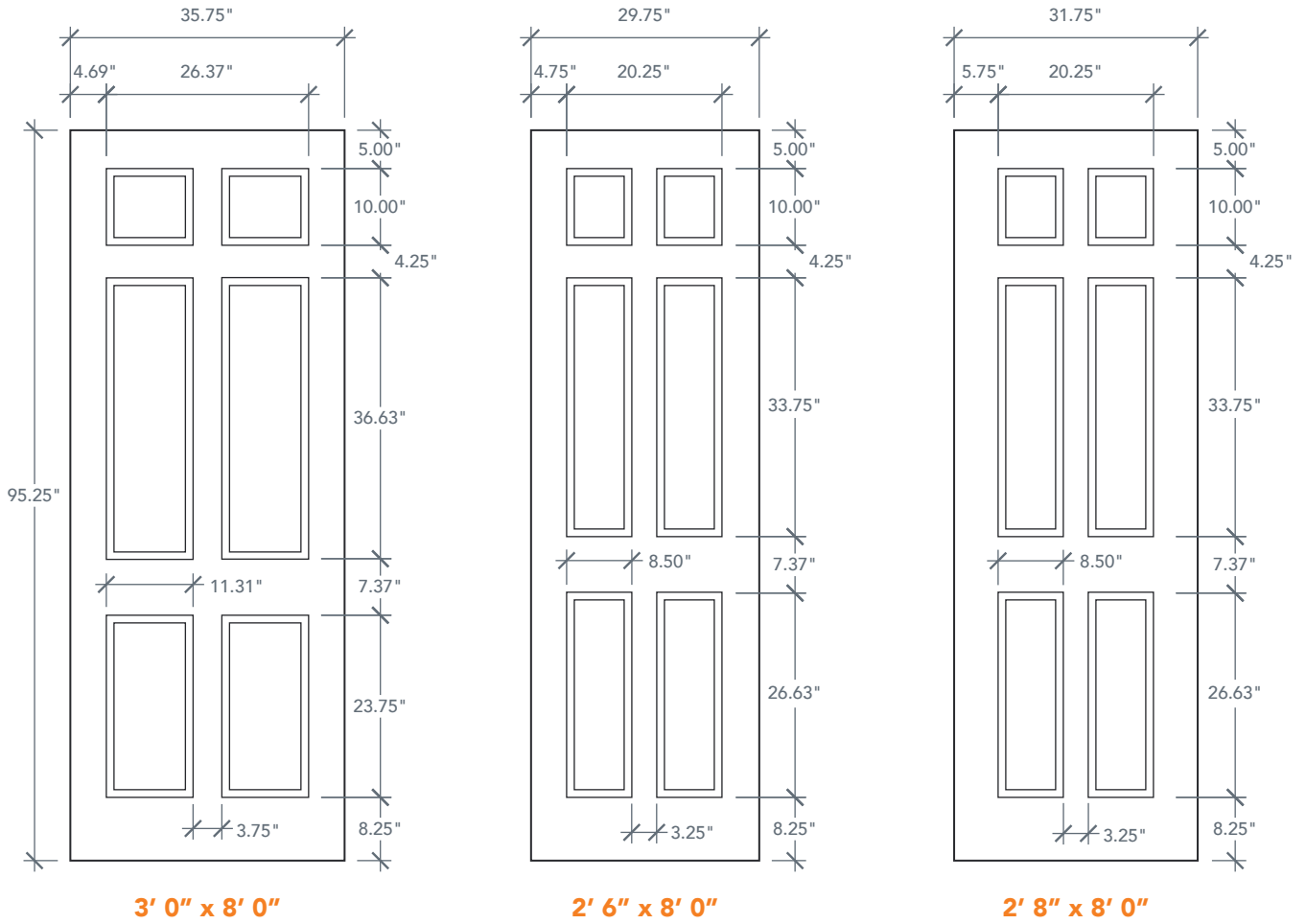
## MATCHING SIDELITES

	SLS60
	Available Widths:
	1' 0"
	1' 2"
Spec Page = 157	

# 8'0" DRS6080 SIX PANEL DOOR

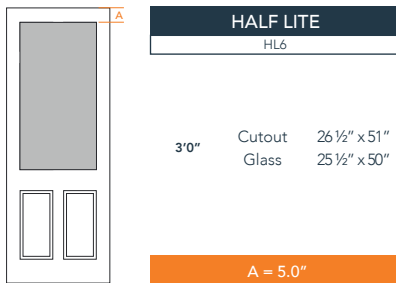
## AVAILABLE SIZING

ARTWORK SCALE: 1/2"=1'



NOTE: BY REQUEST, DOOR HEIGHT COMES IN VARYING DIMENSIONS TO A MINIMUM OF 95". EXCESS WILL BE TAKEN FROM BOTTOM RAIL. ALL OTHER DIMENSIONS WILL REMAIN THE SAME.

## CUTOUTS & GLASS



A = DISTANCE FROM TOP OF DOOR TO TOP OF OPENING

## MATCHING SIDELITES

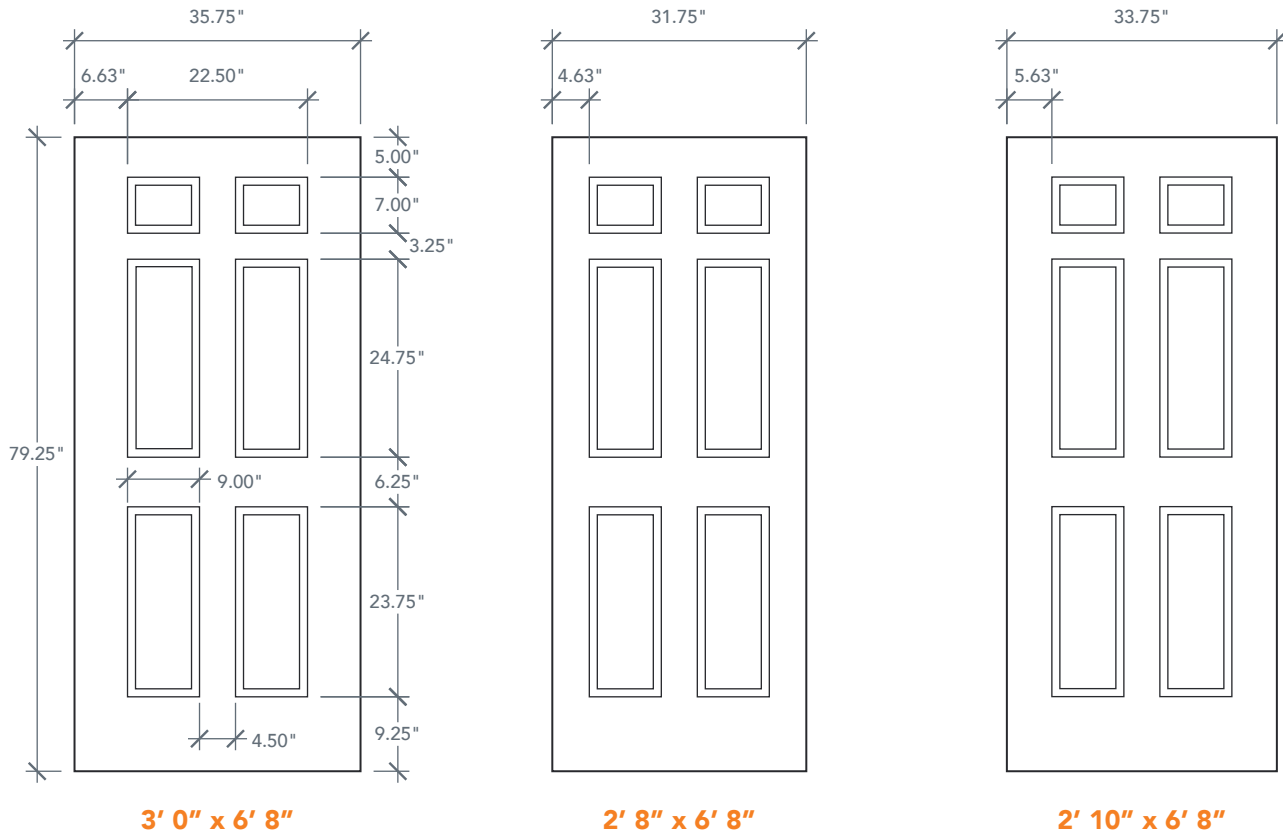




# 6'8" DRS61 SIX PANEL UTILITY DOOR

AVAILABLE SIZING

ARTWORK SCALE: 1/2"=1'



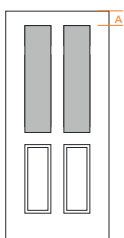
**3' 0" x 6' 8"**

**2' 8" x 6' 8"**

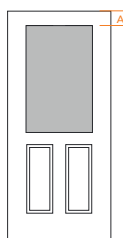
**2' 10" x 6' 8"**

NOTE: BY REQUEST, DOOR HEIGHT COMES IN VARYING DIMENSIONS TO A MINIMUM OF 79". EXCESS WILL BE TAKEN FROM BOTTOM RAIL. ALL OTHER DIMENSIONS WILL REMAIN THE SAME.

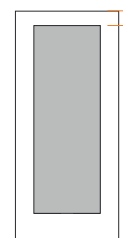
## CUTOUTS & GLASS



TWIN LITE HL2		
2'8"	Cutout	9" x 37"
2'10"		8" x 36"
3'0"	Glass	
A = 5.0"		



HALF LITE HL4		
2'8"	Cutout	23" x 37"
2'10"		22" x 36"
3'0"	Glass	
A = 5.0"		



FULL LITE FL7		
2'8"	Cutout	23" x 65"
2'10"		22" x 64"
3'0"	Glass	
A = 5.0"		

A = DISTANCE FROM TOP OF DOOR TO TOP OF OPENING

## MATCHING SIDELITES



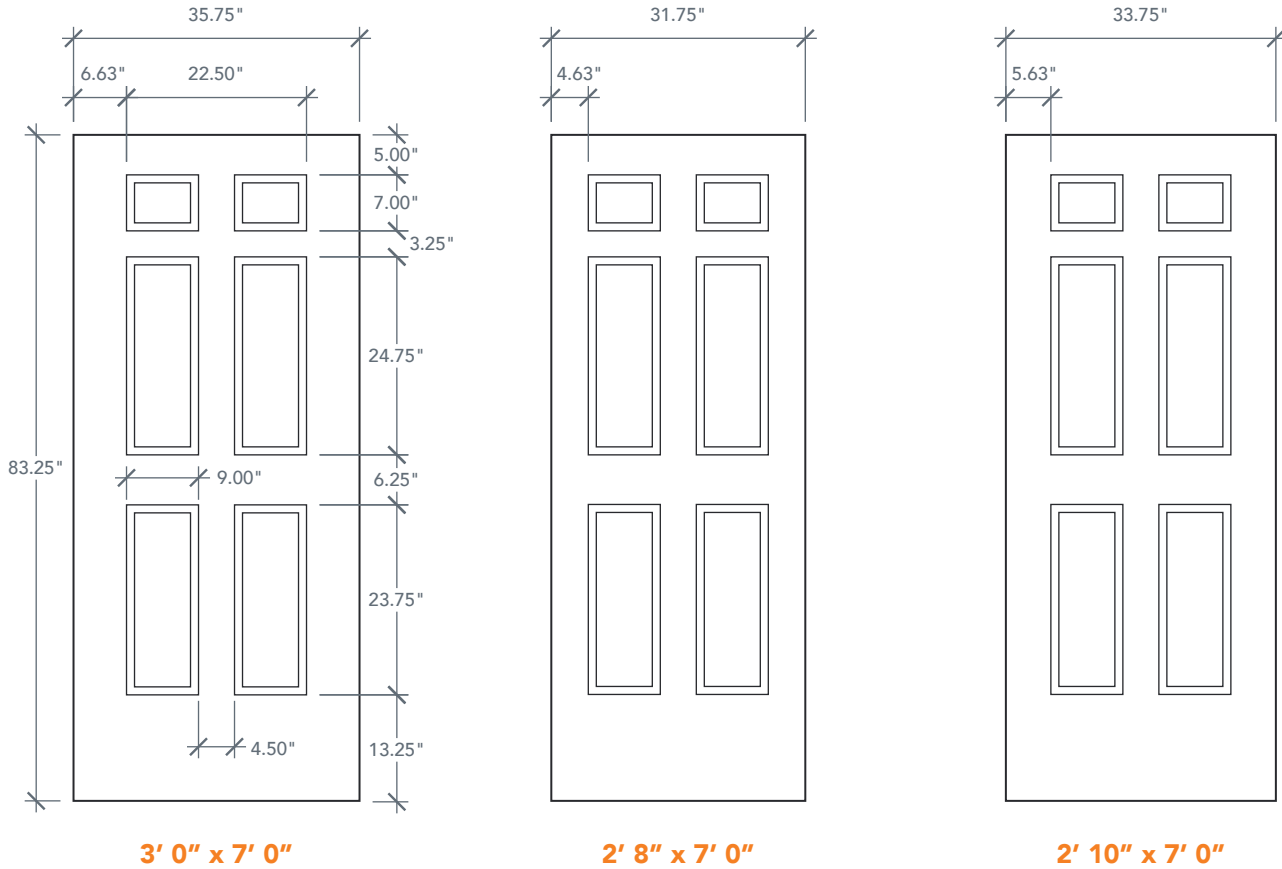
SLS61  
Available Widths:  
1' 0"  
1' 2"

Spec Page = 158

# 7'0" DRS6170 SIX PANEL UTILITY DOOR

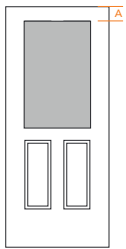
AVAILABLE SIZING

ARTWORK SCALE: 1/2"=1'



NOTE: BY REQUEST, DOOR HEIGHT COMES IN VARYING DIMENSIONS TO A MINIMUM OF 83". EXCESS WILL BE TAKEN FROM BOTTOM RAIL. ALL OTHER DIMENSIONS WILL REMAIN THE SAME.

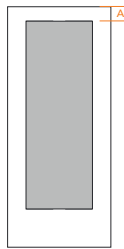
## CUTOUTS & GLASS



**HALF LITE**  
HL4

2'8" Cutout 23" x 37"  
2'10" Glass 22" x 36"  
3'0"

A = 5.0"



**FULL LITE**  
FL7

2'8" Cutout 23" x 65"  
2'10" Glass 22" x 64"  
3'0"

A = 5.0"

A = DISTANCE FROM TOP OF DOOR TO TOP OF OPENING

## MATCHING SIDELITES



SLS6170

Available Widths:

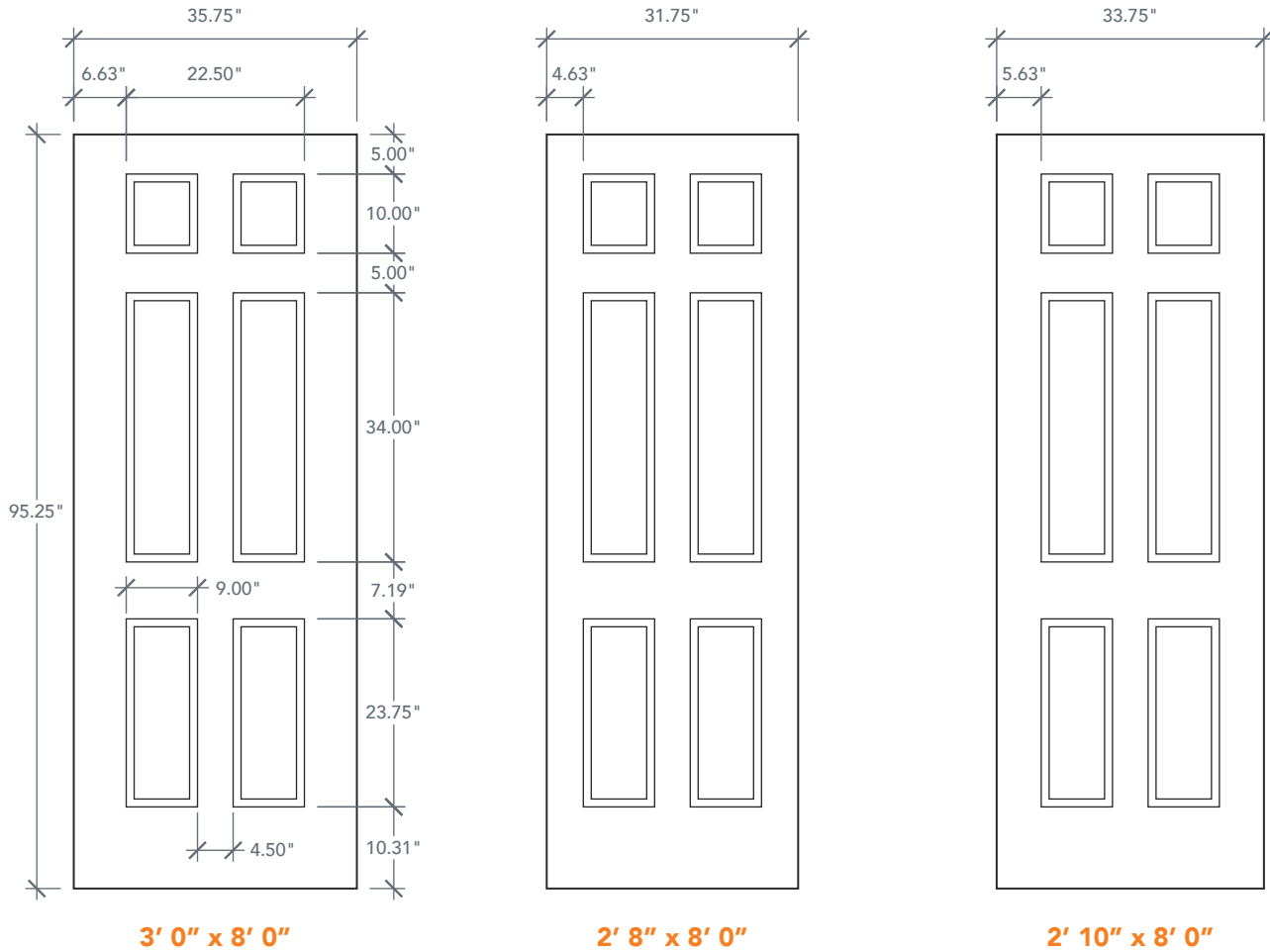
1' 0"  
1' 2"

Spec Page = 159

# 8'0" DRS6180 SIX PANEL UTILITY DOOR

## AVAILABLE SIZING

ARTWORK SCALE: 1/2"=1'



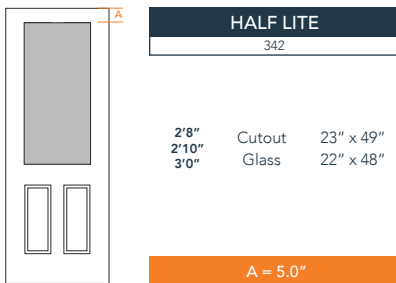
3' 0" x 8' 0"

2' 8" x 8' 0"

2' 10" x 8' 0"

NOTE: BY REQUEST, DOOR HEIGHT COMES IN VARYING DIMENSIONS TO A MINIMUM OF 95". EXCESS WILL BE TAKEN FROM BOTTOM RAIL. ALL OTHER DIMENSIONS WILL REMAIN THE SAME.

## CUTOUTS & GLASS

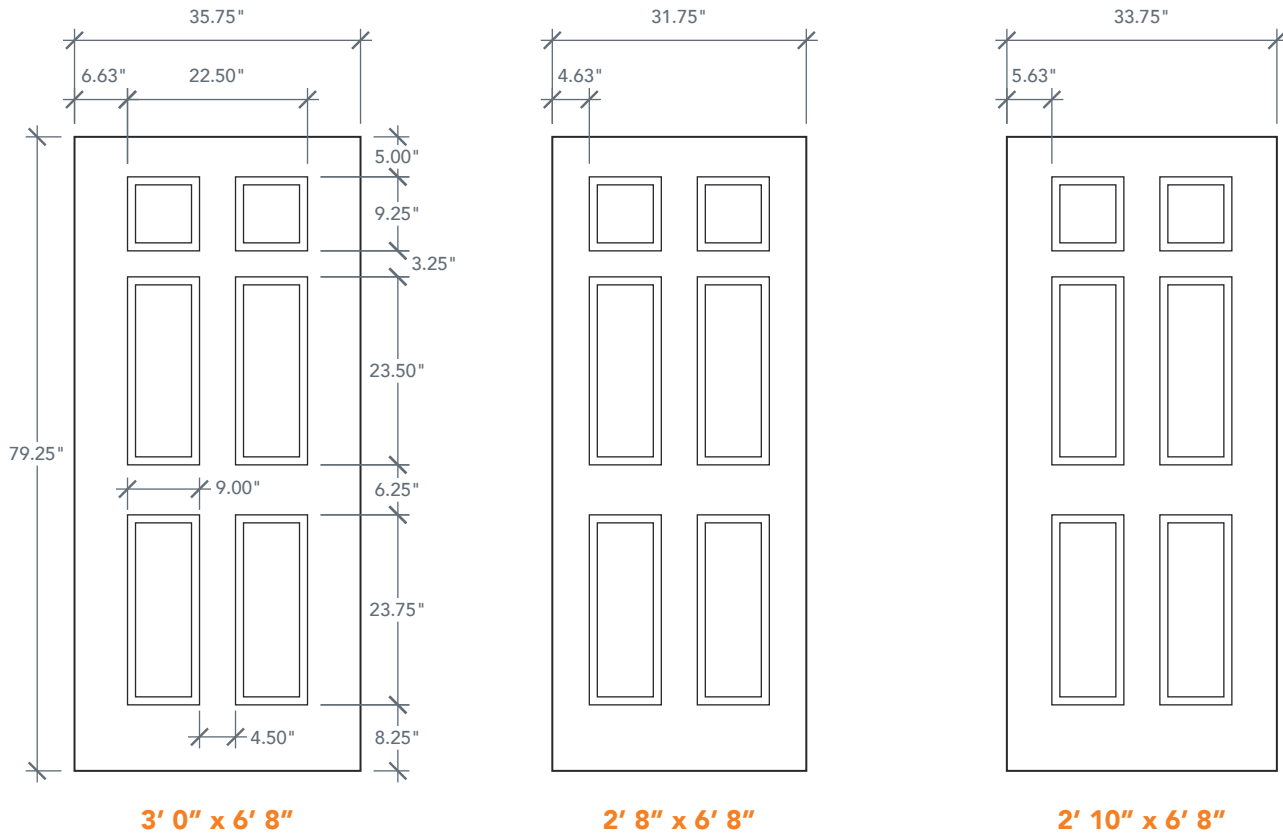


A = DISTANCE FROM TOP OF DOOR TO TOP OF OPENING

# 6'8" DRS63 TRUE SIX PANEL NARROW DOOR

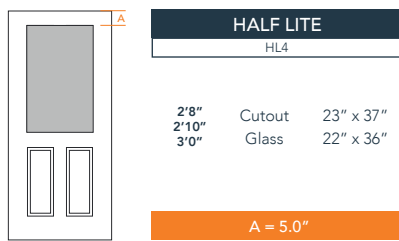
AVAILABLE SIZING

ARTWORK SCALE: 1/2"=1'



NOTE: BY REQUEST, DOOR HEIGHT COMES IN VARYING DIMENSIONS TO A MINIMUM OF 79". EXCESS WILL BE TAKEN FROM BOTTOM RAIL. ALL OTHER DIMENSIONS WILL REMAIN THE SAME.

## CUTOUTS & GLASS



A = DISTANCE FROM TOP OF DOOR TO TOP OF OPENING

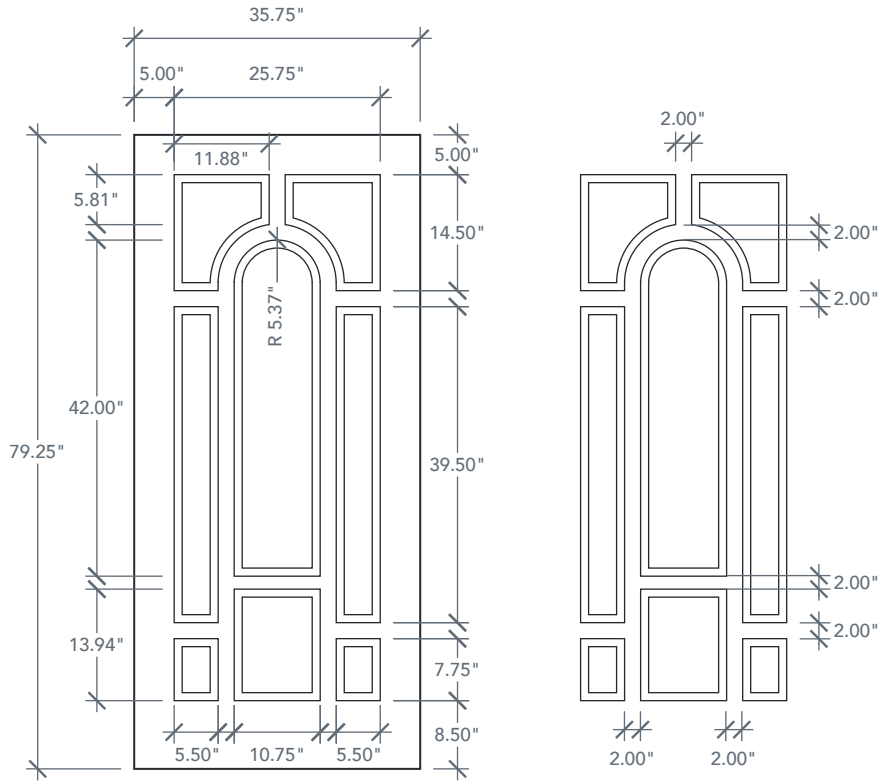
## MATCHING SIDELITES



# 6'8" DRS80 EIGHT PANEL DOOR

AVAILABLE SIZING

ARTWORK SCALE: 1/2"=1'

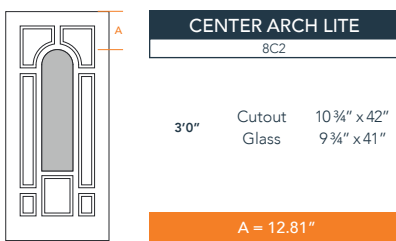


**3' 0" x 6' 8"**

**Panel Spacing Detail**

NOTE: BY REQUEST, DOOR HEIGHT COMES IN VARYING DIMENSIONS TO A MINIMUM OF 79". EXCESS WILL BE TAKEN FROM BOTTOM RAIL. ALL OTHER DIMENSIONS WILL REMAIN THE SAME.

## CUTOUTS & GLASS



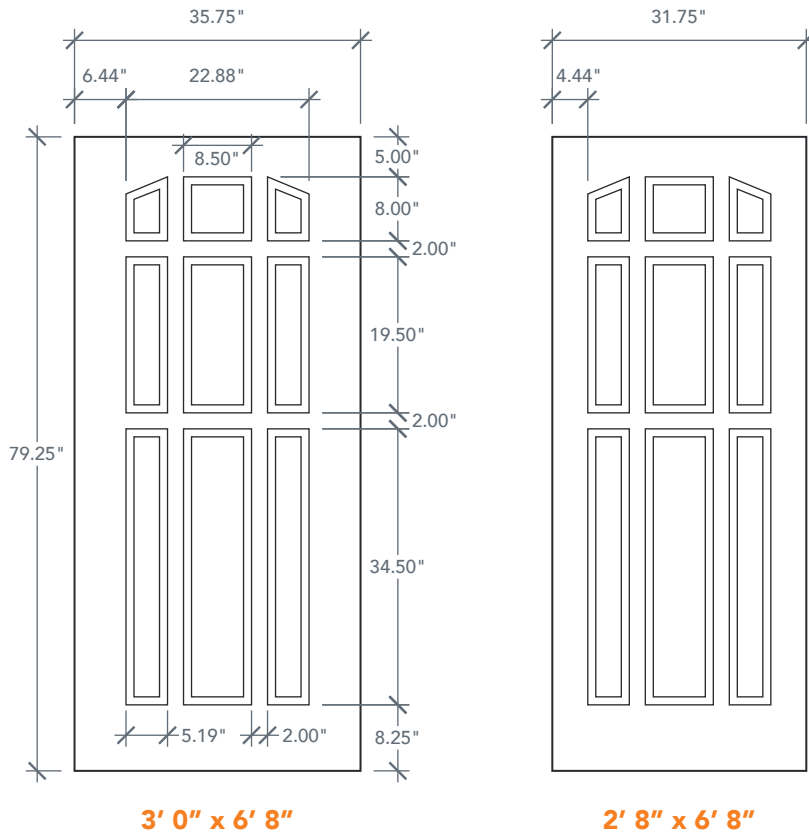
A = DISTANCE FROM TOP OF DOOR TO TOP OF OPENING

## MATCHING SIDELITES



# 6'8" DRS90 NINE PANEL DOOR

## AVAILABLE SIZING

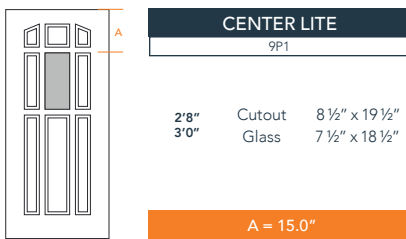


**3' 0" x 6' 8"**

**2' 8" x 6' 8"**

NOTE: BY REQUEST, DOOR HEIGHT COMES IN VARYING DIMENSIONS TO A MINIMUM OF 79". EXCESS WILL BE TAKEN FROM BOTTOM RAIL. ALL OTHER DIMENSIONS WILL REMAIN THE SAME.

## CUTOUTS & GLASS

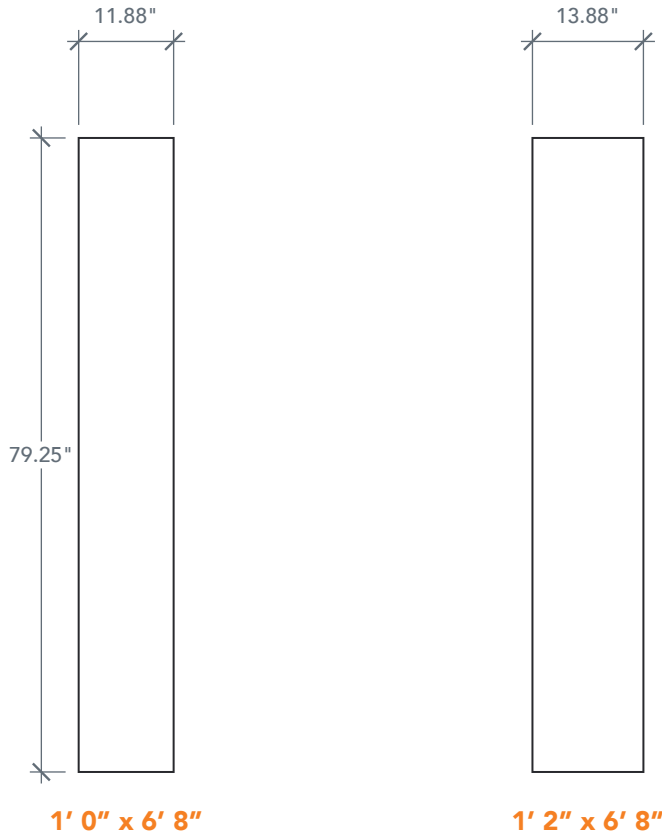


A = DISTANCE FROM TOP OF DOOR TO TOP OF OPENING

# 6'8" SLS00 FLUSH SIDELITE

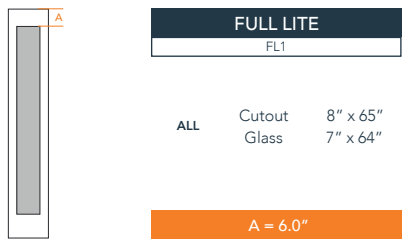
AVAILABLE SIZING

ARTWORK SCALE: 1/2"=1'



NOTE: BY REQUEST, SIDELITE HEIGHT COMES IN VARYING DIMENSIONS TO A MINIMUM OF 79". EXCESS WILL BE TAKEN FROM BOTTOM RAIL. ALL OTHER DIMENSIONS WILL REMAIN THE SAME.

## CUTOUTS & GLASS



A = DISTANCE FROM TOP OF DOOR TO TOP OF OPENING

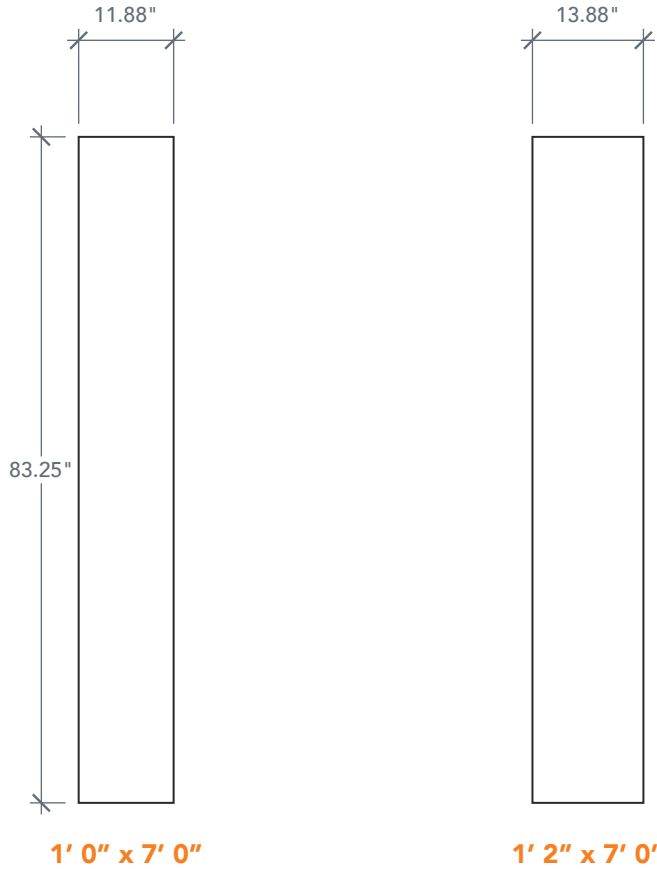
## MATCHING DOORS



# 7'0" SLS0070 FLUSH SIDELITE

AVAILABLE SIZING

ARTWORK SCALE: 1/2"=1'



NOTE: BY REQUEST, SIDELITE HEIGHT COMES IN VARYING DIMENSIONS TO A MINIMUM OF 83". EXCESS WILL BE TAKEN FROM BOTTOM RAIL. ALL OTHER DIMENSIONS WILL REMAIN THE SAME.

## CUTOUTS & GLASS



A = DISTANCE FROM TOP OF DOOR TO TOP OF OPENING

## MATCHING DOORS

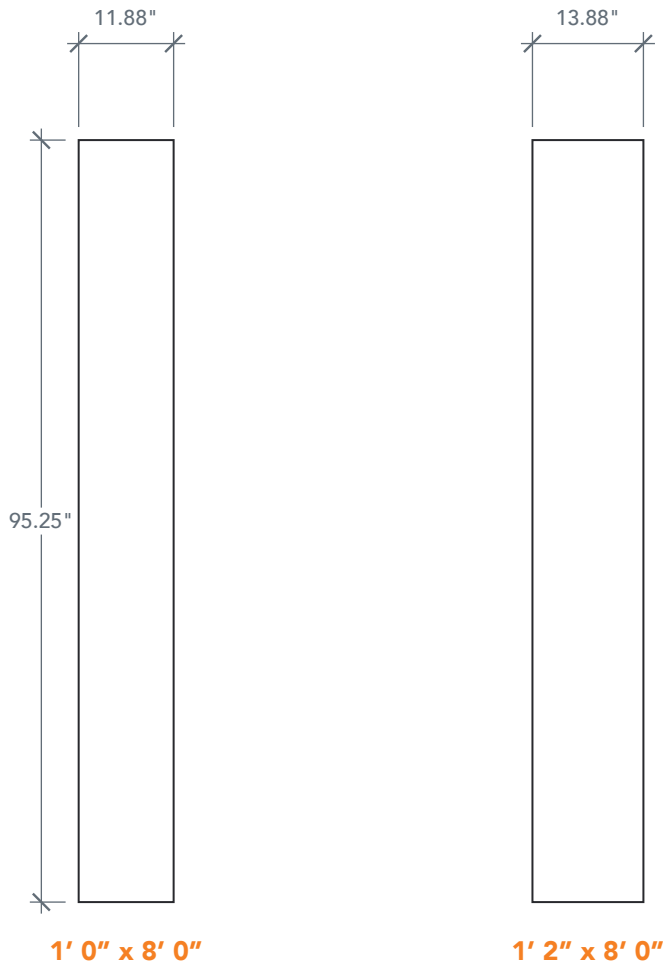




# 8'0" SLS0080 FLUSH SIDELITE

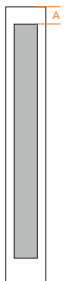
## AVAILABLE SIZING

ARTWORK SCALE: 1/2"=1'



NOTE: BY REQUEST, SIDELITE HEIGHT COMES IN VARYING DIMENSIONS TO A MINIMUM OF 95". EXCESS WILL BE TAKEN FROM BOTTOM RAIL. ALL OTHER DIMENSIONS WILL REMAIN THE SAME.

## CUTOUTS & GLASS



FULL LITE	
FL2	

0.7825 in	Cutout	9" x 81"
	Glass	8" x 80"

A = 6.0"

A = DISTANCE FROM TOP OF DOOR TO TOP OF OPENING

## MATCHING DOORS



DRS0080

Available Widths:

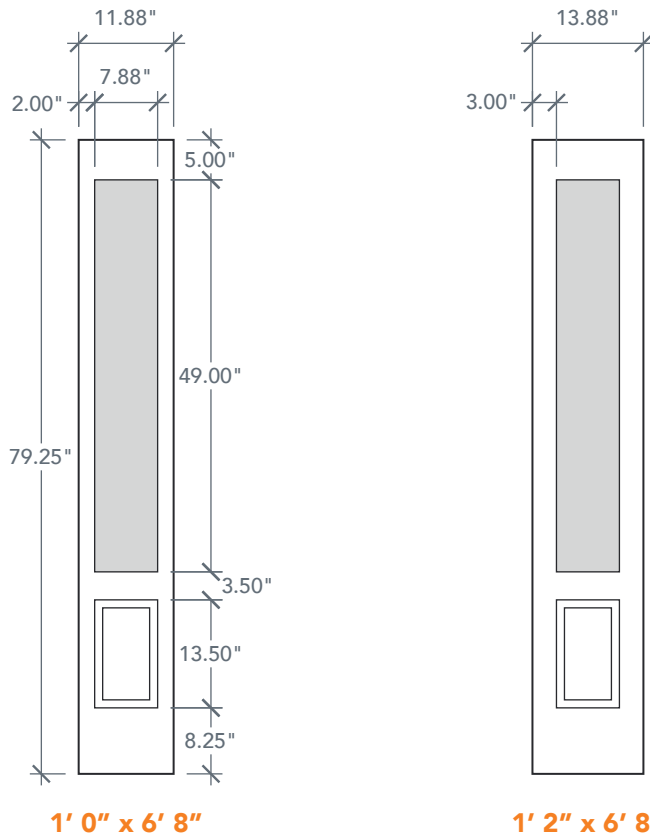
2' 0"	2' 10"
2' 4"	3' 0"
2' 6"	3' 6"
2' 8"	

Spec Page = 117

# 6'8" SLS3E 3/4 ELITE SIDELITE

AVAILABLE SIZING

ARTWORK SCALE: 1/2"=1'

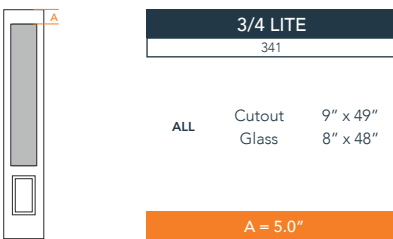


1' 0" x 6' 8"

1' 2" x 6' 8"

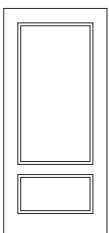
NOTE: BY REQUEST, SIDELITE HEIGHT COMES IN VARYING DIMENSIONS TO A MINIMUM OF 79". EXCESS WILL BE TAKEN FROM BOTTOM RAIL. ALL OTHER DIMENSIONS WILL REMAIN THE SAME.

## CUTOUTS & GLASS



A = DISTANCE FROM TOP OF DOOR TO TOP OF OPENING

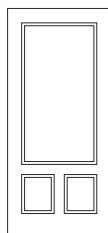
## MATCHING DOORS



DRS20

Available Widths:  
3' 0"

Spec Page = 123



DRS3E

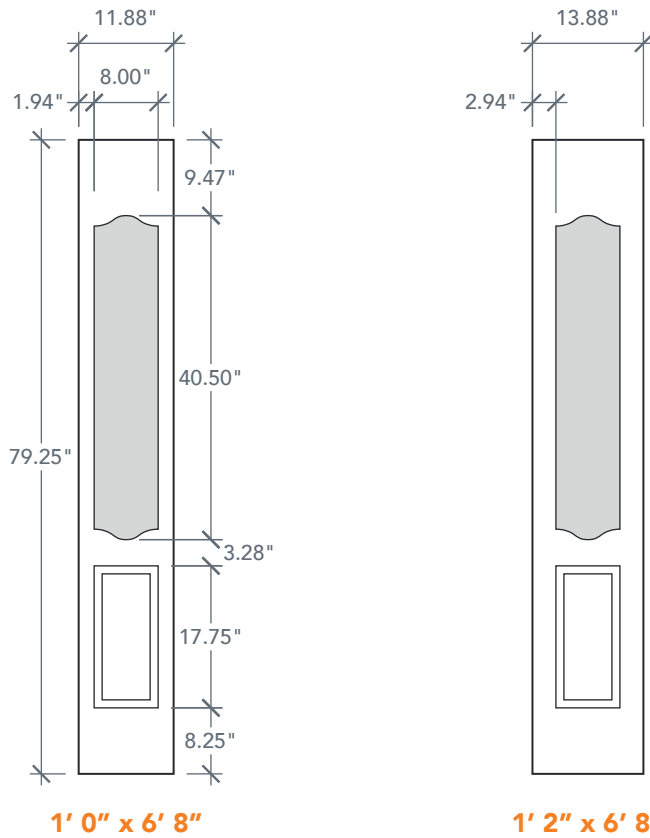
Available Widths:  
3' 0"

Spec Page = 129

# 6'8" SLS3P 3/4 PREMIUM SIDELITE

AVAILABLE SIZING

ARTWORK SCALE: 1/2"=1'

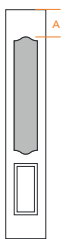


1' 0" x 6' 8"

1' 2" x 6' 8"

NOTE: BY REQUEST, SIDELITE HEIGHT COMES IN VARYING DIMENSIONS TO A MINIMUM OF 79". EXCESS WILL BE TAKEN FROM BOTTOM RAIL. ALL OTHER DIMENSIONS WILL REMAIN THE SAME.

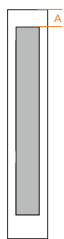
## CUTOUTS & GLASS



**3/4 OVAL LITE**  
3V1

ALL Cutout 8" x 40½"  
Glass 7" x 39½"

A = 9.47"



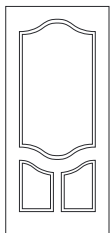
**FULL LITE**  
FL1

ALL Cutout 8" x 65"  
Glass 7" x 64"

A = 6.0"

A = DISTANCE FROM TOP OF DOOR TO TOP OF OPENING

## MATCHING DOORS



DRS3P

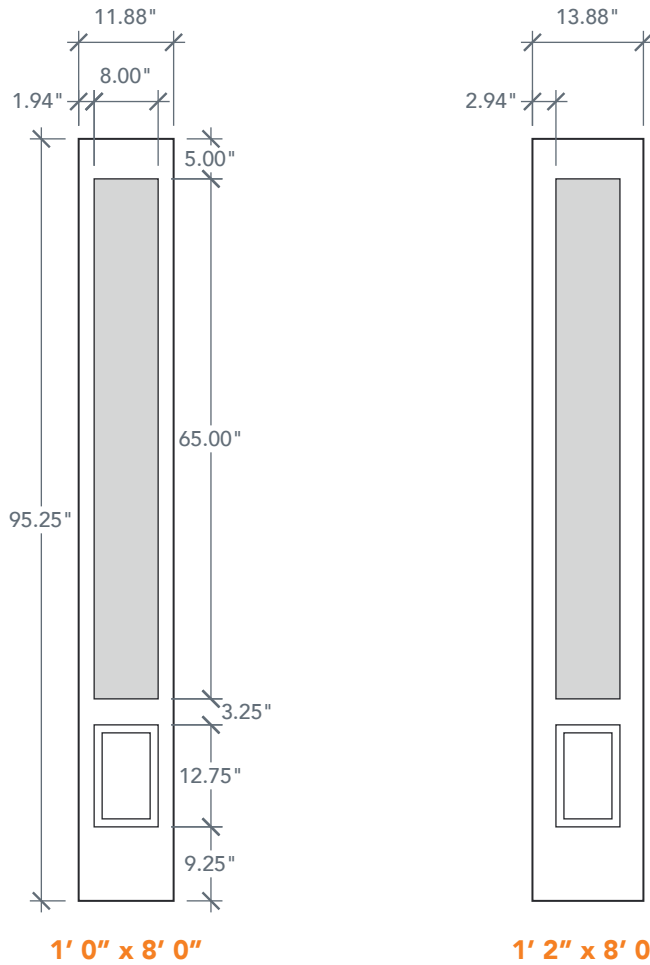
Available Widths:  
3' 0"

Spec Page = 130

# 8'0" SLS3080 3/4 THREE PANEL SIDELITE

## AVAILABLE SIZING

ARTWORK SCALE: 1/2"=1'

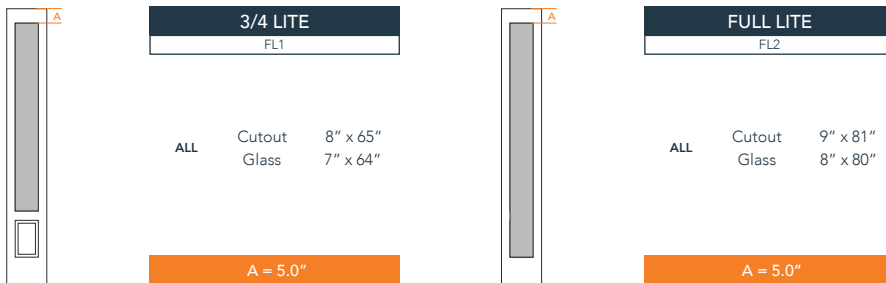


1' 0" x 8' 0"

1' 2" x 8' 0"

NOTE: BY REQUEST, SIDELITE HEIGHT COMES IN VARYING DIMENSIONS TO A MINIMUM OF 95". EXCESS WILL BE TAKEN FROM BOTTOM RAIL. ALL OTHER DIMENSIONS WILL REMAIN THE SAME.

## CUTOUTS & GLASS



A = DISTANCE FROM TOP OF DOOR TO TOP OF OPENING

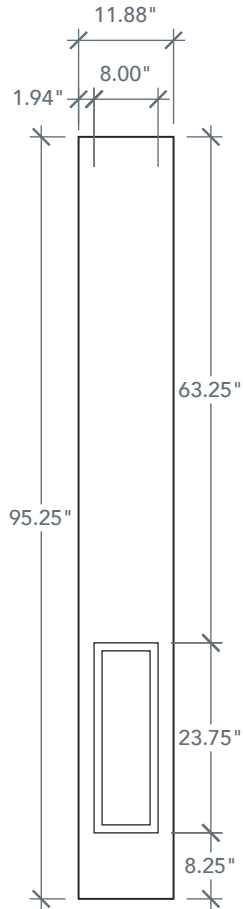
## MATCHING DOORS



# 8'0" SLS4180 FOUR PANEL SIDELITE

## AVAILABLE SIZING

ARTWORK SCALE: 1/2"=1'



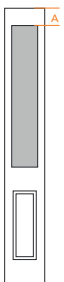
1' 0" x 8' 0"



1' 2" x 8' 0"

NOTE: BY REQUEST, SIDELITE HEIGHT COMES IN VARYING DIMENSIONS TO A MINIMUM OF 95". EXCESS WILL BE TAKEN FROM BOTTOM RAIL. ALL OTHER DIMENSIONS WILL REMAIN THE SAME.

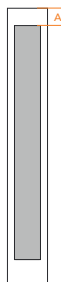
## CUTOUTS & GLASS



**HALF LITE**  
341

ALL Cutout 9" x 49"  
Glass 8" x 48"

A = 6.0"



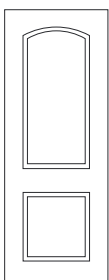
**FULL LITE**  
FL2

ALL Cutout 9" x 81"  
Glass 8" x 80"

A = 6.0"

A = DISTANCE FROM TOP OF DOOR TO TOP OF OPENING

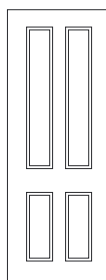
## MATCHING DOORS



DRS2D80

Available Widths:  
2' 8"  
2' 10"  
3' 0"

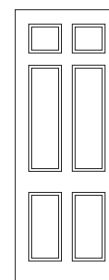
Spec Page = 120



DRS4180

Available Widths:  
2' 8"  
2' 10"  
3' 0"

Spec Page = 136



DRS6080

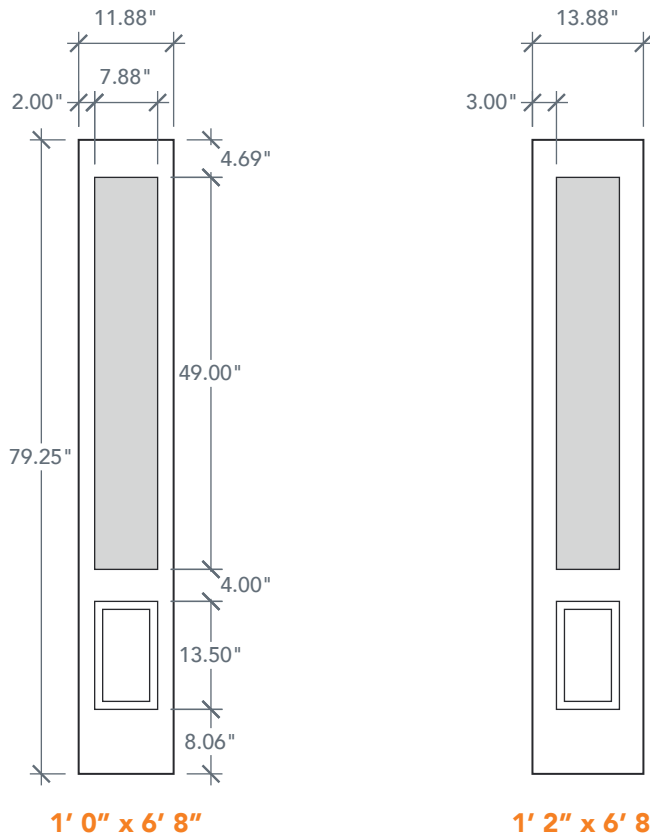
Available Widths:  
2' 6"  
2' 8"  
3' 0"

Spec Page = 142

# 6'8" SLS49 3/4 FOUR PANEL SIDELITE

AVAILABLE SIZING

ARTWORK SCALE: 1/2"=1'

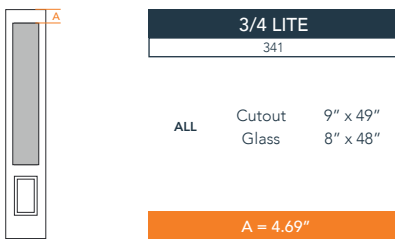


1' 0" x 6' 8"

1' 2" x 6' 8"

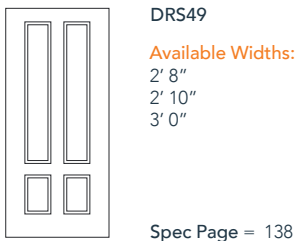
NOTE: BY REQUEST, SIDELITE HEIGHT COMES IN VARYING DIMENSIONS TO A MINIMUM OF 79". EXCESS WILL BE TAKEN FROM BOTTOM RAIL. ALL OTHER DIMENSIONS WILL REMAIN THE SAME.

## CUTOUTS & GLASS



A = DISTANCE FROM TOP OF DOOR TO TOP OF OPENING

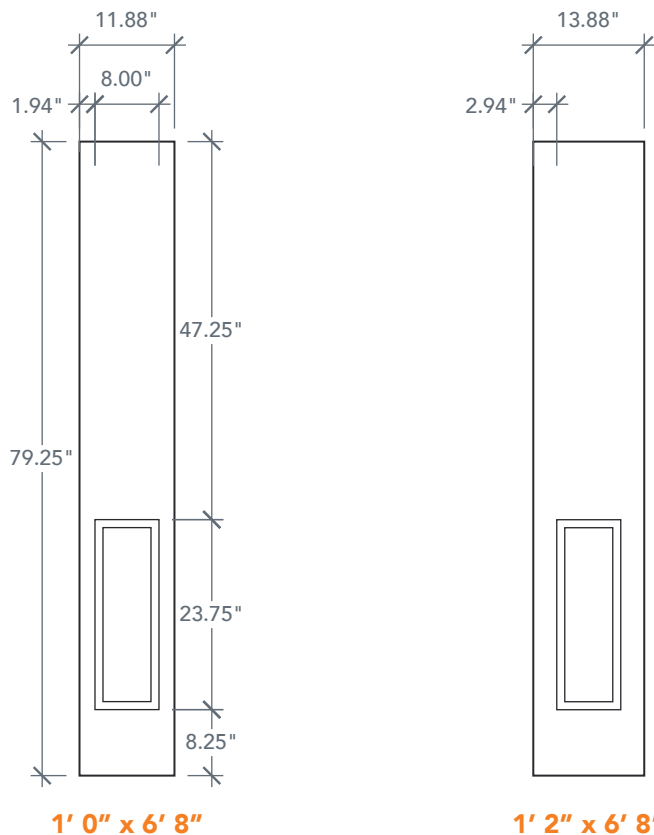
## MATCHING DOORS



# 6'8" SLS60 SIX PANEL SIDELITE

AVAILABLE SIZING

ARTWORK SCALE: 1/2"=1'

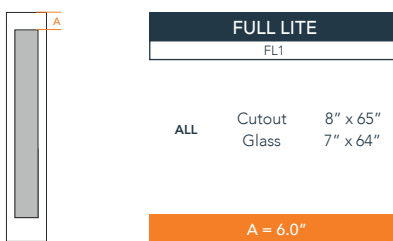
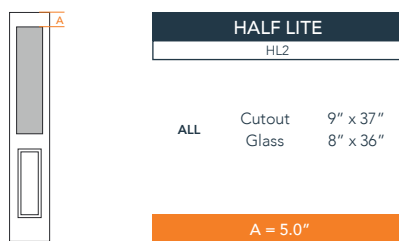


1' 0" x 6' 8"

1' 2" x 6' 8"

NOTE: BY REQUEST, SIDELITE HEIGHT COMES IN VARYING DIMENSIONS TO A MINIMUM OF 79". EXCESS WILL BE TAKEN FROM BOTTOM RAIL. ALL OTHER DIMENSIONS WILL REMAIN THE SAME.

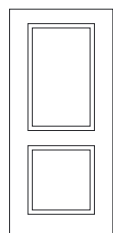
## CUTOUTS & GLASS



A = DISTANCE FROM TOP OF DOOR TO TOP OF OPENING

## MATCHING DOORS

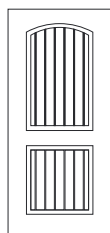
DRS2B/DRS2D



Available Widths:  
2' 8"  
2' 10"  
3' 0"

DRS2B  
Spec Page = 118  
DRS2D  
Spec Page = 119

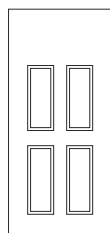
DRS2G



Available Widths:  
2' 8"  
2' 10"  
3' 0"

Spec Page = 121

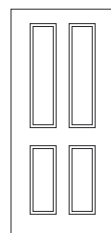
DRS40



Available Widths:  
2' 6"  
2' 8"  
2' 10"  
3' 0"

Spec Page = 133

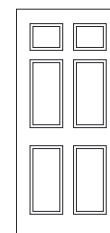
DRS41



Available Widths:  
2' 8"  
2' 10"  
3' 0"

Spec Page = 134

DRS60/DRS63



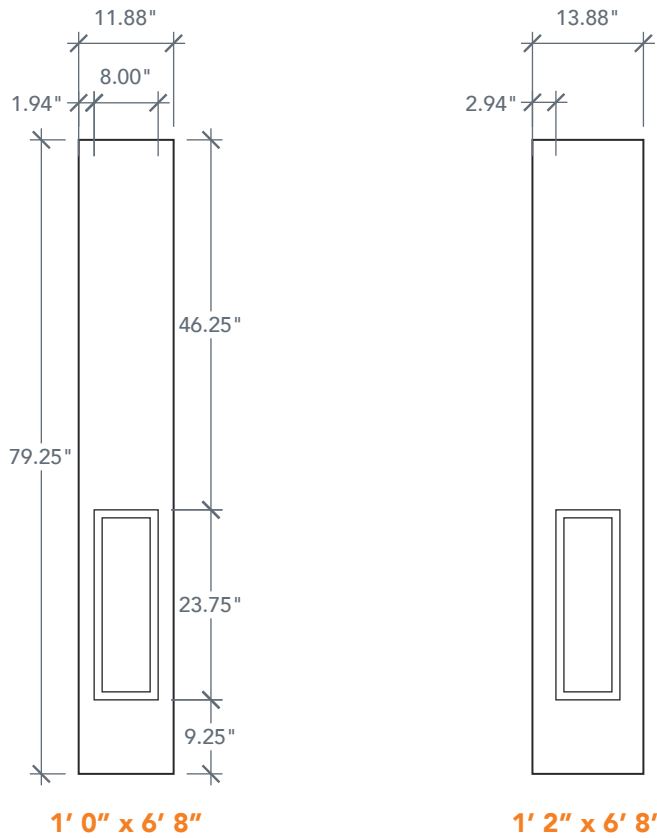
Available Widths:  
2' 6"  
3' 0"

DRS60  
Spec Page = 141  
DRS63  
Spec Page = 146

# 6'8" SLS61 SIX PANEL UTILITY SIDELITE

AVAILABLE SIZING

ARTWORK SCALE: 1/2"=1'



NOTE: BY REQUEST, SIDELITE HEIGHT COMES IN VARYING DIMENSIONS TO A MINIMUM OF 79". EXCESS WILL BE TAKEN FROM BOTTOM RAIL. ALL OTHER DIMENSIONS WILL REMAIN THE SAME.

## CUTOUTS & GLASS

HALF LITE	
HL2	
ALL	Cutout 9" x 37"
	Glass 8" x 36"

A = 5.0"

FULL LITE	
FL1	
ALL	Cutout 8" x 65"
	Glass 7" x 64"

A = 5.0"

A = DISTANCE FROM TOP OF DOOR TO TOP OF OPENING

## MATCHING DOORS

**DRS61**

Available Widths:  
2' 8"  
2' 10"  
3' 0"

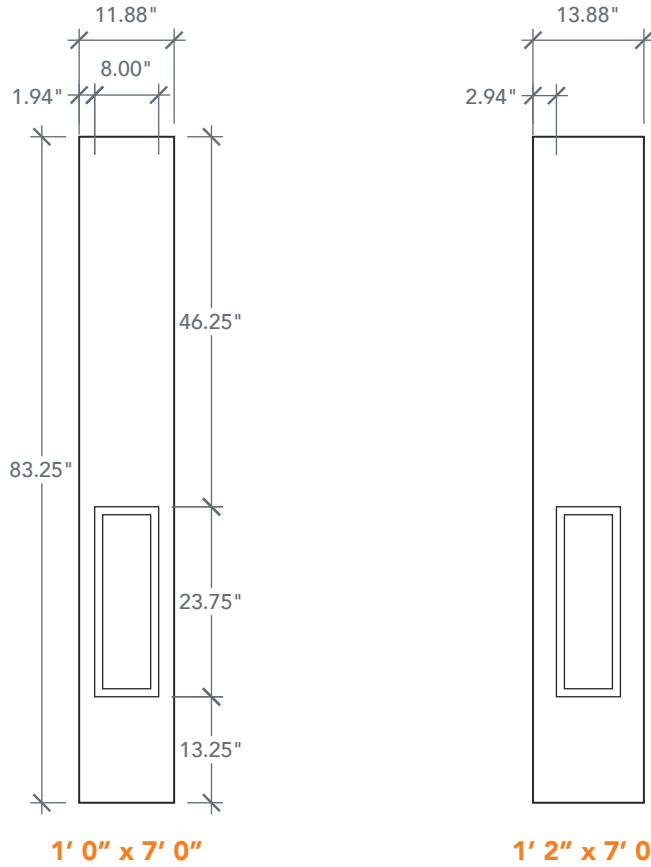
Spec Page = 143



# 7'0" SLS6170 SIX PANEL UTILITY SIDELITE

AVAILABLE SIZING

ARTWORK SCALE: 1/2"=1'

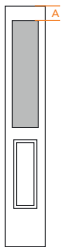


1' 0" x 7' 0"

1' 2" x 7' 0"

NOTE: BY REQUEST, SIDELITE HEIGHT COMES IN VARYING DIMENSIONS TO A MINIMUM OF 83". EXCESS WILL BE TAKEN FROM BOTTOM RAIL. ALL OTHER DIMENSIONS WILL REMAIN THE SAME.

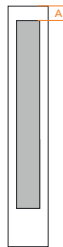
## CUTOUTS & GLASS



HALF LITE	
HL2	

ALL	Cutout	9" x 37"
	Glass	8" x 36"

A = 5.0"



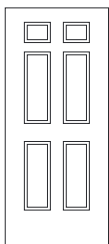
FULL LITE	
FL1	

ALL	Cutout	8" x 65"
	Glass	7" x 64"

A = 5.0"

A = DISTANCE FROM TOP OF DOOR TO TOP OF OPENING

## MATCHING DOORS



DRS6170

Available Widths:

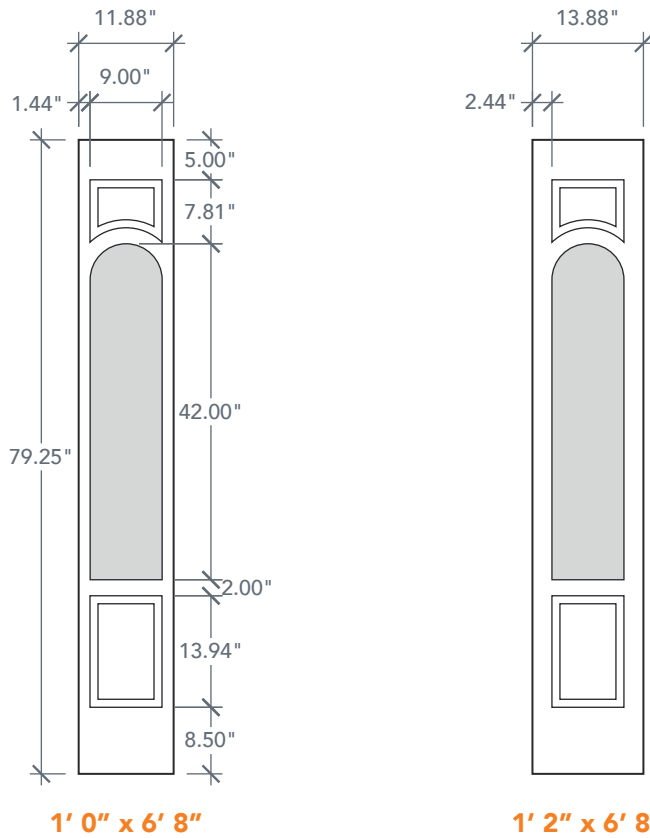
- 2' 8"
- 2' 10"
- 3' 0"

Spec Page = 144

# 6'8" SLS80 EIGHT PANEL SIDELITE

AVAILABLE SIZING

ARTWORK SCALE: 1/2"=1'

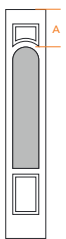


1' 0" x 6' 8"

1' 2" x 6' 8"

NOTE: BY REQUEST, SIDELITE HEIGHT COMES IN VARYING DIMENSIONS TO A MINIMUM OF 79". EXCESS WILL BE TAKEN FROM BOTTOM RAIL. ALL OTHER DIMENSIONS WILL REMAIN THE SAME.

## CUTOUTS & GLASS



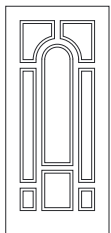
**CENTER ARCH LITE**  
8C1

ALL Cutout 9" x 42"  
Glass 8" x 41"

A = 12.81"

A = DISTANCE FROM TOP OF DOOR TO TOP OF OPENING

## MATCHING DOORS



DRS80

Available Widths:  
3' 0"

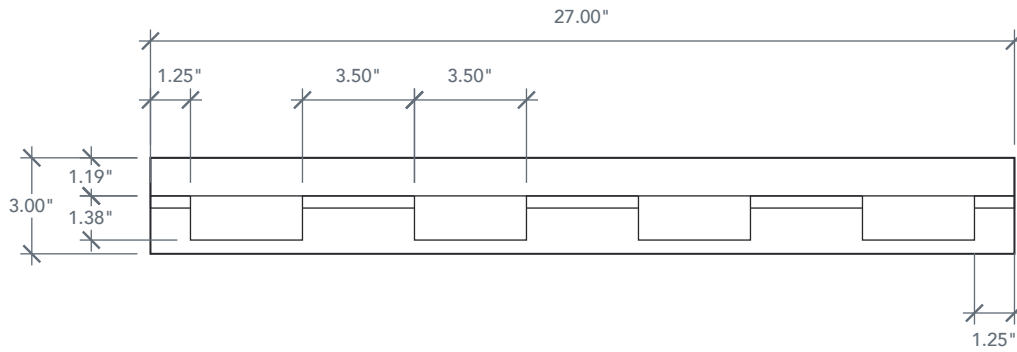
Spec Page = 147

# DENTIL SHELVES

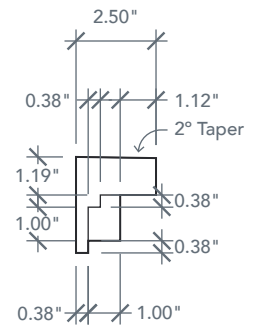
## ACCESSORY DIMENSIONS

ARTWORK NOT TO SCALE

### ACDSSW2704 4 BLOCK DENTIL SHELF



Front Profile

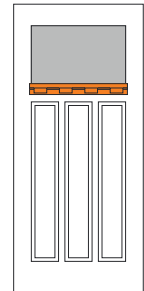


Side Profile

## ACCESSORY INFO

Parts Per Set: 1  
4 Block Dentil Shelf

Matching Doors:  
DRS6C | Spec Page 140

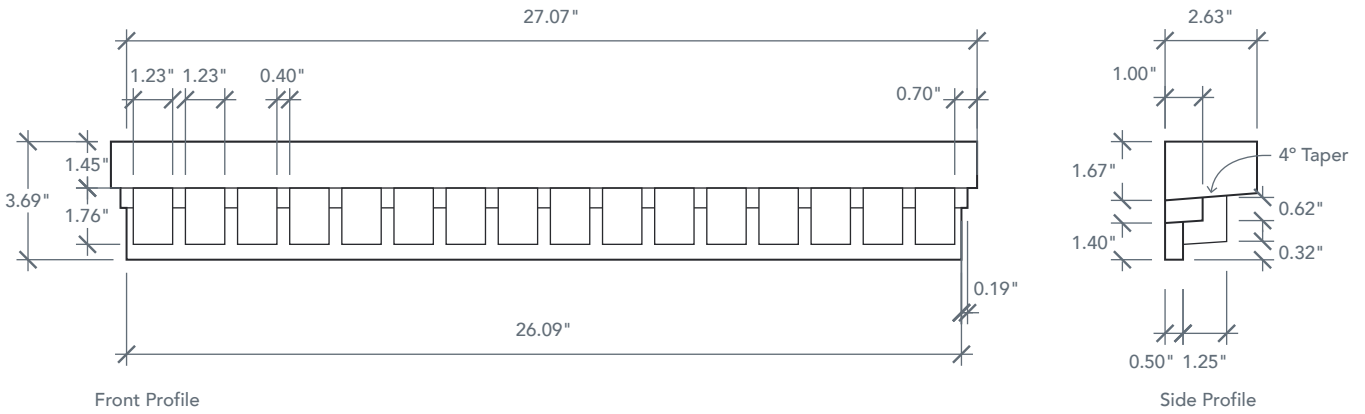


# DENTIL SHELVES

## ACCESSORY DIMENSIONS

ARTWORK NOT TO SCALE

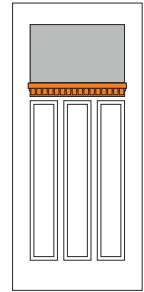
### ACDSSW2716 16 BLOCK DENTIL SHELF

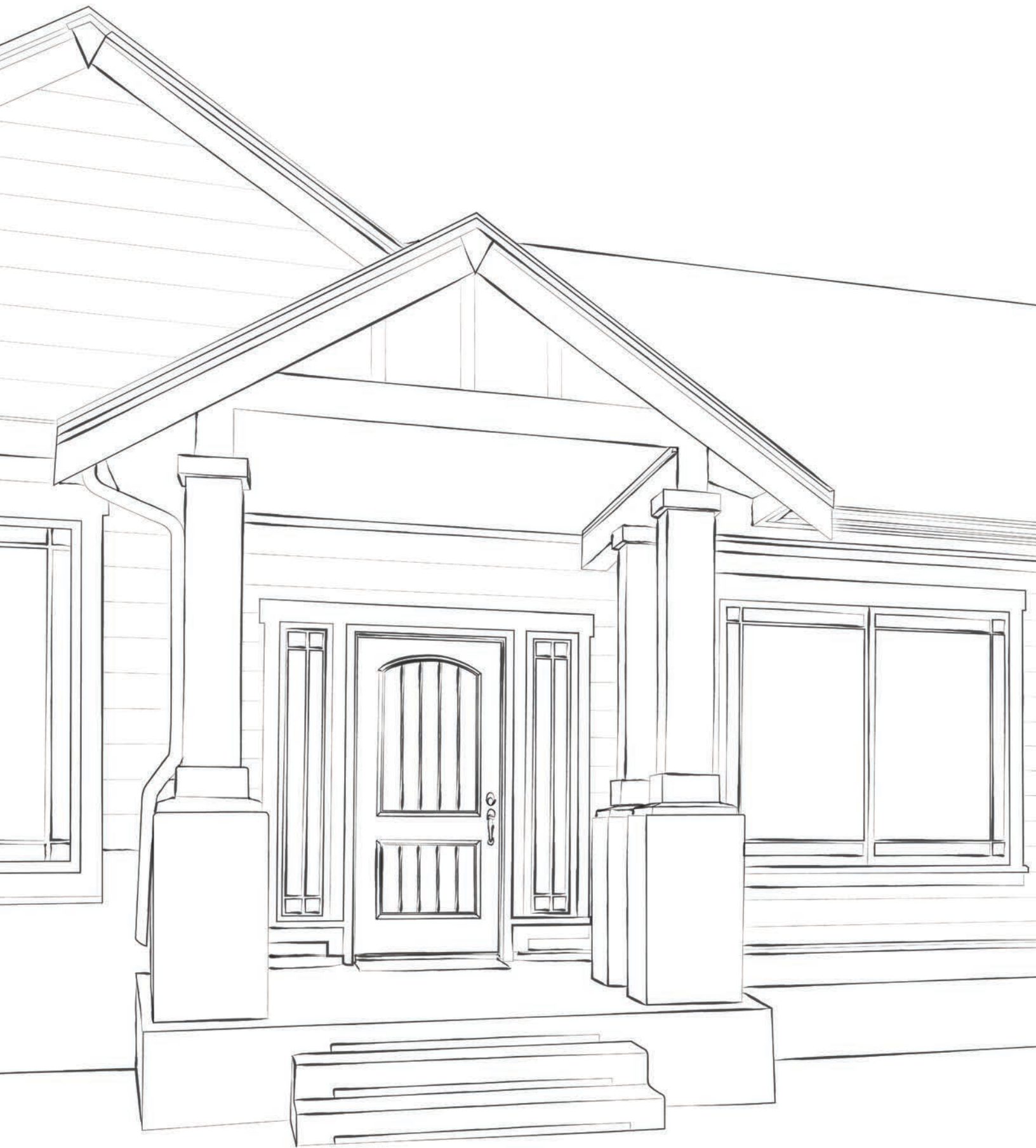


## ACCESSORY INFO

Parts Per Set: 1  
16 Block Dentil Shelf

Matching Doors:  
DRS6C | Spec Page 140





## WHITE OAK SERIES

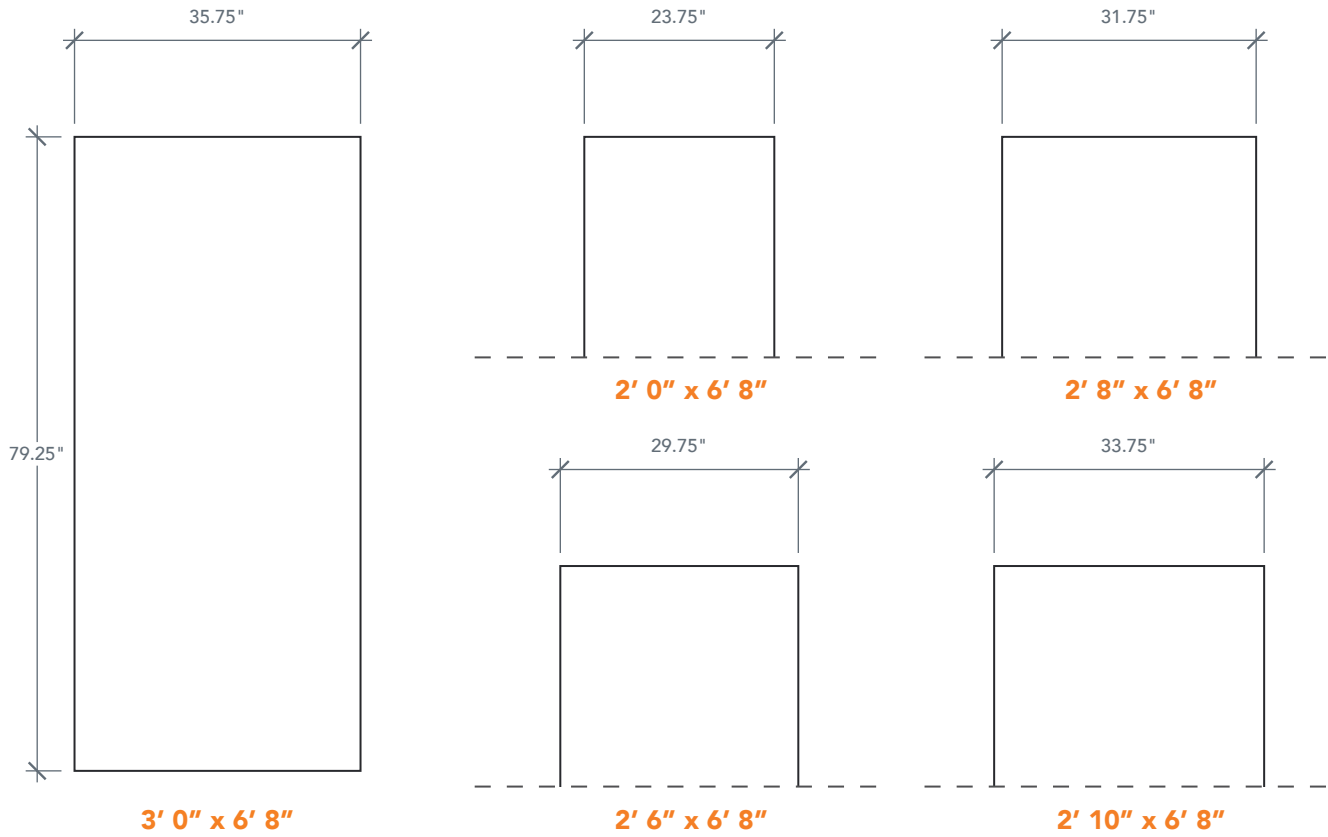
Can't decide between our classic Oak series and suave Smooth series? Plastpro figured, and as a result, we've created our exclusive White Oak Series. An immaculate line that encapsulates the finest features from our Smooth and Oak doors to deliver a top-notch entryway. Any home can enjoy an intricate oak texture coated in a pristine, pre-pigmented white skin. Finally, to help solidify your decision, Plastpro offers plentiful decorative glass options that'll turn this dreamy look into reality. The White Oak Series is the definition of the best of both worlds.

**PG 164 - 175**

# 6'8" DRV00 FLUSH DOOR

AVAILABLE SIZING

ARTWORK SCALE: 1/2"=1'



NOTE: BY REQUEST, DOOR HEIGHT COMES IN VARYING DIMENSIONS TO A MINIMUM OF 79". EXCESS WILL BE TAKEN FROM BOTTOM RAIL. ALL OTHER DIMENSIONS WILL REMAIN THE SAME.

## CUTOUTS & GLASS

	<b>FULL LITE</b>	
	FL5	
	2'6"	Cutout 21" x 65"
		Glass 20" x 64"
	FL7	
	2'8" 2'10" 3'0"	Cutout 23" x 65"
	Glass 22" x 64"	
A = 6.0"		

A = DISTANCE FROM TOP OF DOOR TO TOP OF OPENING

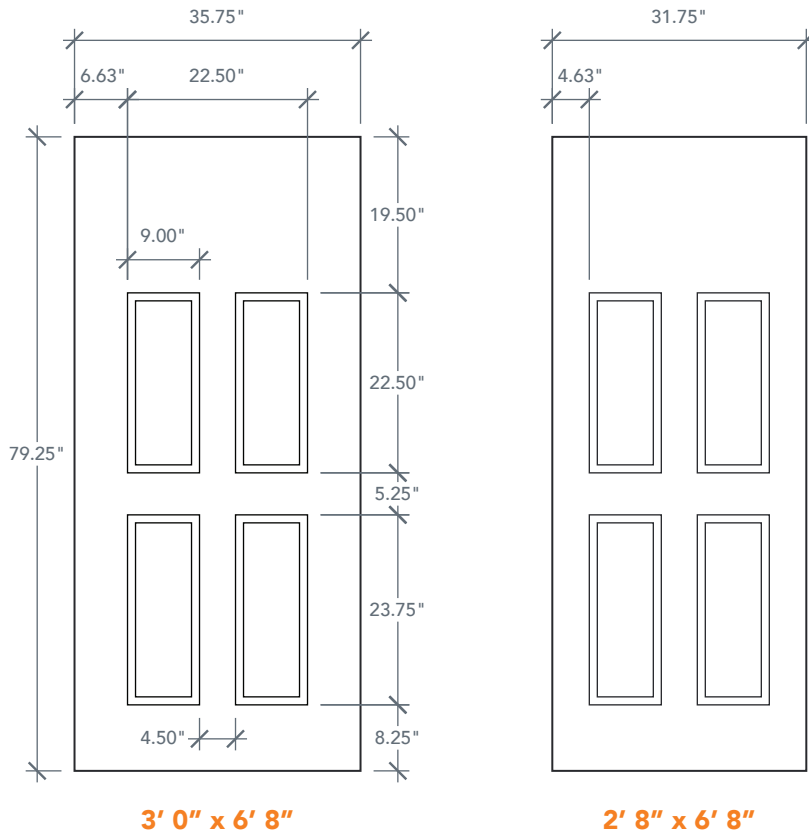
## MATCHING SIDELITES

	SLV00
	Available Widths:
	1' 0"
	1' 2"
Spec Page = 172	

# 6'8" DRV40 FOUR PANEL BLANK TOP DOOR

AVAILABLE SIZING

ARTWORK SCALE: 1/2"=1'



**3' 0" x 6' 8"**

**2' 8" x 6' 8"**

NOTE: BY REQUEST, DOOR HEIGHT COMES IN VARYING DIMENSIONS TO A MINIMUM OF 79". EXCESS WILL BE TAKEN FROM BOTTOM RAIL. ALL OTHER DIMENSIONS WILL REMAIN THE SAME.

## CUTOUTS & GLASS

	<table border="1"> <tr><th colspan="2">HALF ROUND LITE</th></tr> <tr><td colspan="2">HR1</td></tr> </table> <p><b>ALL</b> Cutout 23" x 11" Glass 22" x 10"</p> <p style="background-color: #f4a460; padding: 2px;">A = 4.0"</p>	HALF ROUND LITE		HR1			<table border="1"> <tr><th colspan="2">HALF LITE</th></tr> <tr><td colspan="2">HL4</td></tr> </table> <p><b>ALL</b> Cutout 23" x 37" Glass 22" x 36"</p> <p style="background-color: #f4a460; padding: 2px;">A = 5.0"</p>	HALF LITE		HL4			<table border="1"> <tr><th colspan="2">FULL LITE</th></tr> <tr><td colspan="2">FL7</td></tr> </table> <p><b>ALL</b> Cutout 23" x 65" Glass 22" x 64"</p> <p style="background-color: #f4a460; padding: 2px;">A = 6.0"</p>	FULL LITE		FL7	
HALF ROUND LITE																	
HR1																	
HALF LITE																	
HL4																	
FULL LITE																	
FL7																	

A = DISTANCE FROM TOP OF DOOR TO TOP OF OPENING

## MATCHING SIDELITES

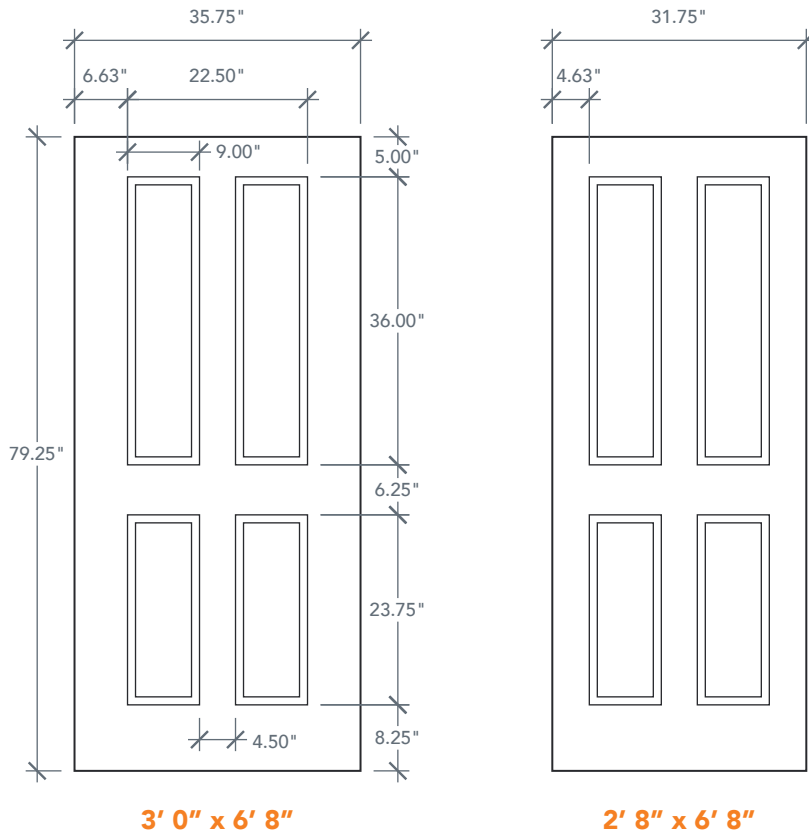
	<p>SLV60</p> <p>Available Widths: 1' 0" 1' 2"</p> <p>Spec Page = 173</p>
--	--



# 6'8" DRV41 TRUE FOUR PANEL DOOR

AVAILABLE SIZING

ARTWORK SCALE: 1/2"=1'

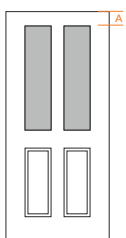


**3' 0" x 6' 8"**

**2' 8" x 6' 8"**

NOTE: BY REQUEST, DOOR HEIGHT COMES IN VARYING DIMENSIONS TO A MINIMUM OF 79". EXCESS WILL BE TAKEN FROM BOTTOM RAIL. ALL OTHER DIMENSIONS WILL REMAIN THE SAME.

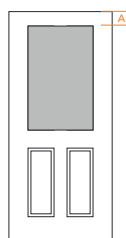
## CUTOUTS & GLASS



**TWIN LITE**  
HL2

2'8" Cutout 9" x 37"  
3'0" Glass 8" x 36"

A = 5.0"



**HALF LITE**  
HL4

2'8" Cutout 23" x 37"  
3'0" Glass 22" x 36"

A = 5.0"

A = DISTANCE FROM TOP OF DOOR TO TOP OF OPENING

## MATCHING SIDELITES



SLV60

Available Widths:

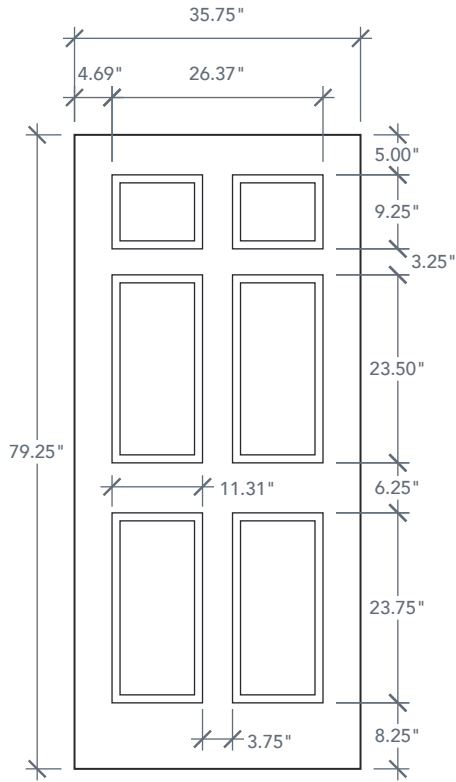
1' 0"  
1' 2"

Spec Page = 173

# 6'8" DRV60 SIX PANEL DOOR

AVAILABLE SIZING

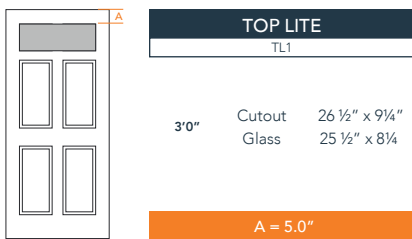
ARTWORK SCALE: 1/2"=1'



**3' 0" x 6' 8"**

NOTE: BY REQUEST, DOOR HEIGHT COMES IN VARYING DIMENSIONS TO A MINIMUM OF 79". EXCESS WILL BE TAKEN FROM BOTTOM RAIL. ALL OTHER DIMENSIONS WILL REMAIN THE SAME.

## CUTOUTS & GLASS



A = DISTANCE FROM TOP OF DOOR TO TOP OF OPENING

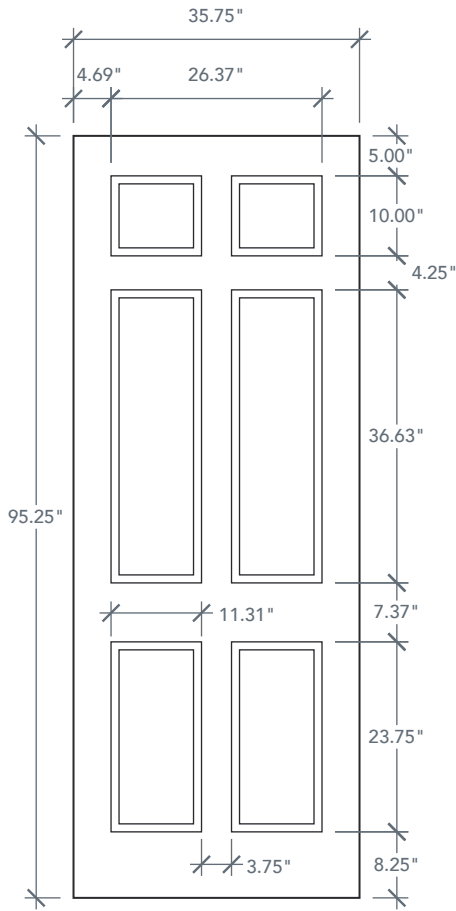
## MATCHING SIDELITES



# 8'0" DRW6080 SIX PANEL DOOR

## AVAILABLE SIZING

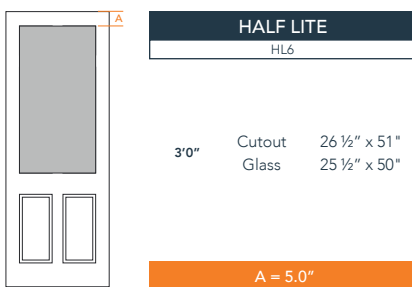
ARTWORK SCALE: 1/2"=1'



**3' 0" x 8' 0"**

NOTE: BY REQUEST, DOOR HEIGHT COMES IN VARYING DIMENSIONS TO A MINIMUM OF 95". EXCESS WILL BE TAKEN FROM BOTTOM RAIL. ALL OTHER DIMENSIONS WILL REMAIN THE SAME.

## CUTOUTS & GLASS

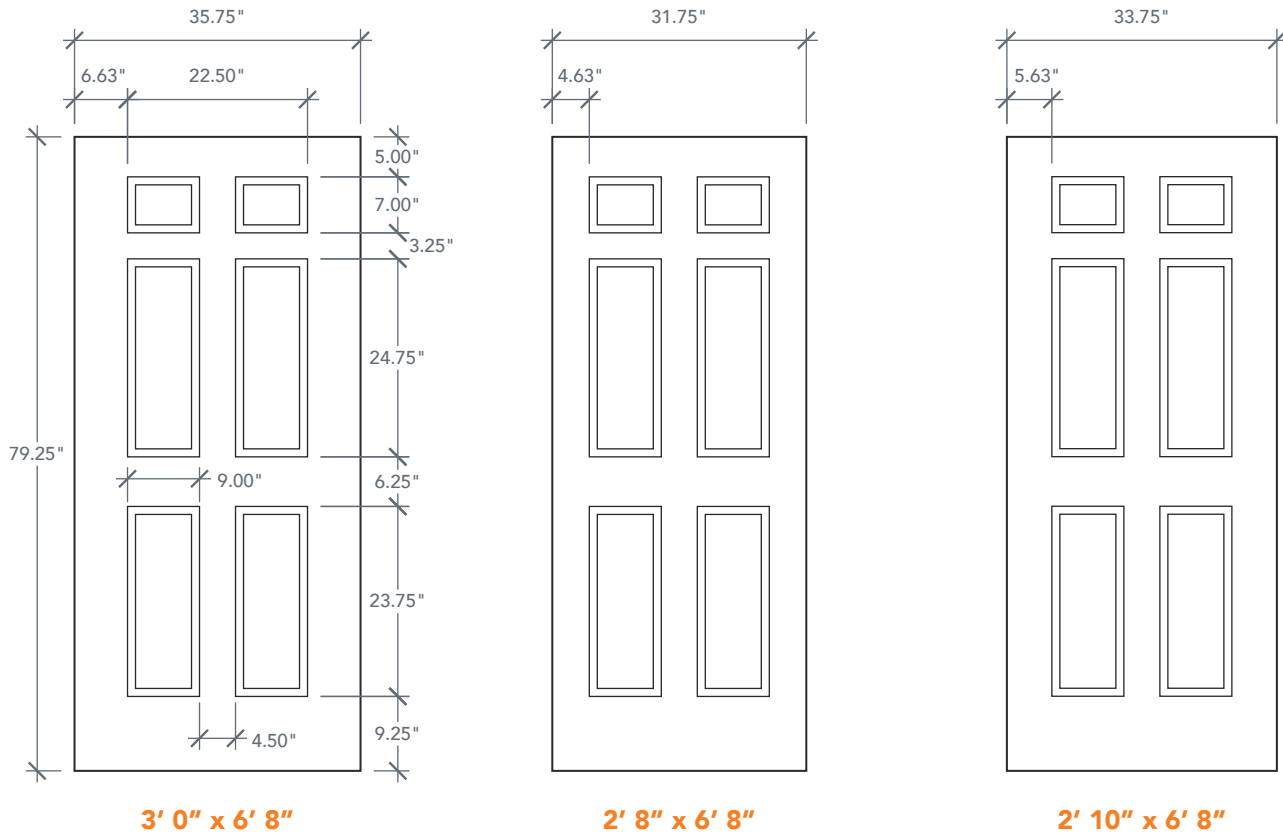


A = DISTANCE FROM TOP OF DOOR TO TOP OF OPENING

# 6'8" DRV61 SIX PANEL UTILITY DOOR

AVAILABLE SIZING

ARTWORK SCALE: 1/2"=1'



**3' 0" x 6' 8"**

**2' 8" x 6' 8"**

**2' 10" x 6' 8"**

NOTE: BY REQUEST, DOOR HEIGHT COMES IN VARYING DIMENSIONS TO A MINIMUM OF 79". EXCESS WILL BE TAKEN FROM BOTTOM RAIL. ALL OTHER DIMENSIONS WILL REMAIN THE SAME.

## CUTOUTS & GLASS

	<p><b>TWIN LITE</b> HL2</p> <p>ALL Cutout 9" x 37" Glass 8" x 36"</p> <p>A = 5.0"</p>		<p><b>HALF LITE</b> HL4</p> <p>ALL Cutout 23" x 37" Glass 22" x 36"</p> <p>A = 5.0"</p>		<p><b>FULL LITE</b> FL7</p> <p>ALL Cutout 23" x 65" Glass 22" x 64"</p> <p>A = 5.0"</p>
--	---	--	---	--	---

A = DISTANCE FROM TOP OF DOOR TO TOP OF OPENING

## MATCHING SIDELITE

SLV61

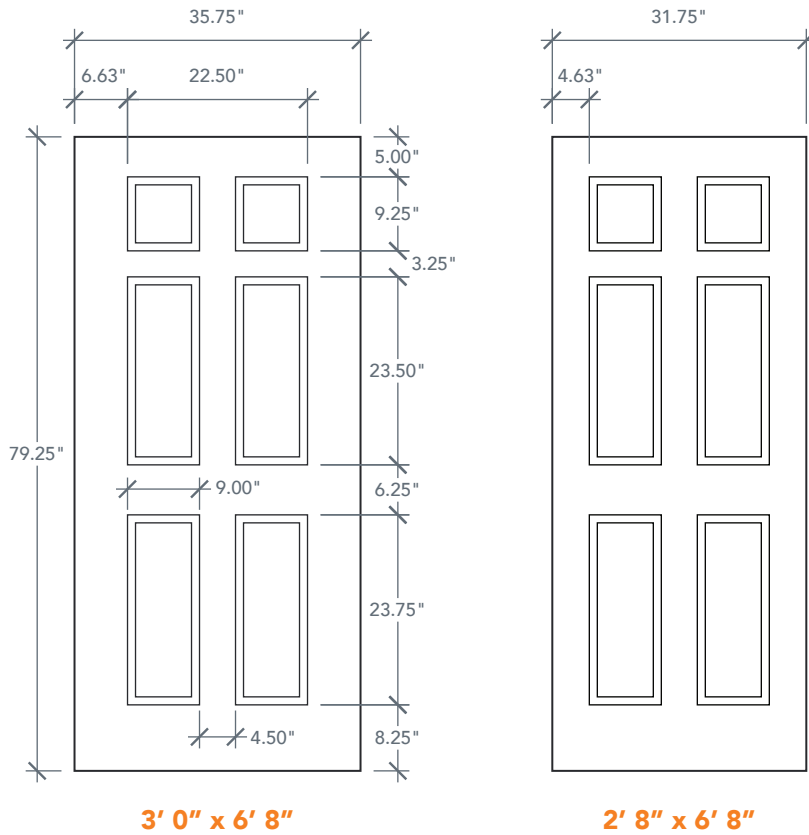
Available Widths:  
1' 0"  
1' 2"

Spec Page = 174

# 6'8" DRV63 TRUE SIX PANEL NARROW DOOR

AVAILABLE SIZING

ARTWORK SCALE: 1/2"=1'

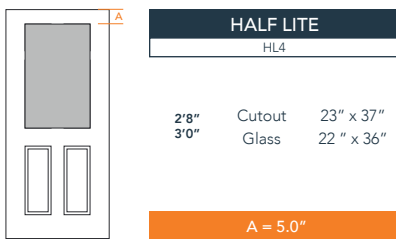


**3' 0" x 6' 8"**

**2' 8" x 6' 8"**

NOTE: BY REQUEST, DOOR HEIGHT COMES IN VARYING DIMENSIONS TO A MINIMUM OF 79". EXCESS WILL BE TAKEN FROM BOTTOM RAIL. ALL OTHER DIMENSIONS WILL REMAIN THE SAME.

## CUTOUTS & GLASS

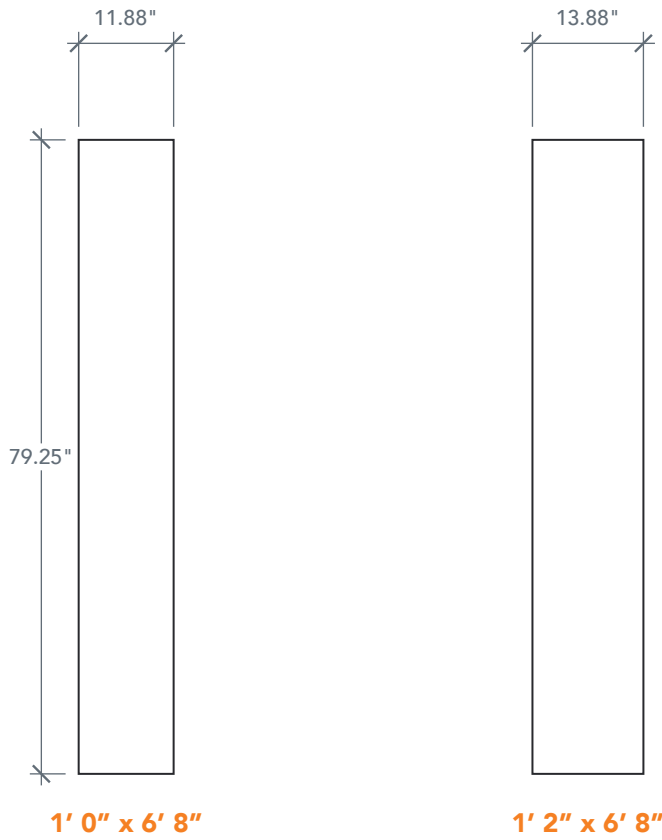


A = DISTANCE FROM TOP OF DOOR TO TOP OF OPENING

# 6'8" SLV00 FLUSH SIDELITE

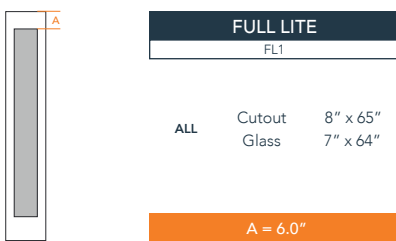
AVAILABLE SIZING

ARTWORK SCALE: 1/2"=1'



NOTE: BY REQUEST, SIDELITE HEIGHT COMES IN VARYING DIMENSIONS TO A MINIMUM OF 79". EXCESS WILL BE TAKEN FROM BOTTOM RAIL. ALL OTHER DIMENSIONS WILL REMAIN THE SAME.

## CUTOUT AND GLASS



A = DISTANCE FROM TOP OF DOOR TO TOP OF OPENING

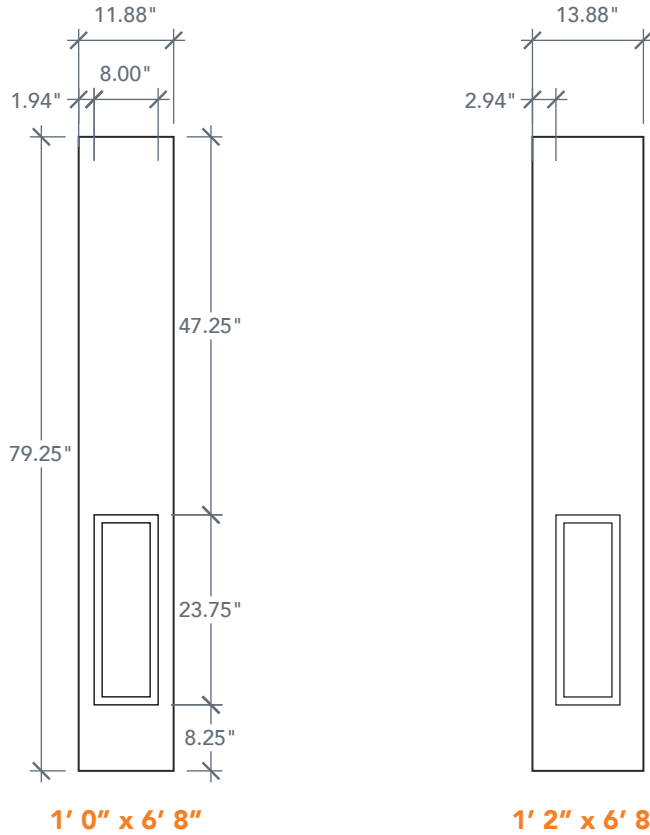
## MATCHING DOOR



# 6'8" SLV60 SIX PANEL SIDELITE

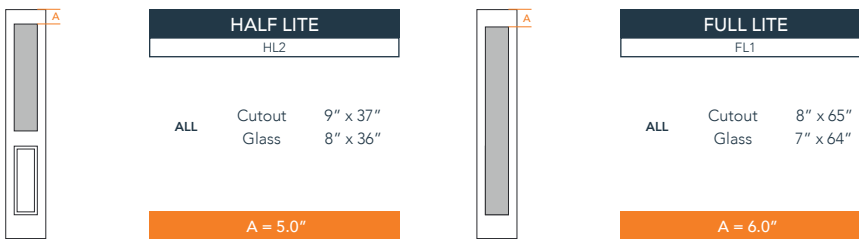
AVAILABLE SIZING

ARTWORK SCALE: 1/2"=1'



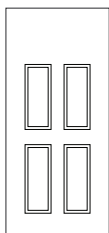
NOTE: BY REQUEST, SIDELITE HEIGHT COMES IN VARYING DIMENSIONS TO A MINIMUM OF 79". EXCESS WILL BE TAKEN FROM BOTTOM RAIL. ALL OTHER DIMENSIONS WILL REMAIN THE SAME.

## CUTOUT AND GLASS



A = DISTANCE FROM TOP OF DOOR TO TOP OF OPENING

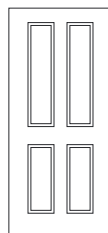
## MATCHING DOORS



DRV40

Available Widths:  
2' 8"  
2' 10"  
3' 0"

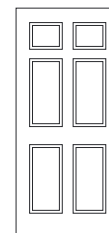
Spec Page = 166



DRV41

Available Widths:  
2' 8"  
2' 10"  
3' 0"

Spec Page = 167



DRV60

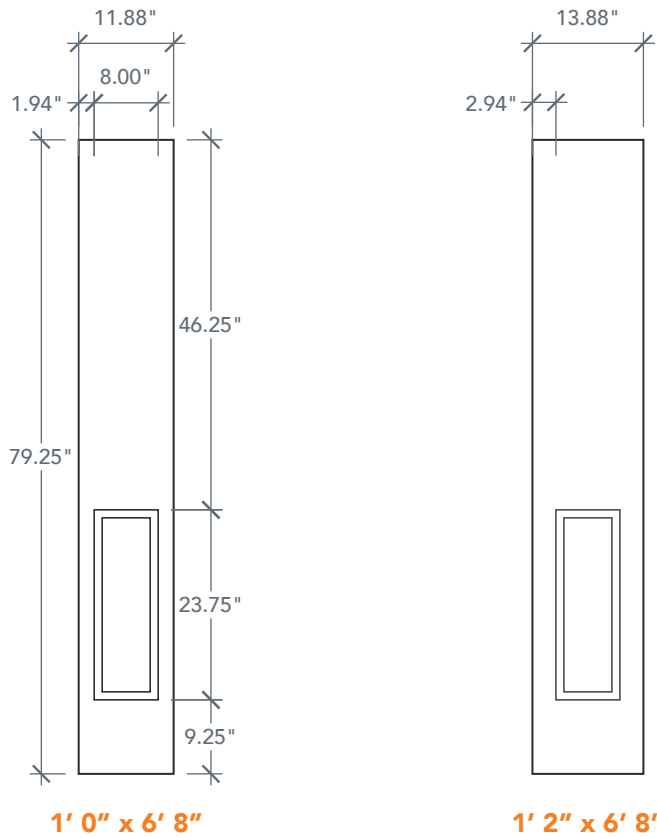
Available Widths:  
2' 6"  
3' 0"

Spec Page = 168

# 6'8" SLV61 SIX PANEL UTILITY SIDELITE

AVAILABLE SIZING

ARTWORK SCALE: 1/2"=1'

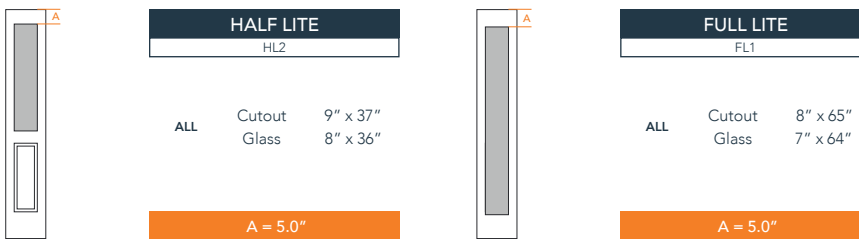


1' 0" x 6' 8"

1' 2" x 6' 8"

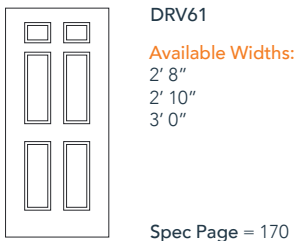
NOTE: BY REQUEST, SIDELITE HEIGHT COMES IN VARYING DIMENSIONS TO A MINIMUM OF 79". EXCESS WILL BE TAKEN FROM BOTTOM RAIL. ALL OTHER DIMENSIONS WILL REMAIN THE SAME.

## CUTOUT AND GLASS



A = DISTANCE FROM TOP OF DOOR TO TOP OF OPENING

## MATCHING DOOR







## ONELITE SERIES

Our Onelite Series was made to maximize natural light and give your home a lustrous glow. Offered in our classic oak grain and smooth finish coats, these doors encompass style while providing superb flexibility. For example, this line incorporates a fine, flush glazed glass with a removable stop to allow the glass to be switched without changing the entire door. Another benefit is that this series gladly reduces your energy bill, as these doors are available with beautiful and energy-efficient low-emissivity glass. In fact, the only thing clearer than our remarkable glass is the win-win situation the Onelite series presents.

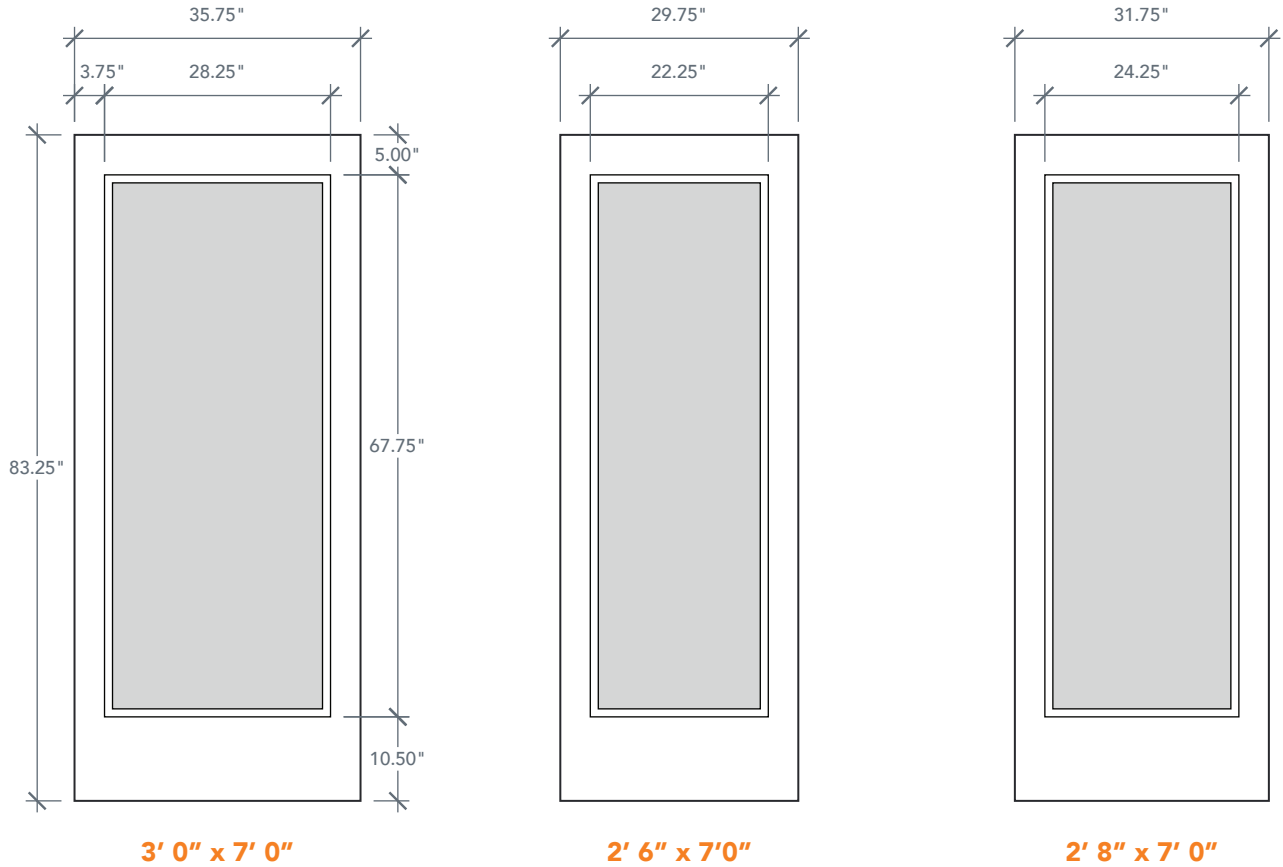
**PG 176 - 183**

# 7'0" DRS1070 FLUSH GLAZED FULL LITE DOOR

SMOOTH

AVAILABLE SIZING

ARTWORK SCALE: 1/2"=1'



**3' 0" x 7' 0"**

**2' 6" x 7' 0"**

**2' 8" x 7' 0"**

NOTE: BY REQUEST, DOOR HEIGHT COMES IN VARYING DIMENSIONS TO A MINIMUM OF 83". EXCESS WILL BE TAKEN FROM BOTTOM RAIL. ALL OTHER DIMENSIONS WILL REMAIN THE SAME.

## GLASS & DAYLIGHT OPENING

FULL LITE			
2'6"	Glass	23 5/16" x 67"	
	Daylight	22 5/16" x 66"	
2'8"	Glass	25 5/16" x 67"	
	Daylight	24 5/16" x 66"	
3'0"	Glass	27 5/16" x 67"	
	Daylight	26 5/16" x 66"	
A = 5.00"			

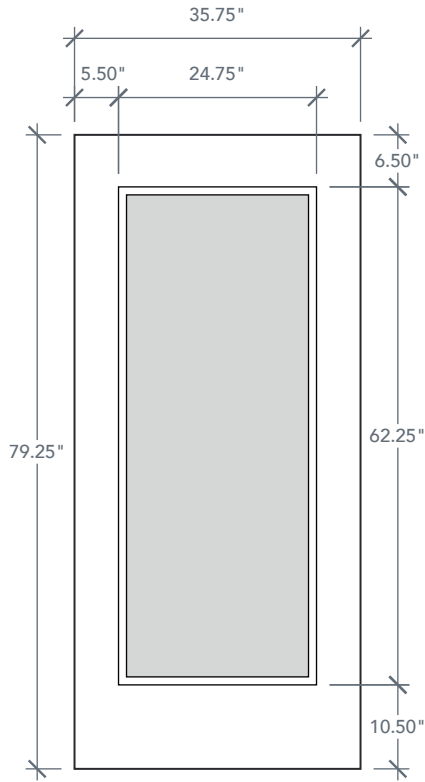
A = DISTANCE FROM TOP OF DOOR TO TOP OF OPENING

# 6'8" DRS11 FLUSH GLAZED ADA DOOR

SMOOTH

AVAILABLE SIZING

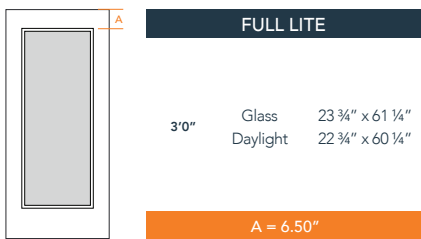
ARTWORK SCALE: 1/2"=1'



**3' 0" x 6' 8"**

NOTE: BY REQUEST, DOOR HEIGHT COMES IN VARYING DIMENSIONS TO A MINIMUM OF 79". EXCESS WILL BE TAKEN FROM BOTTOM RAIL. ALL OTHER DIMENSIONS WILL REMAIN THE SAME.

## GLASS & DAYLIGHT OPENING



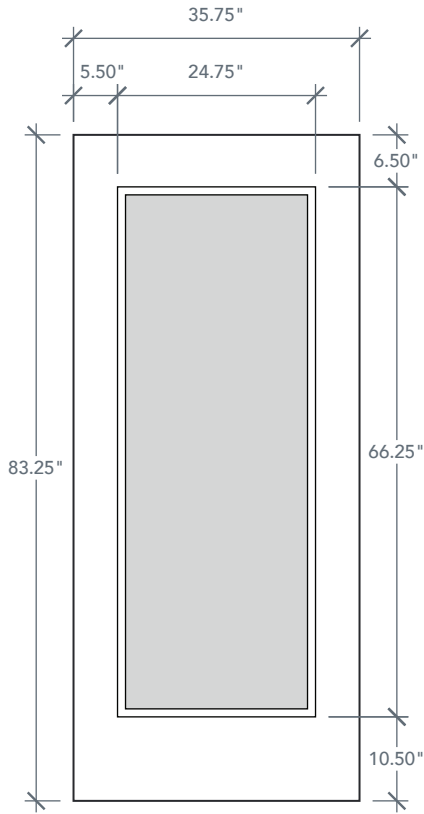
A = DISTANCE FROM TOP OF DOOR TO TOP OF OPENING

# 7'0" DRS1170 FLUSH GLAZED ADA DOOR

SMOOTH

AVAILABLE SIZING

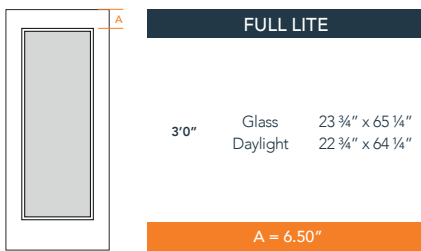
ARTWORK SCALE: 1/2"=1'



**3' 0" x 7' 0"**

NOTE: BY REQUEST, DOOR HEIGHT COMES IN VARYING DIMENSIONS TO A MINIMUM OF 83". EXCESS WILL BE TAKEN FROM BOTTOM RAIL. ALL OTHER DIMENSIONS WILL REMAIN THE SAME.

## GLASS & DAYLIGHT OPENING



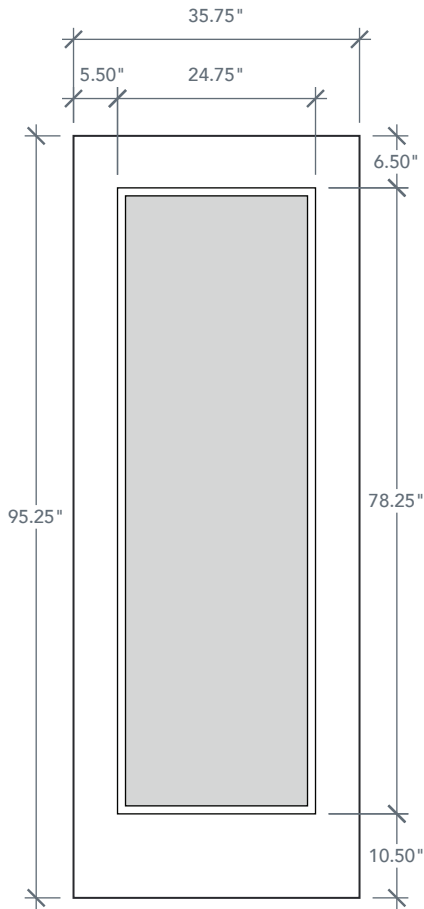
A = DISTANCE FROM TOP OF DOOR TO TOP OF OPENING

# 8'0" DRS1180 FLUSH GLAZED ADA DOOR

SMOOTH

## AVAILABLE SIZING

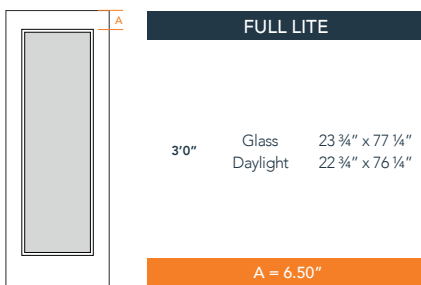
ARTWORK SCALE: 1/2"=1'



**3' 0" x 8' 0"**

NOTE: BY REQUEST, DOOR HEIGHT COMES IN VARYING DIMENSIONS TO A MINIMUM OF 95". EXCESS WILL BE TAKEN FROM BOTTOM RAIL. ALL OTHER DIMENSIONS WILL REMAIN THE SAME.

## GLASS & DAYLIGHT OPENING



A = DISTANCE FROM TOP OF DOOR TO TOP OF OPENING

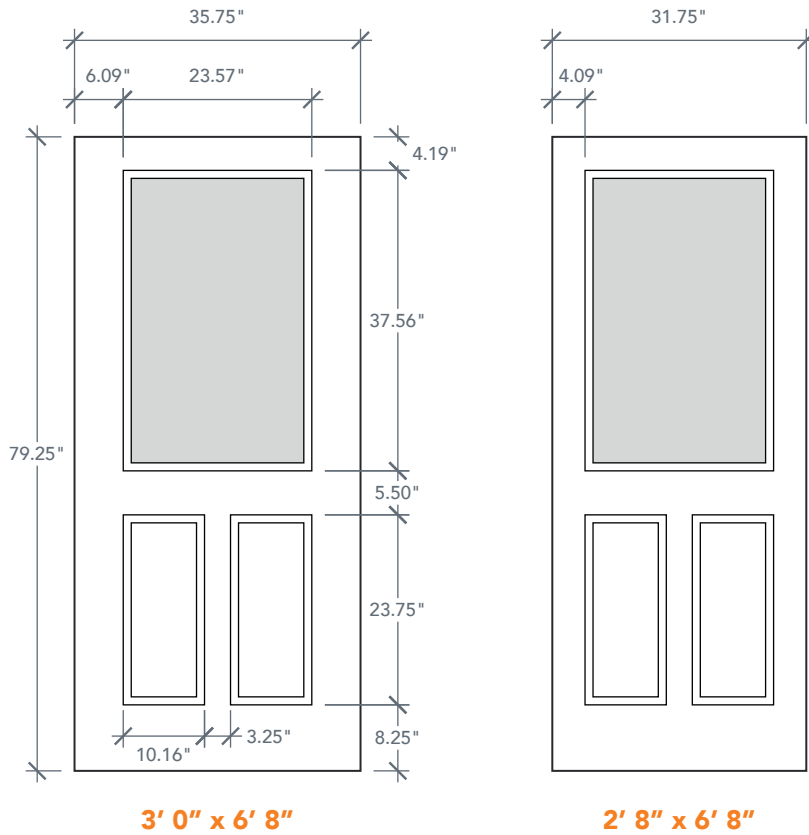
# 6'8" DRG12/DRS12 FLUSH GLAZED HALF LITE DOOR

OAK

SMOOTH

## AVAILABLE SIZING

ARTWORK SCALE: 1/2"=1'

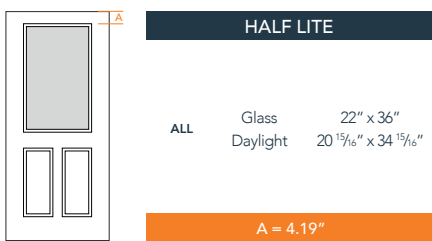


**3' 0" x 6' 8"**

**2' 8" x 6' 8"**

NOTE: BY REQUEST, DOOR HEIGHT COMES IN VARYING DIMENSIONS TO A MINIMUM OF 79". EXCESS WILL BE TAKEN FROM BOTTOM RAIL. ALL OTHER DIMENSIONS WILL REMAIN THE SAME.

## GLASS & DAYLIGHT OPENING



A = DISTANCE FROM TOP OF DOOR TO TOP OF OPENING

## MATCHING SIDELITES

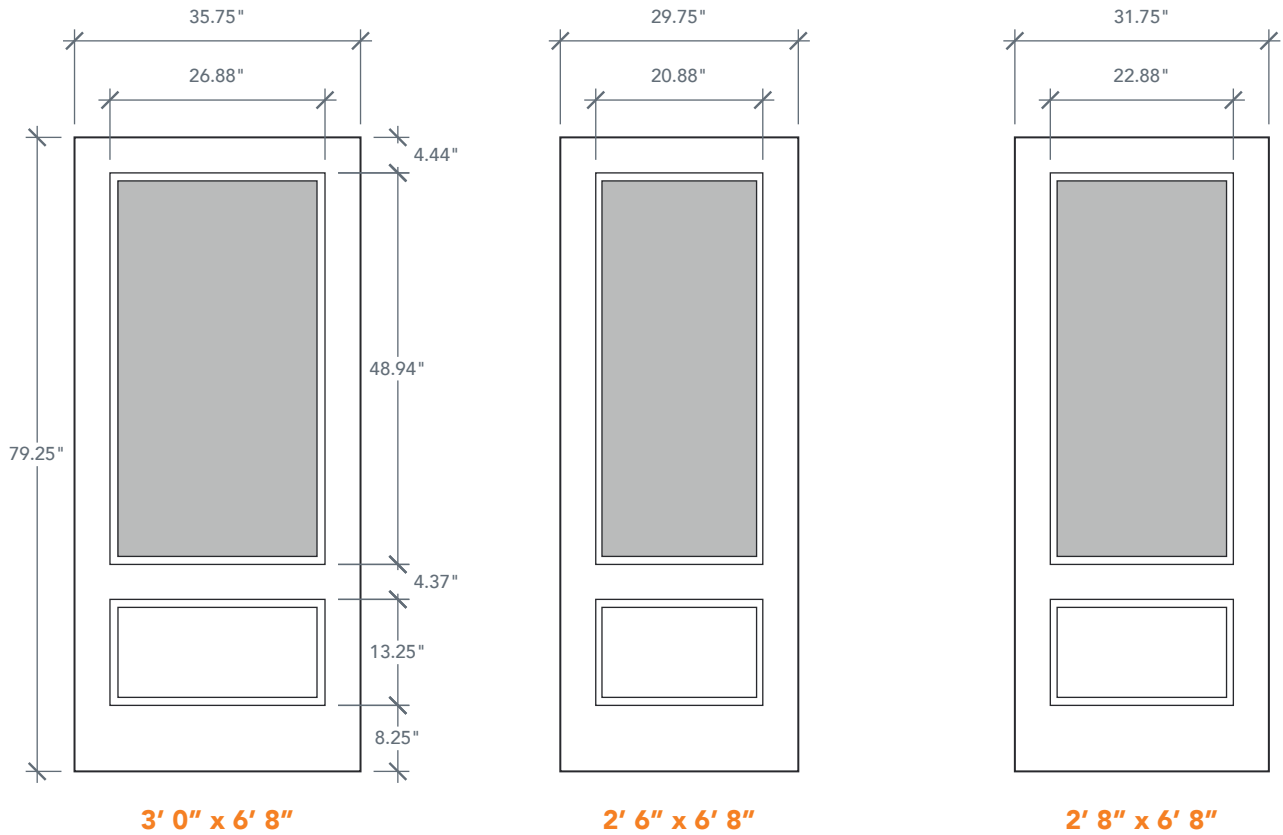


# 6'8" DRM13 FLUSH GLAZED 3/4 LITE DOOR

MAHOGANY

## AVAILABLE SIZING

ARTWORK SCALE: 1/2"=1'



**3' 0" x 6' 8"**

**2' 6" x 6' 8"**

**2' 8" x 6' 8"**

NOTE: BY REQUEST, DOOR HEIGHT COMES IN VARYING DIMENSIONS TO A MINIMUM OF 79". EXCESS WILL BE TAKEN FROM BOTTOM RAIL. ALL OTHER DIMENSIONS WILL REMAIN THE SAME.

## GLASS & DAYLIGHT OPENING

FULL LITE			
2'6"	Glass	20" x 48"	
	Daylight	19 1/4" x 47 1/4"	
2'8"	Glass	22" x 48"	
	Daylight	21 1/4" x 47 1/4"	
3'0"	Glass	26" x 48"	
	Daylight	25 1/4" x 47 1/4"	
A = 4.44"			

A = DISTANCE FROM TOP OF DOOR TO TOP OF OPENING



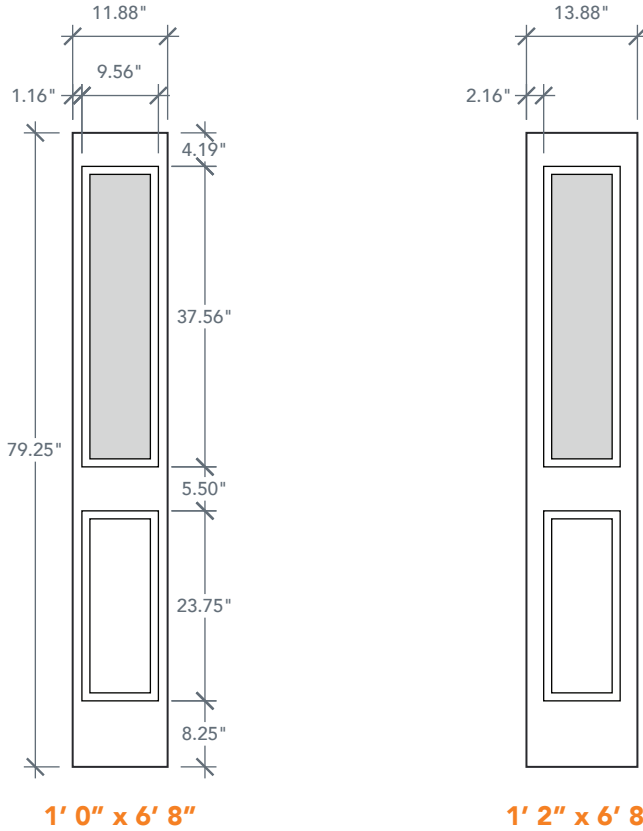
# 6'8" SLG12/SLS12 FLUSH GLAZED HALF LITE SIDELITE

OAK

SMOOTH

## AVAILABLE SIZING

ARTWORK SCALE: 1/2"=1'

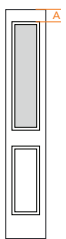


1' 0" x 6' 8"

1' 2" x 6' 8"

NOTE: BY REQUEST, SIDELITE HEIGHT COMES IN VARYING DIMENSIONS TO A MINIMUM OF 79". EXCESS WILL BE TAKEN FROM BOTTOM RAIL. ALL OTHER DIMENSIONS WILL REMAIN THE SAME.

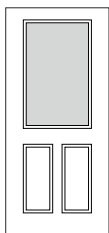
## GLASS & DAYLIGHT OPENING



HALF LITE		
ALL	Glass	8" x 36"
	Daylight	6 15/16" x 34 15/16"
A = 4.19"		

A = DISTANCE FROM TOP OF DOOR TO TOP OF OPENING

## MATCHING DOORS



DRG12/DRS12

Available Widths:

- 2' 8"
- 3' 0"

Spec Page = 181

## **NOVA SERIES**

Plastpro's Nova Series is an absolute stunner that will turn your entryway into the neighborhood's main attraction. Our Nova Series is most notable for the tall spotless glass that is directly glazed into the door to create a seamless blend between the glass and door. The large glass pane can be outlined in two models: the 45 with a traditional, Craftsman sticking, in a Smooth or Fir skin, and the 90 with a modern, Shaker sticking and Brushed Smooth finish. Welcome beautiful scenery, natural light, and most importantly your loved ones into a space that outsiders can't help but envy a little.

**PG 184 - 199**

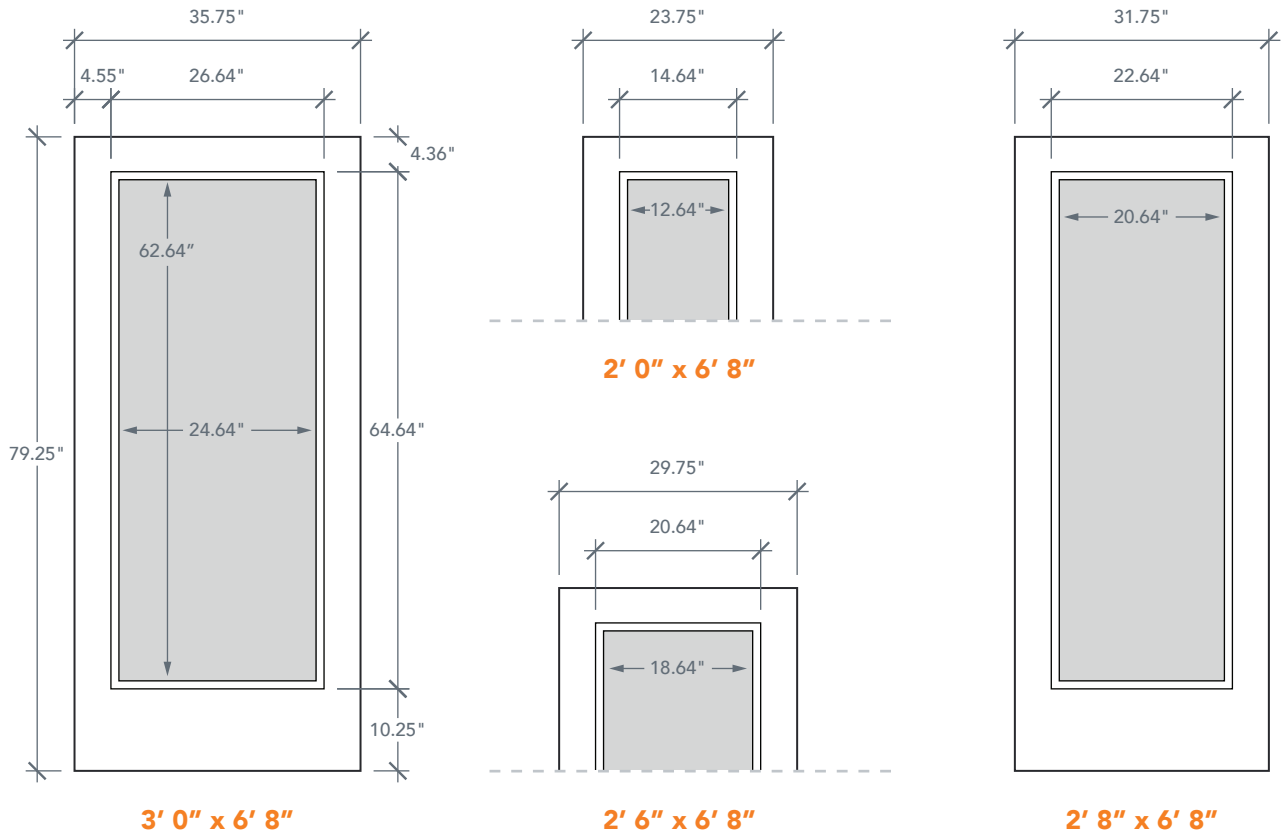
# 6'8" DRS1DL/DRF1DL NOVA 45 FULL LITE

SMOOTH FIR

DIRECT GLAZED

## AVAILABLE SIZING

ARTWORK SCALE: 1/2"=1'



NOTE: BY REQUEST, DOOR HEIGHT COMES IN VARYING DIMENSIONS TO A MINIMUM OF 79". EXCESS WILL BE TAKEN FROM BOTTOM RAIL. ALL OTHER DIMENSIONS WILL REMAIN THE SAME.

# 8'0" DRS1D80L/DRF1D80L NOVA 45 FULL LITE

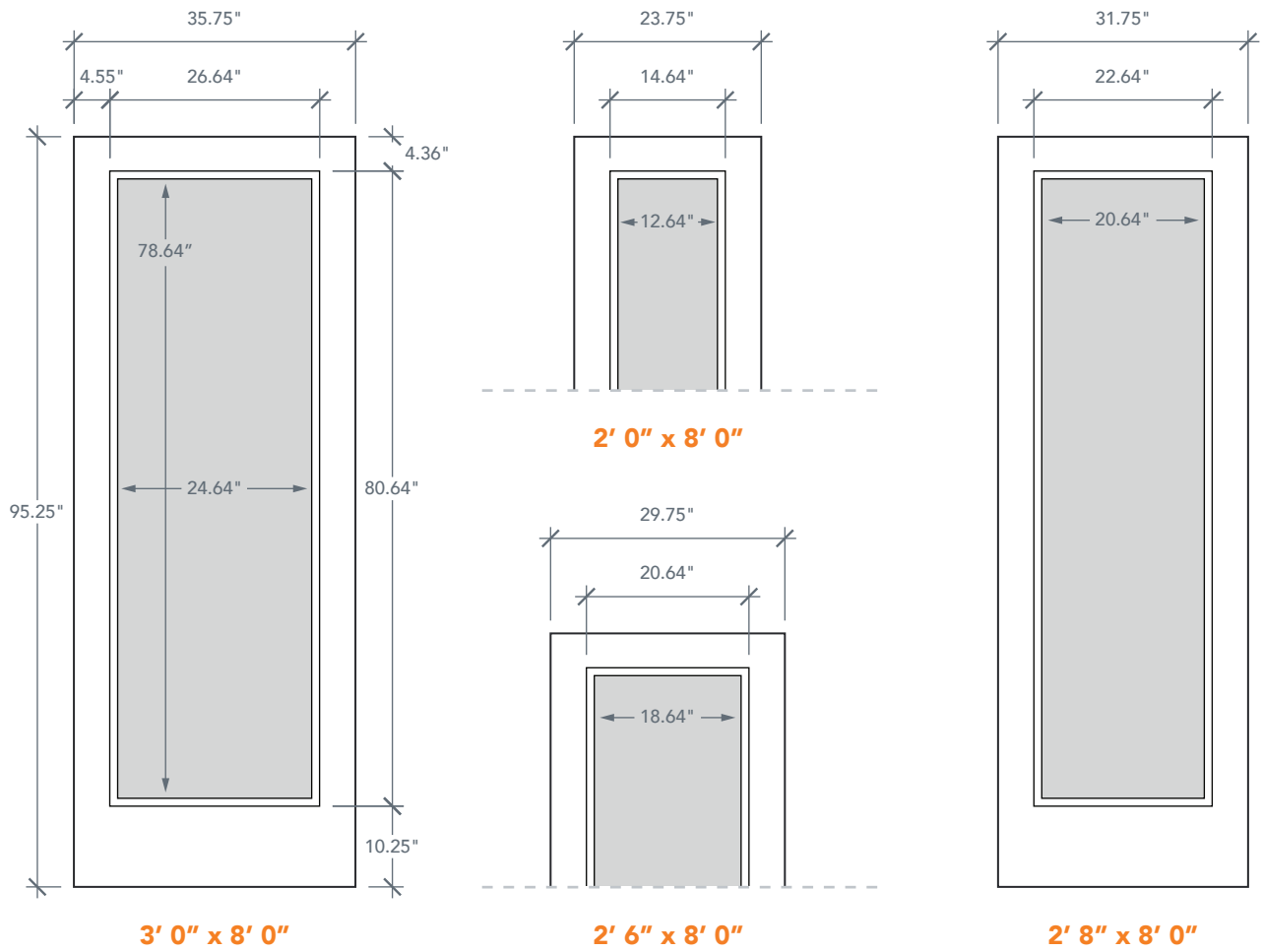
SMOOTH

FIR

DIRECT GLAZED

## AVAILABLE SIZING

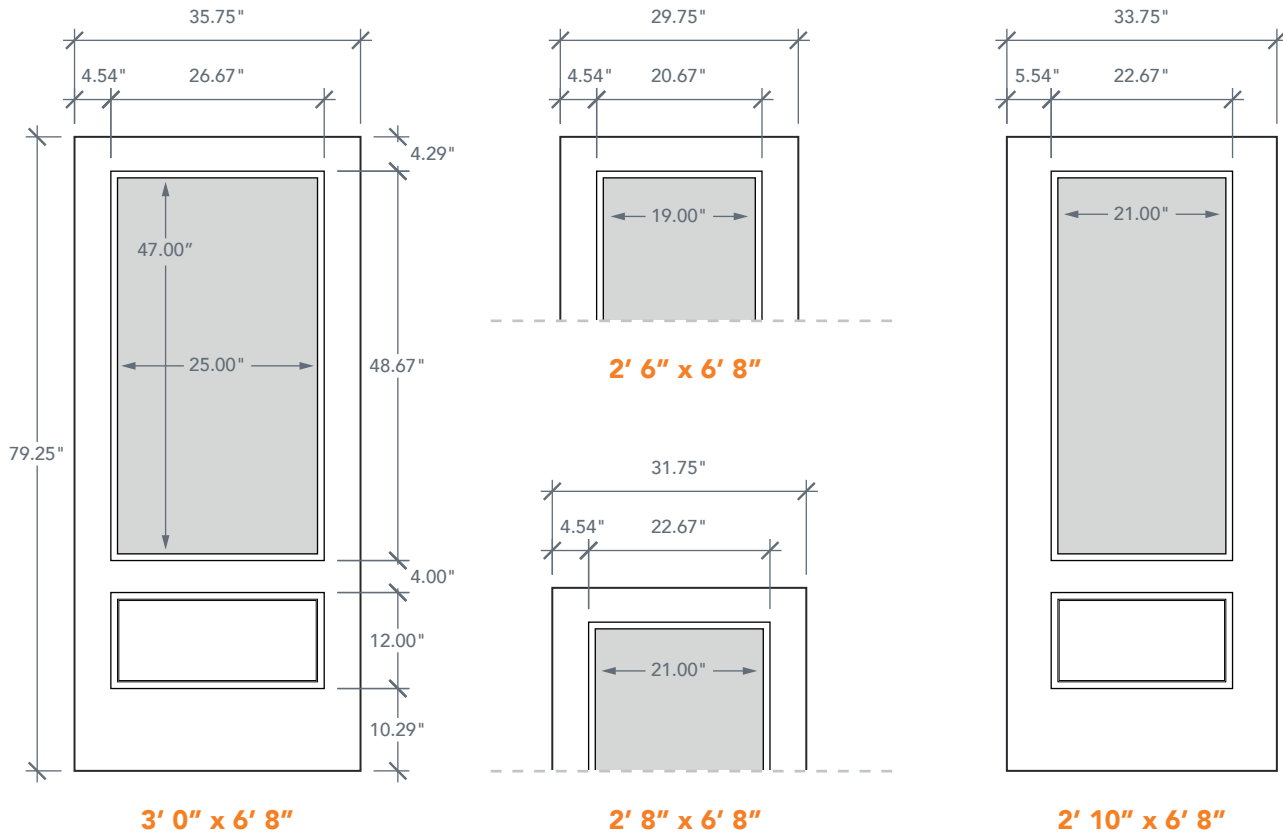
ARTWORK SCALE: 1/2"=1'



NOTE: BY REQUEST, DOOR HEIGHT COMES IN VARYING DIMENSIONS TO A MINIMUM OF 95". EXCESS WILL BE TAKEN FROM BOTTOM RAIL. ALL OTHER DIMENSIONS WILL REMAIN THE SAME.

AVAILABLE SIZING

ARTWORK SCALE: 1/2"=1'



NOTE: BY REQUEST, DOOR HEIGHT COMES IN VARYING DIMENSIONS TO A MINIMUM OF 79". EXCESS WILL BE TAKEN FROM BOTTOM RAIL. ALL OTHER DIMENSIONS WILL REMAIN THE SAME.

MATCHING SIDELITES



SLS1E/SLB1E

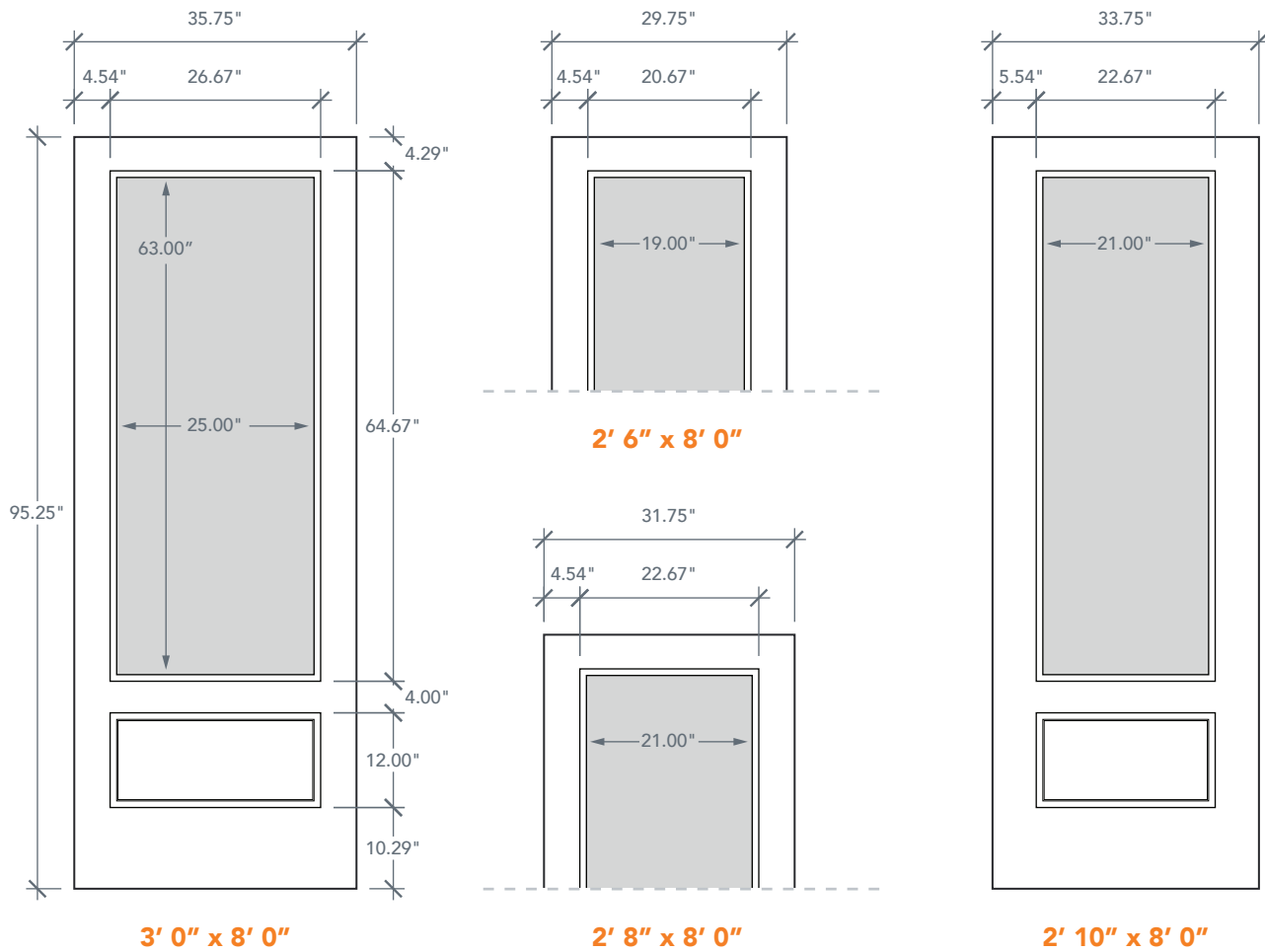
Available Widths:

- 1' 0"
- 1' 2"

Spec Page = 191

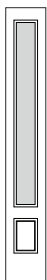
**AVAILABLE SIZING**

ARTWORK SCALE: 1/2"=1'



NOTE: BY REQUEST, DOOR HEIGHT COMES IN VARYING DIMENSIONS TO A MINIMUM OF 95". EXCESS WILL BE TAKEN FROM BOTTOM RAIL. ALL OTHER DIMENSIONS WILL REMAIN THE SAME.

**MATCHING SIDELITES**



SLS1E80/ SLB1E80

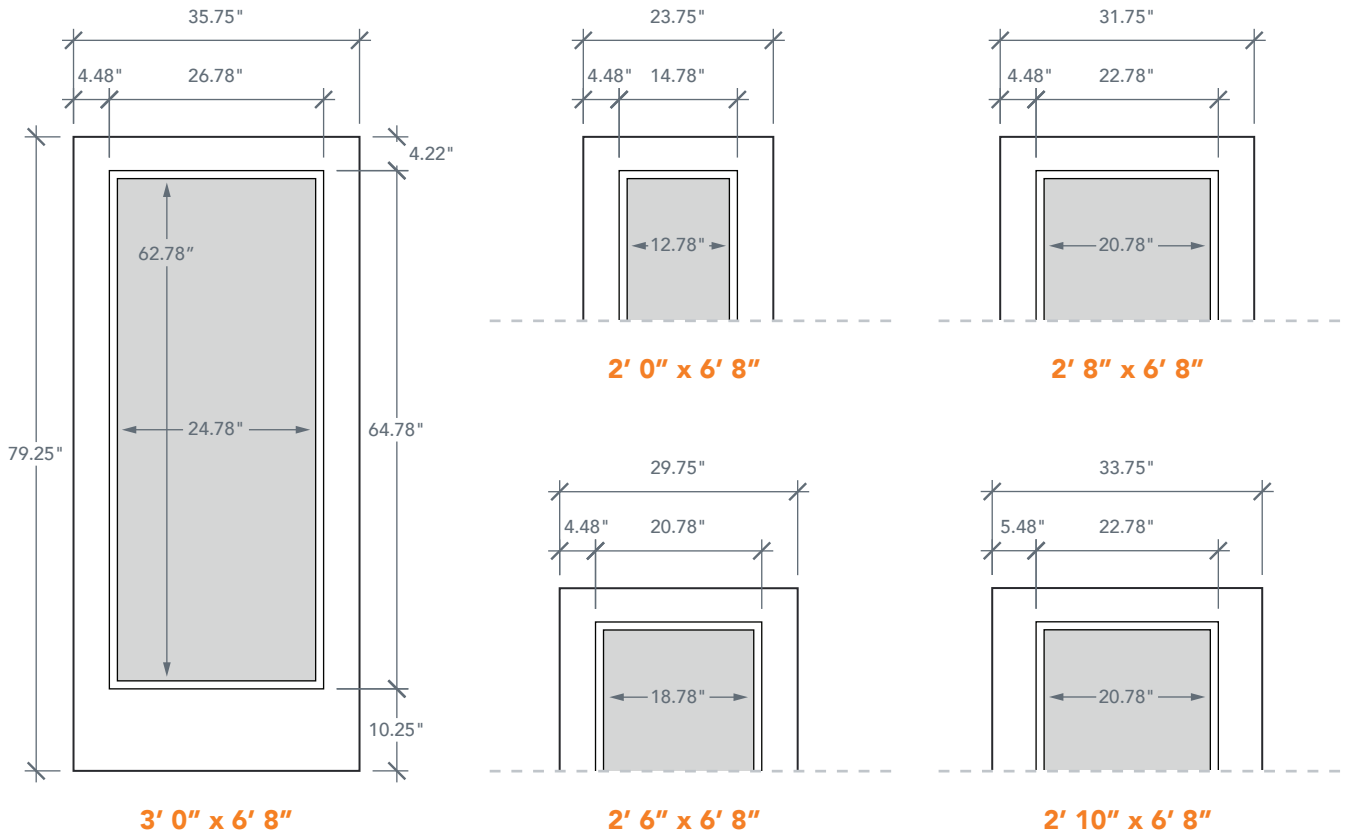
Available Widths:

- 1' 0"
- 1' 2"

Spec Page = 192

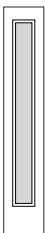
AVAILABLE SIZING

ARTWORK SCALE: 1/2"=1'



NOTE: BY REQUEST, DOOR HEIGHT COMES IN VARYING DIMENSIONS TO A MINIMUM OF 79". EXCESS WILL BE TAKEN FROM BOTTOM RAIL. ALL OTHER DIMENSIONS WILL REMAIN THE SAME.

MATCHING SIDELITES



SLS1S/SLB1S

Available Widths:

- 1' 0"
- 1' 2"

Spec Page = 193

# 8'0" DRS1S80 / DRB1S80 NOVA 90 FULL LITE

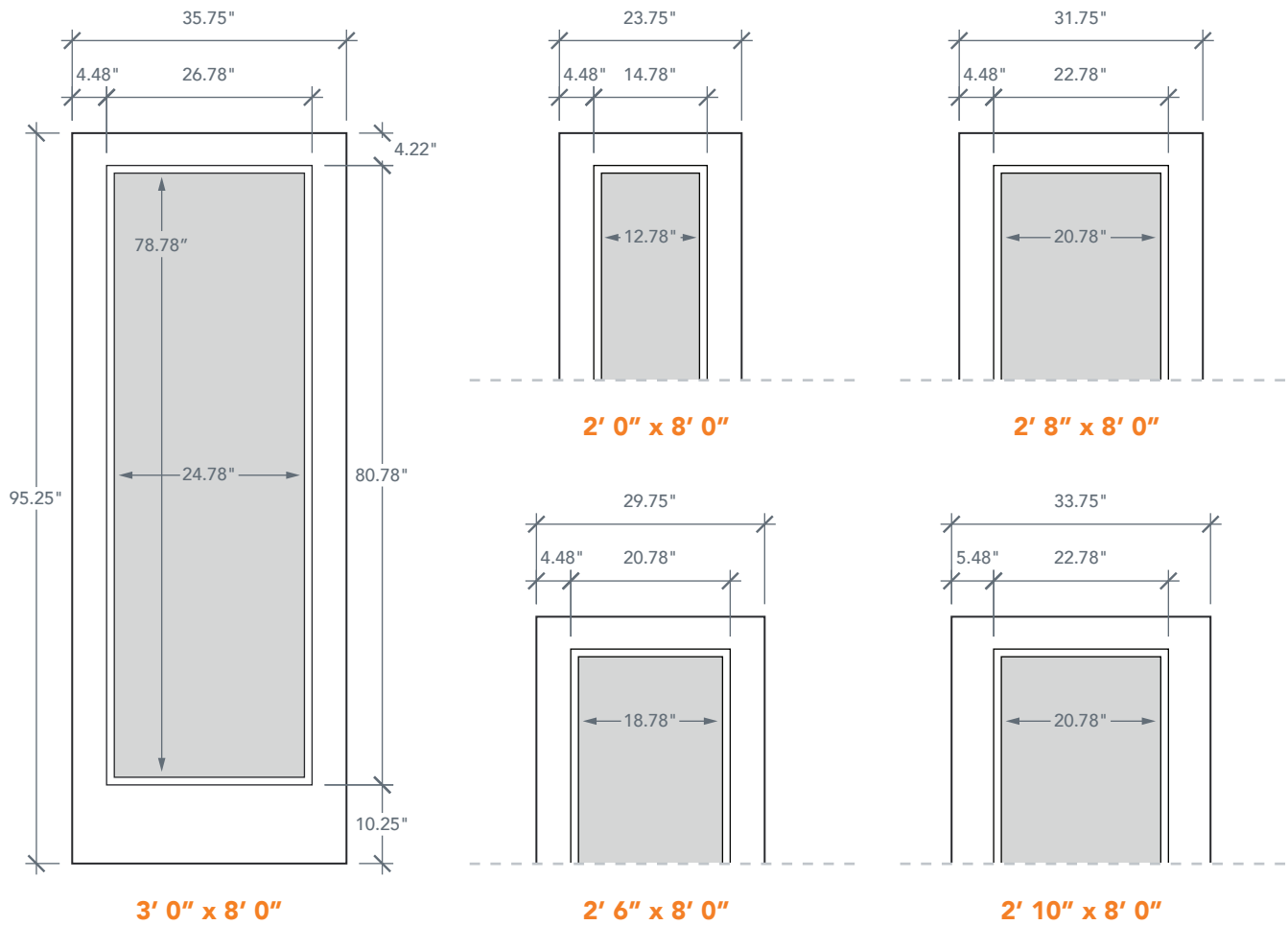
BRUSHED SMOOTH

ONYX

DIRECT GLAZED

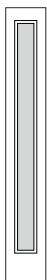
## AVAILABLE SIZING

ARTWORK SCALE: 1/2"=1'



NOTE: BY REQUEST, DOOR HEIGHT COMES IN VARYING DIMENSIONS TO A MINIMUM OF 95". EXCESS WILL BE TAKEN FROM BOTTOM RAIL. ALL OTHER DIMENSIONS WILL REMAIN THE SAME.

## MATCHING SIDELITES



SLS1S80/ SLB1S80

Available Widths:

1' 0"

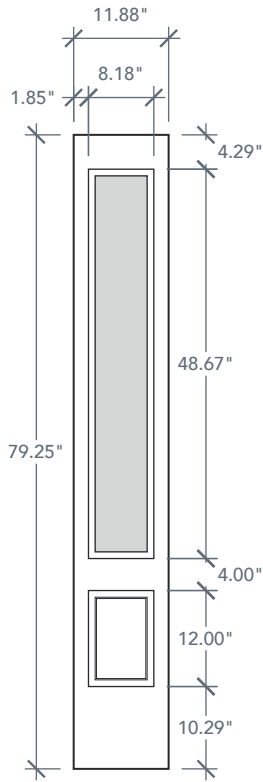
1' 2"

Spec Page = 194

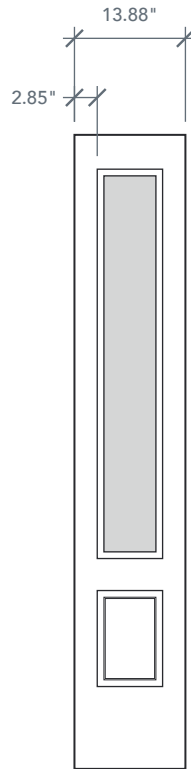


**AVAILABLE SIZING**

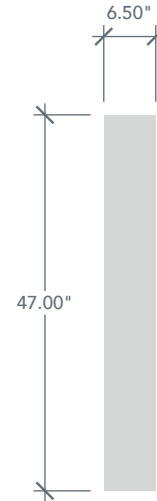
ARTWORK SCALE: 1/2"=1'



**1' 0" x 6' 8"**



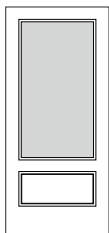
**1' 2" x 6' 8"**



**Glass Measurements**

NOTE: BY REQUEST, SIDELITE HEIGHT COMES IN VARYING DIMENSIONS TO A MINIMUM OF 79". EXCESS WILL BE TAKEN FROM BOTTOM RAIL. ALL OTHER DIMENSIONS WILL REMAIN THE SAME.

**MATCHING DOORS**



DRS1E/ DRB1E

Available Widths:

- 2' 6"
- 2' 8"
- 2' 10"
- 3' 0"

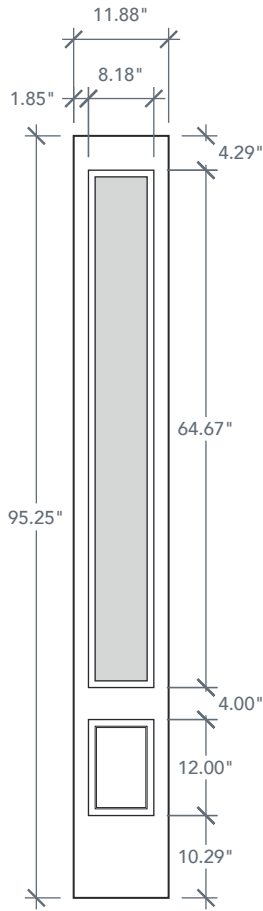
Spec Page = 187

# 8'0" SLS1E80/SLB1E80 NOVA 90 3/4 LITE SIDELITE DIRECT GLAZED

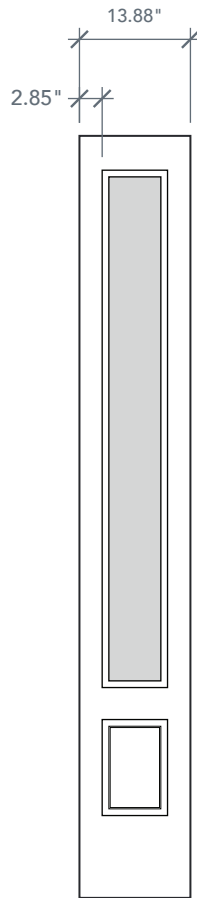
BRUSHED SMOOTH ONYX

## AVAILABLE SIZING

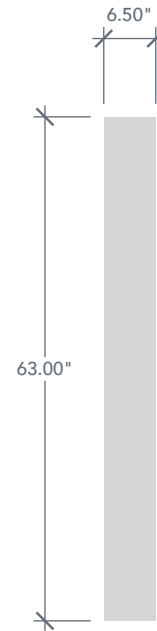
ARTWORK SCALE: 1/2"=1'



**1' 0" x 8' 0"**



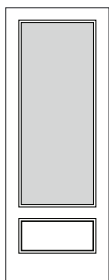
**1' 2" x 8' 0"**



**Glass Measurements**

NOTE: BY REQUEST, SIDELITE HEIGHT COMES IN VARYING DIMENSIONS TO A MINIMUM OF 95". EXCESS WILL BE TAKEN FROM BOTTOM RAIL. ALL OTHER DIMENSIONS WILL REMAIN THE SAME.

## MATCHING DOORS



DRS1E80/ DRB1E80

Available Widths:

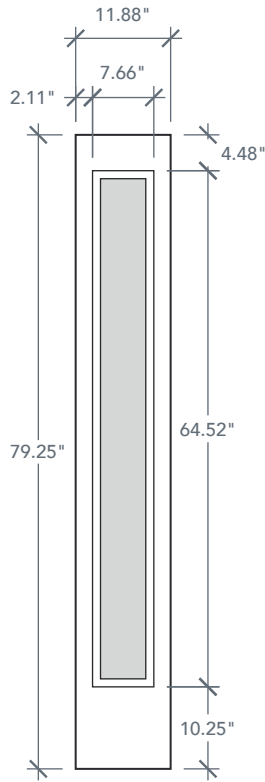
- 2' 6"
- 2' 8"
- 2' 10"
- 3' 0"

Spec Page = 188

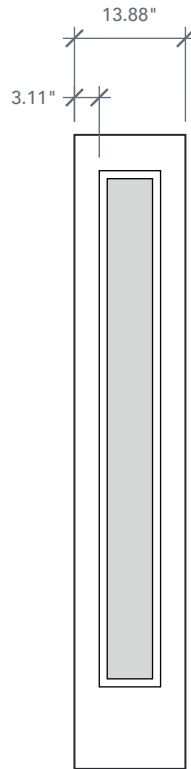
**6'8" SLS1S / SLB1S NOVA 90 FULL LITE SIDELITE** DIRECT GLAZED  
BRUSHED SMOOTH ONYX

**AVAILABLE SIZING**

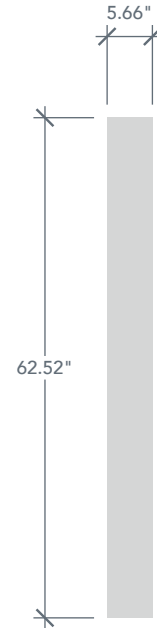
ARTWORK SCALE: 1/2"=1'



**1' 0" x 6' 8"**



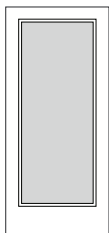
**1' 2" x 6' 8"**



**Glass Measurements**

NOTE: BY REQUEST, SIDELITE HEIGHT COMES IN VARYING DIMENSIONS TO A MINIMUM OF 79". EXCESS WILL BE TAKEN FROM BOTTOM RAIL. ALL OTHER DIMENSIONS WILL REMAIN THE SAME.

**MATCHING DOORS**



DRS1S/ DRB1S

Available Widths:

- 2' 0"
- 2' 6"
- 2' 8"
- 2' 10"
- 3' 0"

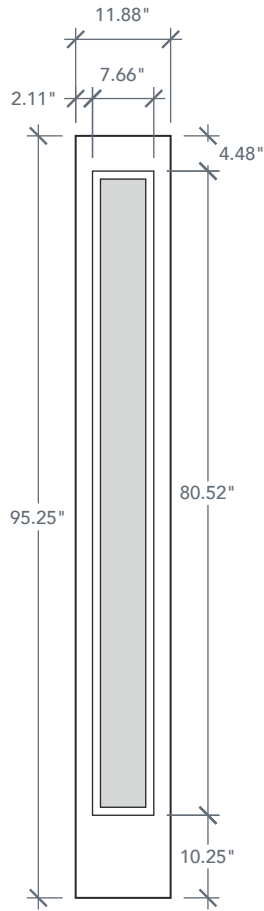
Spec Page = 189

# 8'0" SLS1S80/SLB1S80 NOVA 90 FULL LITE SIDELITE DIRECT GLAZED

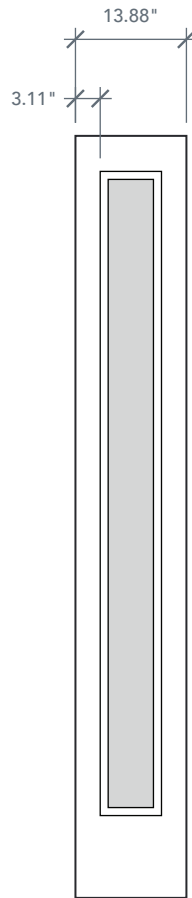
BRUSHED SMOOTH ONYX

## AVAILABLE SIZING

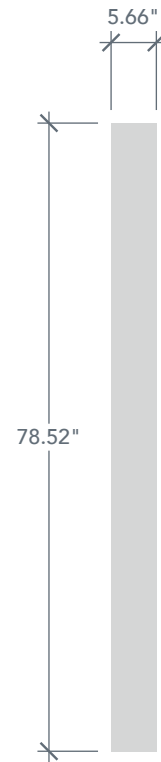
ARTWORK SCALE: 1/2"=1'



**1' 0" x 8' 0"**



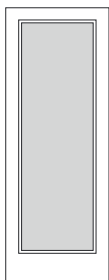
**1' 2" x 8' 0"**



**Glass Measurements**

NOTE: BY REQUEST, SIDELITE HEIGHT COMES IN VARYING DIMENSIONS TO A MINIMUM OF 95". EXCESS WILL BE TAKEN FROM BOTTOM RAIL. ALL OTHER DIMENSIONS WILL REMAIN THE SAME.

## MATCHING DOORS



DRS1S80/ DRB1S80

Available Widths:

- 2' 0"
- 2' 6"
- 2' 8"
- 2' 10"
- 3' 0"

Spec Page = 190

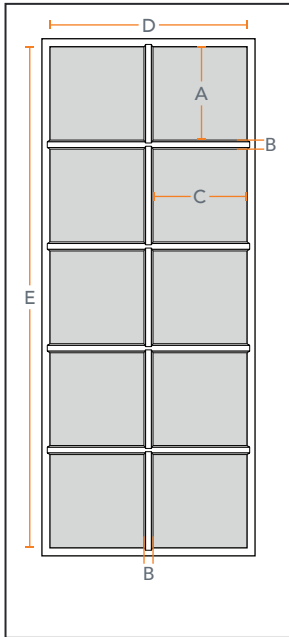
# SDL BARS NOVA 45 - 10 LITE

SMOOTH & FIR

6'8" & 8'0"

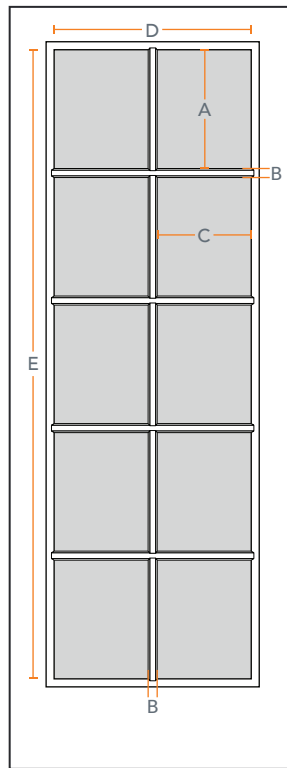
## AVAILABLE SIZING

ARTWORK SCALE: 1/2"=1'



**FIR - 10 LITE**  
ACSDF1D68-10L

**SMOOTH - 10 LITE**  
ACSDW1D68-10L



**FIR - 10 LITE**  
ACSDF1D80-10L

**SMOOTH - 10 LITE**  
ACSDW1D80-10L

## DIMENSIONS

HEIGHT	ITEM	WIDTH	A	B	C	D	E	F
6'8"	ACSDF1D68D10L/ACSDW1D68D10L	2'0"	11.66"	1.13"	5.84"	13.30"	63.33"	N/A
	ACSDF1D68A10L/ACSDW1D68A10L	2'6"	11.66"	1.13"	8.84"	19.30"	63.33"	N/A
	ACSDF1D68B10L/ACSDW1D68B10L	2'8"	11.66"	1.13"	9.84"	21.30"	63.33"	N/A
	ACSDF1D68C10L/ACSDW1D68C10L	3'0"	11.66"	1.13"	11.84"	25.30"	63.33"	N/A

HEIGHT	ITEM	WIDTH	A	B	C	D	E	F
8'0"	ACSDF1D80D10L/ACSDW1D80D10L	2'0"	14.68"	1.13"	5.84"	13.30"	79.33"	N/A
	ACSDF1D80A10L/ACSDW1D80A10L	2'6"	14.68"	1.13"	8.84"	19.30"	79.33"	N/A
	ACSDF1D80B10L/ACSDW1D80B10L	2'8"	14.68"	1.13"	9.84"	21.30"	79.33"	N/A
	ACSDF1D80C10L/ACSDW1D80C10L	3'0"	14.68"	1.13"	11.84"	25.30"	79.33"	N/A

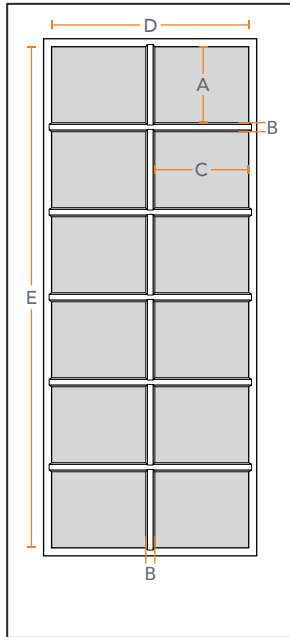
# SDL BARS NOVA 45 - 12 LITE

SMOOTH & FIR

6'8" & 8'0"

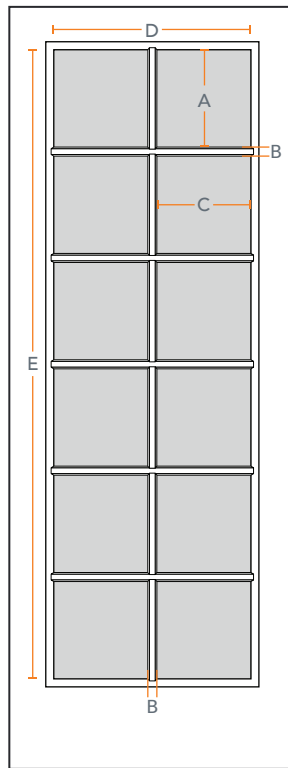
## AVAILABLE SIZING

ARTWORK SCALE: 1/2"=1'



**FIR - 12 LITE**  
ACSDF1D68-12L26

**SMOOTH - 12 LITE**  
ACSDW1D68-12L26



**FIR - 12 LITE**  
ACSDF1D80-12L26

**SMOOTH - 12 LITE**  
ACSDW1D80-12L26

## DIMENSIONS

HEIGHT	ITEM	WIDTH	A	B	C	D	E	F
6'8"	ACSDF1D68D12L26/ACSDW1D68D12L26	2'0"	9.53"	1.13"	5.84"	13.30"	63.33"	N/A
	ACSDF1D68A12L26/ACSDW1D68A12L26	2'6"	9.53"	1.13"	8.84"	19.30"	63.33"	N/A
	ACSDF1D68B12L26/ACSDW1D68B12L26	2'8"	9.53"	1.13"	9.84"	21.30"	63.33"	N/A
	ACSDF1D68C12L26/ACSDW1D68C12L26	3'0"	9.53"	1.13"	11.84"	25.30"	63.33"	N/A

HEIGHT	ITEM	WIDTH	A	B	C	D	E	F
8'0"	ACSDF1D80D12L26/ACSDW1D80D12L26	2'0"	12.20"	1.13"	5.84"	13.30"	79.33"	N/A
	ACSDF1D80A12L26/ACSDW1D80A12L26	2'6"	12.20"	1.13"	8.84"	19.30"	79.33"	N/A
	ACSDF1D80B12L26/ACSDW1D80B12L26	2'8"	12.20"	1.13"	9.84"	21.30"	79.33"	N/A
	ACSDF1D80C12L26/ACSDW1D80C12L26	3'0"	12.20"	1.13"	11.84"	25.30"	79.33"	N/A

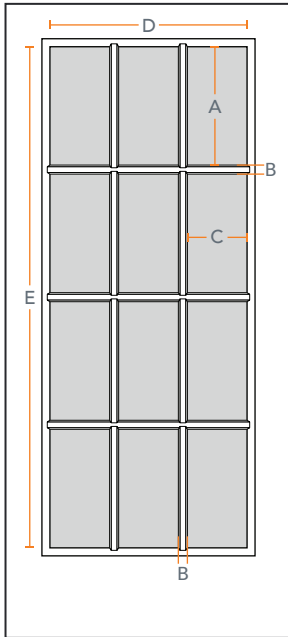
# SDL BARS NOVA 45 - 12 LITE

SMOOTH & FIR

6'8" & 8'0"

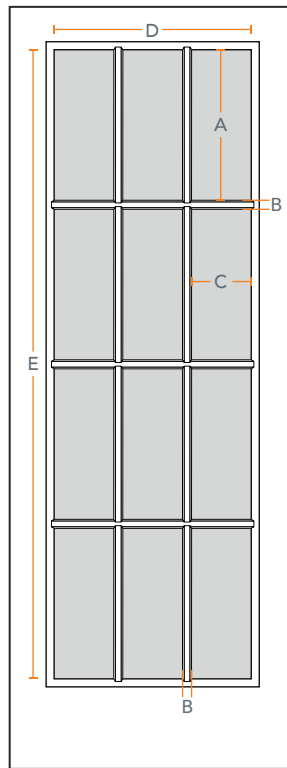
## AVAILABLE SIZING

ARTWORK SCALE: 1/2"=1'



**FIR - 12 LITE**  
ACSDF1D68-12L34

**SMOOTH - 12 LITE**  
ACSDW1D68-12L34



**FIR - 12 LITE**  
ACSDF1D80-12L34

**SMOOTH - 12 LITE**  
ACSDW1D80-12L34

## DIMENSIONS

HEIGHT	ITEM	WIDTH	A	B	C	D	E	F
6'8"	ACSDF1D68D12L34/ACSDW1D68D12L34	2'0"	14.86"	1.13"	3.52"	13.30"	63.33"	N/A
	ACSDF1D68A12L34/ACSDW1D68A12L34	2'6"	14.86"	1.13"	5.52"	19.30"	63.33"	N/A
	ACSDF1D68B12L34/ACSDW1D68B12L34	2'8"	14.86"	1.13"	6.12"	21.30"	63.33"	N/A
	ACSDF1D68C12L34/ACSDW1D68C12L34	3'0"	14.86"	1.13"	7.52"	25.30"	63.33"	N/A

HEIGHT	ITEM	WIDTH	A	B	C	D	E	F
8'0"	ACSDF1D80D12L34/ACSDW1D80D12L34	2'0"	18.86"	1.13"	3.52"	13.30"	79.33"	N/A
	ACSDF1D80A12L34/ACSDW1D80A12L34	2'6"	18.86"	1.13"	5.52"	19.30"	79.33"	N/A
	ACSDF1D80B12L34/ACSDW1D80B12L34	2'8"	18.86"	1.13"	6.12"	21.30"	79.33"	N/A
	ACSDF1D80C12L34/ACSDW1D80C12L34	3'0"	18.86"	1.13"	7.52"	25.30"	79.33"	N/A

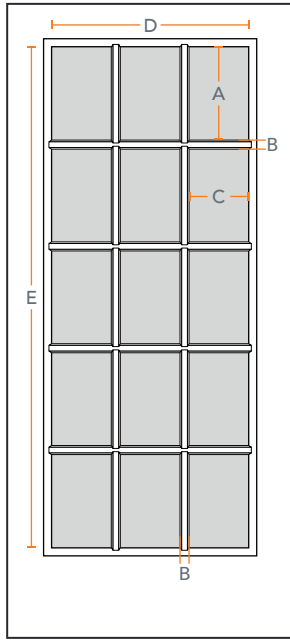
# SDL BARS NOVA 45 - 15 LITE

SMOOTH & FIR

6'8" & 8'0"

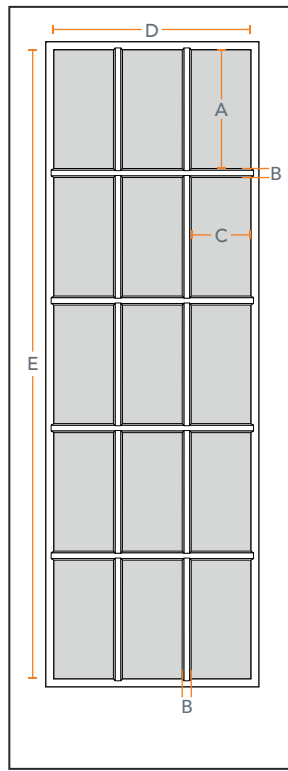
## AVAILABLE SIZING

ARTWORK SCALE: 1/2"=1'



**FIR - 15 LITE**  
ACSDF1D68-15L

**SMOOTH - 15 LITE**  
ACSDW1D68-15L



**FIR - 15 LITE**  
ACSDF1D80-15L

**SMOOTH - 15 LITE**  
ACSDW1D80-15L

## DIMENSIONS

HEIGHT	ITEM	WIDTH	A	B	C	D	E	F
6'8"	ACSDF1D68D15L/ACSDW1D68D15L	2'0"	11.66"	1.13"	3.52"	13.30"	63.33"	N/A
	ACSDF1D68A15L/ACSDW1D68A15L	2'6"	11.66"	1.13"	5.52"	19.30"	63.33"	N/A
	ACSDF1D68B15L/ACSDW1D68B15L	2'8"	11.66"	1.13"	6.12"	21.30"	63.33"	N/A
	ACSDF1D68C15L/ACSDW1D68C15L	3'0"	11.66"	1.13"	7.52"	25.30"	63.33"	N/A

HEIGHT	ITEM	WIDTH	A	B	C	D	E	F
8'0"	ACSDF1D80D15L/ACSDW1D80D15L	2'0"	14.86"	1.13"	3.52"	13.30"	79.33"	N/A
	ACSDF1D80A15L/ACSDW1D80A15L	2'6"	14.86"	1.13"	5.52"	19.30"	79.33"	N/A
	ACSDF1D80B15L/ACSDW1D80B15L	2'8"	14.86"	1.13"	6.12"	21.30"	79.33"	N/A
	ACSDF1D80C15L/ACSDW1D80C15L	3'0"	14.86"	1.13"	7.52"	25.30"	79.33"	N/A



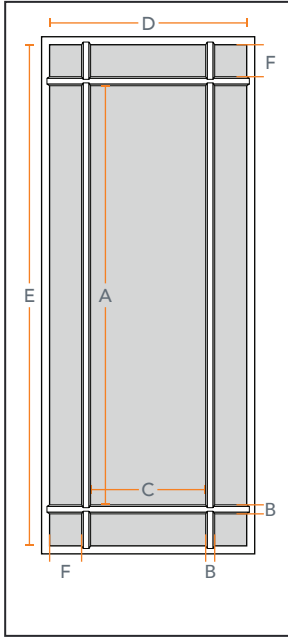
# SDL BARS NOVA 45 - 9 LITE

SMOOTH & FIR

6'8" & 8'0"

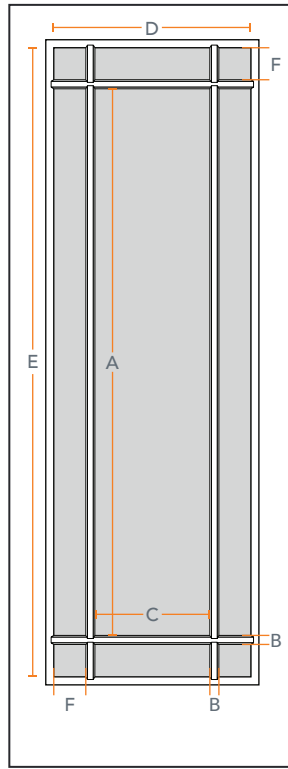
## AVAILABLE SIZING

ARTWORK SCALE: 1/2"=1'



**FIR - 9 LITE**  
ACSDF1D68-9LQ

**SMOOTH - 9 LITE**  
ACSDW1D68-9LQ



**FIR - 9 LITE**  
ACSDF1D80-9LQ

**SMOOTH - 9 LITE**  
ACSDW1D80-9LQ

## DIMENSIONS

HEIGHT	ITEM	WIDTH	A	B	C	D	E	F
6'8"	ACSDF1D68D9LQ/ACSDW1D68D9LQ	2'0"	52.56"	1.13"	2.56"	13.30"	63.33"	4"
	ACSDF1D68A9LQ/ACSDW1D68A9LQ	2'6"	52.56"	1.13"	8.56"	19.30"	63.33"	4"
	ACSDF1D68B9LQ/ACSDW1D68B9LQ	2'8"	52.56"	1.13"	10.56"	21.30"	63.33"	4"
	ACSDF1D68C9LQ/ACSDW1D68C9LQ	3'0"	52.56"	1.13"	14.56"	25.30"	63.33"	4"

HEIGHT	ITEM	WIDTH	A	B	C	D	E	F
8'0"	ACSDF1D80D9LQ/ACSDW1D80D9LQ	2'0"	68.56"	1.13"	2.56"	13.30"	79.33"	4"
	ACSDF1D80A9LQ/ACSDW1D80A9LQ	2'6"	68.56"	1.13"	8.56"	19.30"	79.33"	4"
	ACSDF1D80B9LQ/ACSDW1D80B9LQ	2'8"	68.56"	1.13"	10.56"	21.30"	79.33"	4"
	ACSDF1D80C9LQ/ACSDW1D80C9LQ	3'0"	68.56"	1.13"	14.56"	25.30"	79.33"	4"

## DOORLITE SERIES

A beautifully designed entryway helps set the stage for the rest of the home and creates a welcoming passage from public space to private abode. Nothing accompanies that transition better than our exclusive glass designs, which improve the look and value of the home.

Our doorlites are composed of a piece of decorative glass sealed between two pieces of tempered safety glass that provides exceptional security, soundproofing, and thermal performance. The state-of-the-art Warm Edge spacer system provides a seal that protects and insulates the door and home for years to come. Unlike the competition, our metal coming includes a gasket that cushions and protects the glass from chipping, cracking, and rattling during door movement.

**PG 200 - 204**

# GLASS SIZES & CUTOUT CODES

<b>341</b> 8" x 48"	<b>342</b> 22" x 48"	<b>343</b> 25" x 48"	<b>344</b> 24 1/4" x 38"	<b>346</b> 29 3/8" x 50 1/4"	<b>3R4</b> 24 1/4" x 38"	<b>3R5</b> 25 3/8" x 50 1/4"
<b>3R6</b> 29 3/8" x 50 1/4"	<b>3V1</b> 7" x 39 1/2"	<b>3V2</b> 16.78" x 38.72"	<b>3V3</b> 13" x 53"	<b>8C1</b> 8" x 41"	<b>8C2</b> 9 3/4" x 41"	<b>8C3</b> 9 1/2" x 57 1/4"
<b>9P1</b> 7 1/2" x 18 1/2"	<b>EYE</b> 11 20/61" x 36 3/4"	<b>FL1</b> 7" x 64"	<b>FL2</b> 8" x 80"	<b>FL5</b> 20" x 64"	<b>FL6</b> 20" x 80"	<b>FL7</b> 22" x 64"
<b>FL8</b> 22" x 80"	<b>HL2</b> 8" x 36"	<b>HL3</b> 20" x 36"	<b>HL4</b> 22" x 36"	<b>HL6</b> 25 1/2" x 50"	<b>HR1</b> 22" x 10"	<b>TL1</b> 25 1/2" x 8 1/4"
<b>TL3</b> 25" x 15"	<b>TL5</b> 20" x 8 1/4"	<b>TR1R</b> 63" x 12"	<b>TR2R</b> 66 1/2" x 13"			

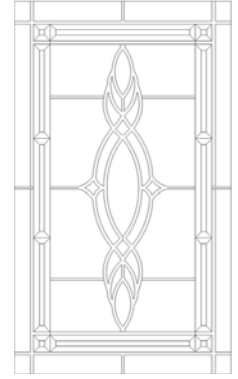
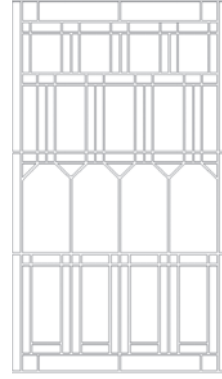
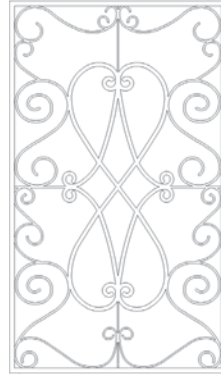
## GLASS &amp; SIZE

## CAMELIA

## PRISCILLA

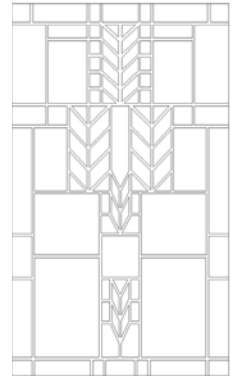
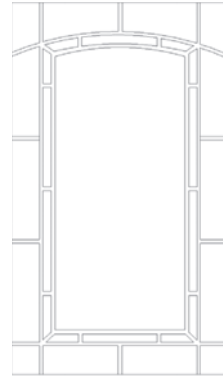
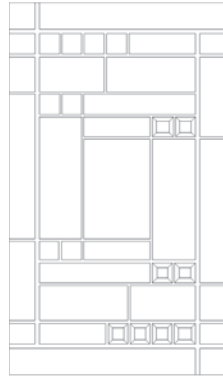
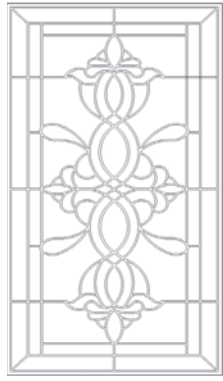
## ARTESANO BREEZE

## BRENTWOOD



341	8" x 48"			■	■
342	22" x 48"	■	■	■	■
343	25" x 48"				
344	24 1/4" x 38"	■	■		
346	29 3/8" x 50 1/4"	■	■		
3R4	24 1/4" x 38"	■	■		
3R5	25 3/8" x 50 1/4"	■	■		
3R6	29 3/8" x 50 1/4"	■	■		
3V1	7" x 39 1/2"				■
3V2	16.78" x 38.72"				■
3V3	13" x 53"				■
8C1	8" x 41"	■	■	■	■
8C2	9 3/4" x 41"	■	■	■	■
8C3	9 1/2" x 57 1/4"				■
9P1	7 1/2" x 18 1/2"				■
EYE	11 20/61" x 36 3/4"				■
FL1	7" x 64"	■	■	■	■
FL2	8" x 80"	■	■	■	■
FL5	20" x 64"	■	■	■	
FL6	20" x 80"	■	■		
FL7	22" x 64"	■	■	■	■
FL8	22" x 80"	■	■	■	■
HL2	8" x 36"			■	■
HL3	20" x 36"			■	
HL4	22" x 36"			■	■
HL6	25 1/2" x 50"	■	■		
HR1	22" x 10"				
TL1	25 1/2" x 8 1/4"			■	
TL3	25" x 15"			■	■
TL5	20" x 8 1/4"			■	
TR1R	63" x 12"	■	■	■	■
TR2R	66 1/2" x 13"	■	■	■	■

GLASS & SIZE	CASTILE	KENSINGTON	SOLSTICE	SPRING
--------------	---------	------------	----------	--------



341	8" x 48"	■	■	■	■
343	25" x 48"	■	■	■	■
342	22" x 48"	■			
344	24 1/4" x 38"				
346	29 3/8" x 50 1/4"				
3R4	24 1/4" x 38"				
3R5	25 3/8" x 50 1/4"				
3R6	29 3/8" x 50 1/4"				
3V1	7" x 39 1/2"	■			
3V2	16.78" x 38.72"	■			
3V3	13" x 53"	■			
8C1	8" x 41"				
8C2	9 3/4" x 41"				
8C3	9 1/2" x 57 1/4"	■			
9P1	7 1/2" x 18 1/2"				■
EYE	11 20/61" x 36 3/4"				
FL1	7" x 64"	■	■	■	■
FL2	8" x 80"	■	■	■	■
FL5	20" x 64"	■	■	■	
FL6	20" x 80"				
FL7	22" x 64"	■	■	■	■
FL8	22" x 80"	■	■	■	
HL2	8" x 36"	■	■	■	■
HL3	20" x 36"	■	■	■	
HL4	22" x 36"	■	■	■	■
HL6	25 1/2" x 50"	■			■
HR1	22" x 10"	■			
TL1	25 1/2" x 8 1/4"				■
TL3	25" x 15"			■	■
TL5	20" x 8 1/4"				
TR1R	63" x 12"	■	■	■	■
TR2R	66 1/2" x 13"	■	■	■	■



# TESTING RESULTS

---

<b>ASTM D1761</b>	Screw holding capacity.
<b>NWWDA TM-7</b>	Cycle slam test.
<b>NWWDA TM-8</b>	Hinge load resistance test.
<b>ASTM E 283</b>	Air infiltration.
<b>ASTM E 331 / E 547</b>	Water resistant.
<b>ASTM E 330</b>	Uniform structural load.
<b>ASTM E1886 / E1996</b>	Impact / cycle test.
<b>AAMA 1304</b>	Forced entry resistance test.
<b>TAS 201</b>	Impact test.
<b>TAS 202</b>	Air / water / structural test.
<b>TAS 203</b>	Wind pressure cycle test.
<b>NFRC 100 / 200 / 500</b>	Energy efficiency.
<b>ASTEM E90 / STC / OITC</b>	Sound transmission.
<b>ULC 10 C / NFPA 252 / ASTM E 2074</b>	Fire rated.
<b>CDPH / EHLB METHOD V1.1 2010</b>	Volatile organic chemical emission test.
<b>JIS Z 2801:2001</b>	Antimicrobial products test.
<b>ASTM D1413-07</b>	Antifungal wood plastic composite test.
<b>CSFM 12-7A-1</b>	Exterior wildfire exposure test.
<b>AAMA 1702</b>	Exterior door test for manufactured housing.
<b>AAMA 920</b>	Operating cycle test.
<b>AAMA / WDMA / CSA 101 / I.S./A440 (NAFS)</b>	North America fenestration test.

The PLASTPRO DOOR met requirements for sawing, planing, routing, boring, drilling and chiseling. For more specific results, please see our website at [www.plastproinc.com](http://www.plastproinc.com) or contact our Customer Service Department at 1 (800) 779-0561.



WARNING: These products may include styrene, titanium dioxide, and wood dust, which are known to the State of California to cause cancer. For more information go to [www.p65warnings.ca.gov](http://www.p65warnings.ca.gov)



[www.plastproinc.com](http://www.plastproinc.com)

5200 W. Century Blvd, 9th Floor ■ Los Angeles, CA 90045

Phone: (800) 779-0561 ■ Fax: (310) 693-8620



© 2024 Plastpro Inc. All Rights Reserved

Product # MKLSB2024 Updated Jan 2024