

# SHAKER DIRECT GLAZED

**CRAFTSMAN SERIES** AVAILABLE WIDTHS  
6'8" or 8'0" TOP LITE DOOR Doors: 3'0" Sidelites: 1'0" or 1'2"

The Direct Glazed Shaker Craftsman allows natural light to flood into the home through a clean, timeless, and stunning design. A top lite brightens the popular Craftsman Series without and smooth finishes, features LowE 272 glass with matching sidelites, and can be paired with optional 3 Lite and 6-Lite Simulated Divider Lites (SDL) Kits and dentil shelves.

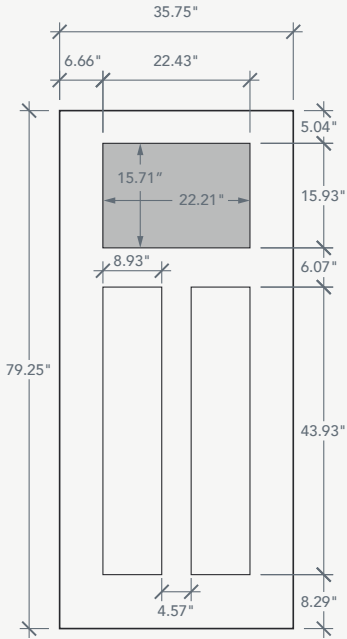
## AVAILABLE MODELS



## CLASSIC ACCESSORIES

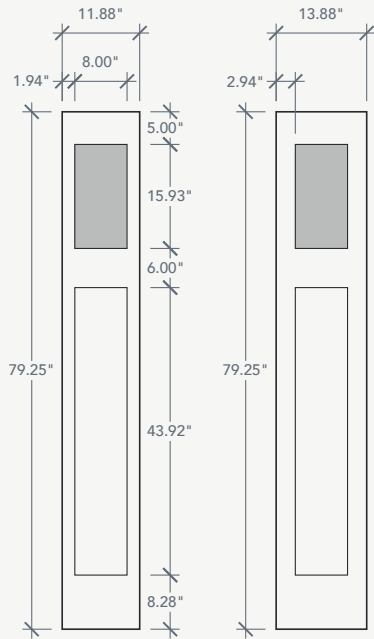


**6'8" - DRF3SL / DRS3SL**



**3' 0" x 6' 8"**

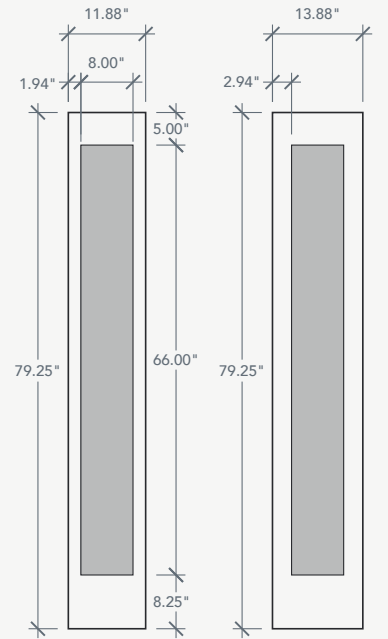
**6'8" - SLF3SL / SLS3SL**



**1' 0" x 6' 8"**

**1' 2" x 6' 8"**

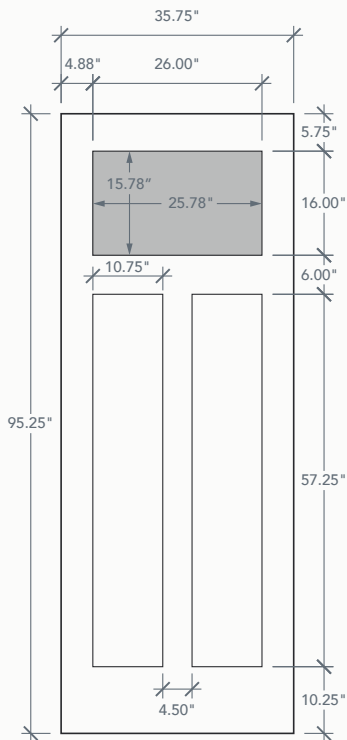
**6'8" - SLF3FL / SLS3FL**



**1' 0" x 6' 8"**

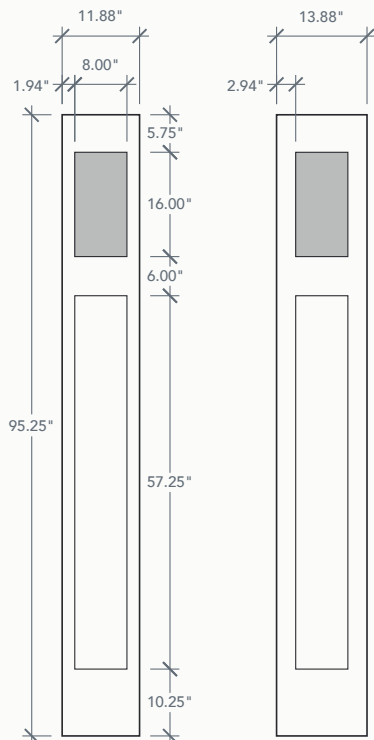
**1' 2" x 6' 8"**

**8'0" - DRF3S80L / DRS3S80L**



**3' 0" x 8' 0"**

**8'0" - SLF3S80L / SLS3S80L**



**1' 0" x 8' 0"**

**1' 2" x 8' 0"**

# SHAKER DIRECT GLAZED

**CRAFTSMAN SERIES**

6'8" or 8'0" TOP LITE DOOR

**AVAILABLE WIDTHS**

Doors: 3'0" Sidelites: 1'0" or 1'2"

